

ELKAY[®]

SPECIFICATIONS

Sink Accessories

Models LKS35 Series Drain and LKD35 Series Disposer Flange Fitting

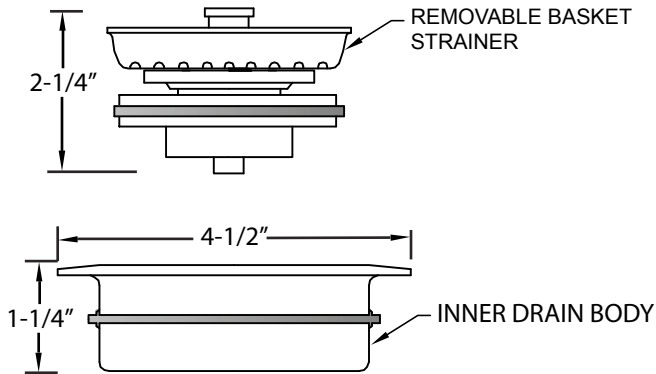
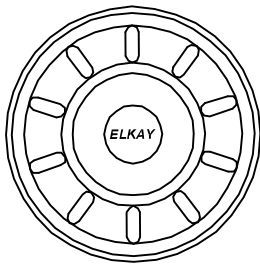
GENERAL

LKS35 Polymer drain outlet fitting with removable basket strainer. Designed to fit 3-1/2" drain opening with an overall flange size of 4-1/2". Max sink thickness: 1-1/4".

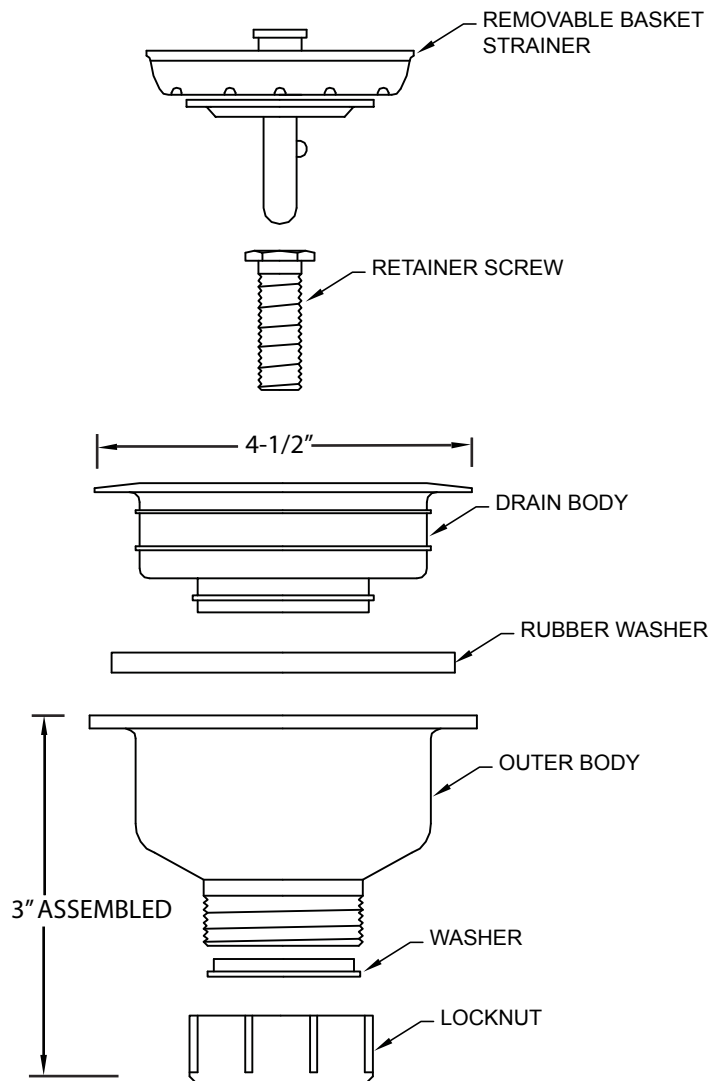
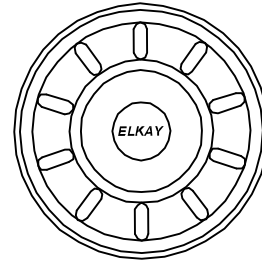
LKD35 Polymer disposer flange fitting with removable basket strainer. Designed to snap over most garbage disposal drain bodies. Overall flange size is 4-1/2".

MODELS

- LKS35BK Black color.
- LKS35BQ Bisque color.
- LKS35MC Mocha color.
- LKS35WH White color.
- LKD35BK Black color.
- LKD35BQ Bisque color.
- LKD35MC Mocha color.
- LKD35WH White color.



Model LKD35 Series Illustrated



Model LKS35 Series Illustrated

ALL DIMENSIONS IN INCHES, TO CONVERT TO MILLIMETERS MULTIPLY BY 25.4.

In keeping with our policy of continuing product improvement, Elkay reserves the right to change product specifications without notice.

This specification describes an Elkay product with design, quality and functional benefits to the user. When making a comparison of other producers' offerings, be certain these features are not overlooked.