

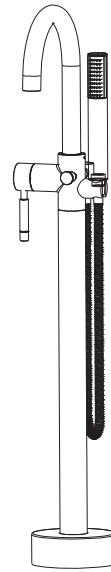
## MODEL 7550 - Contemporary Free Standing Tub Filler with Hand Shower

### Before Your Installation

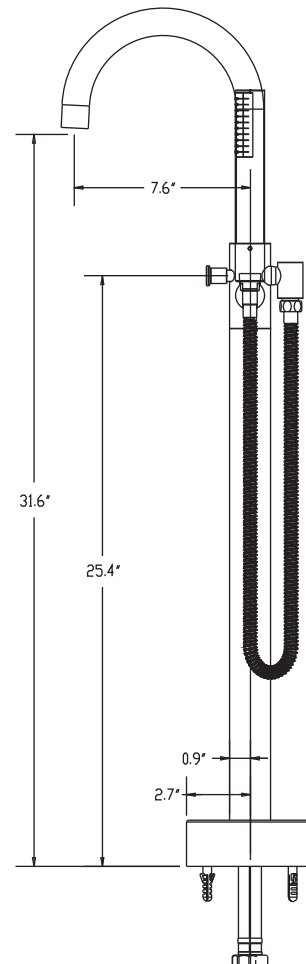
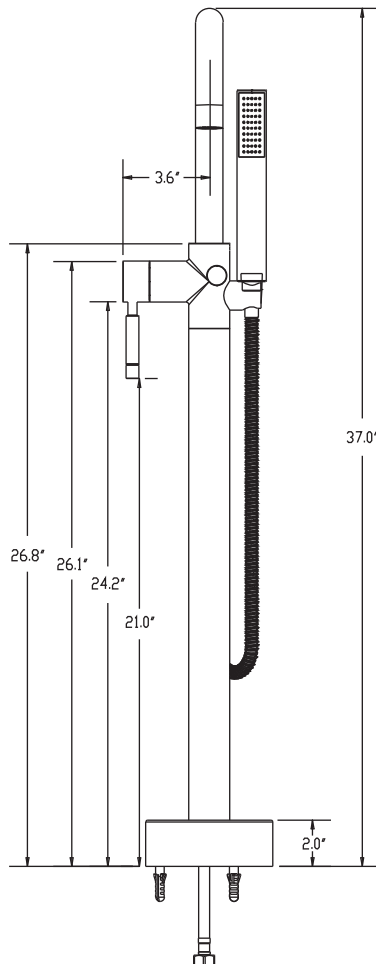
- Read all instructions carefully.
- Assemble all tools.
- Turn off main water supply before removing old faucet and fixtures.
- Clean surface before installing new faucet.
- Insert a cloth or stopper into drain to prevent small parts from getting lost.

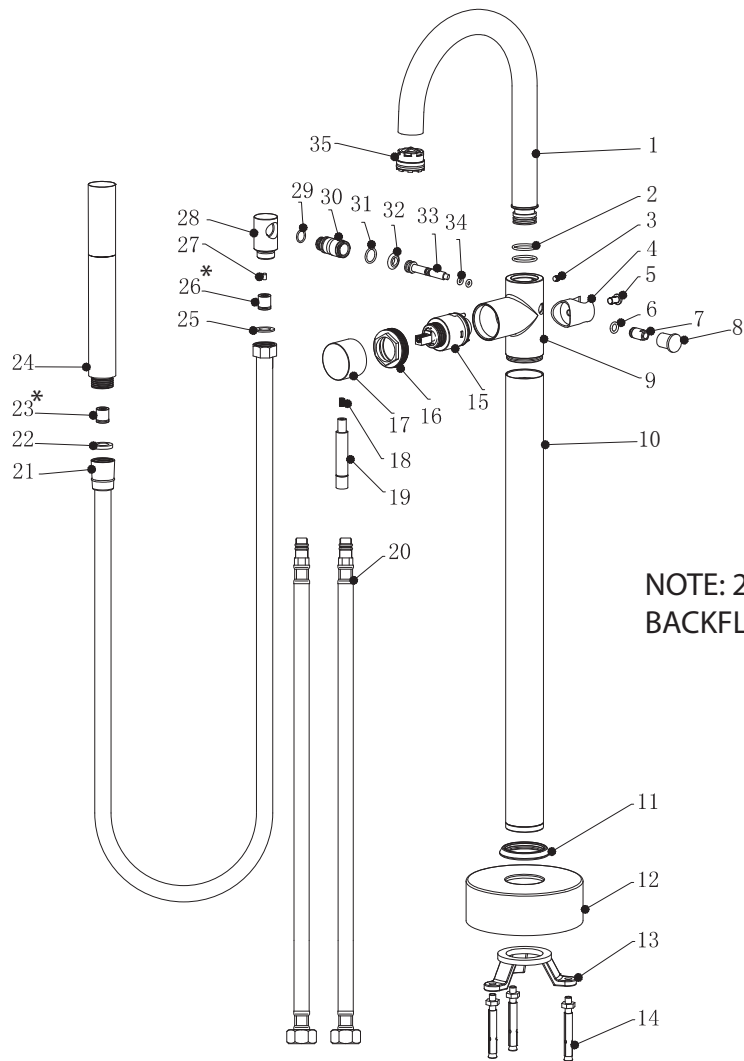
### Tips for Successful Installations

- Use joint compound or Teflon® tape on all threaded connections to prevent leaks.
- Use a soft cloth to protect the faucets finish when using a wrench, pliers or other tools that could scratch the faucet.
- Tighten all hose connections by hand. Do not over tighten.
- Before turning main water supply back on, open several faucets around the house to prevent pressure from building up.
- Remove aerator from faucet before turning on water. Flush drain for several minutes before replacing aerator. DO NOT use joint compound or Teflon® tape to reconnect aerator.



### Specification Sheet





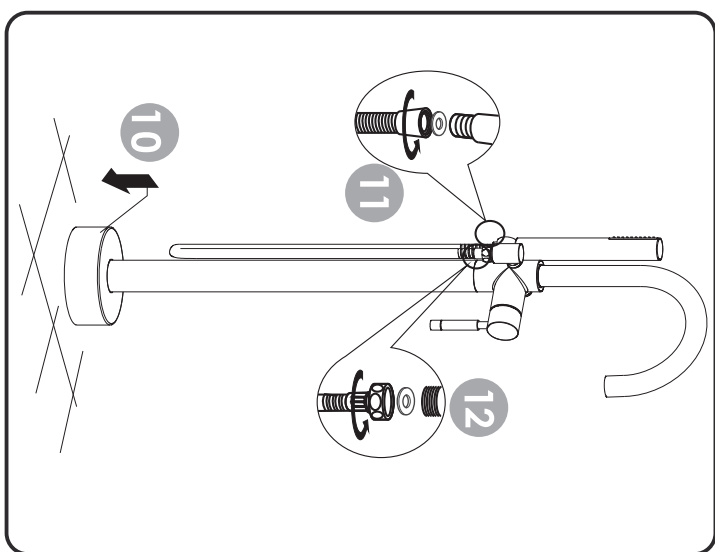
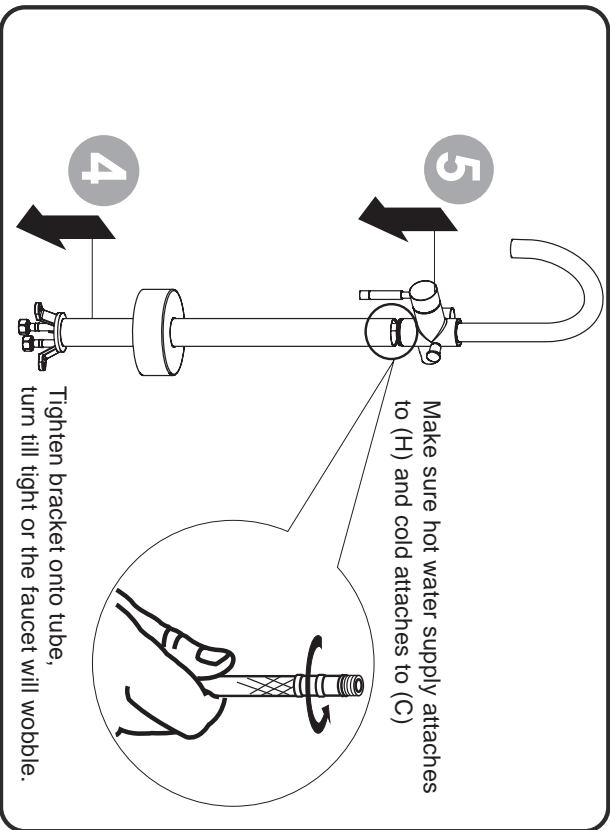
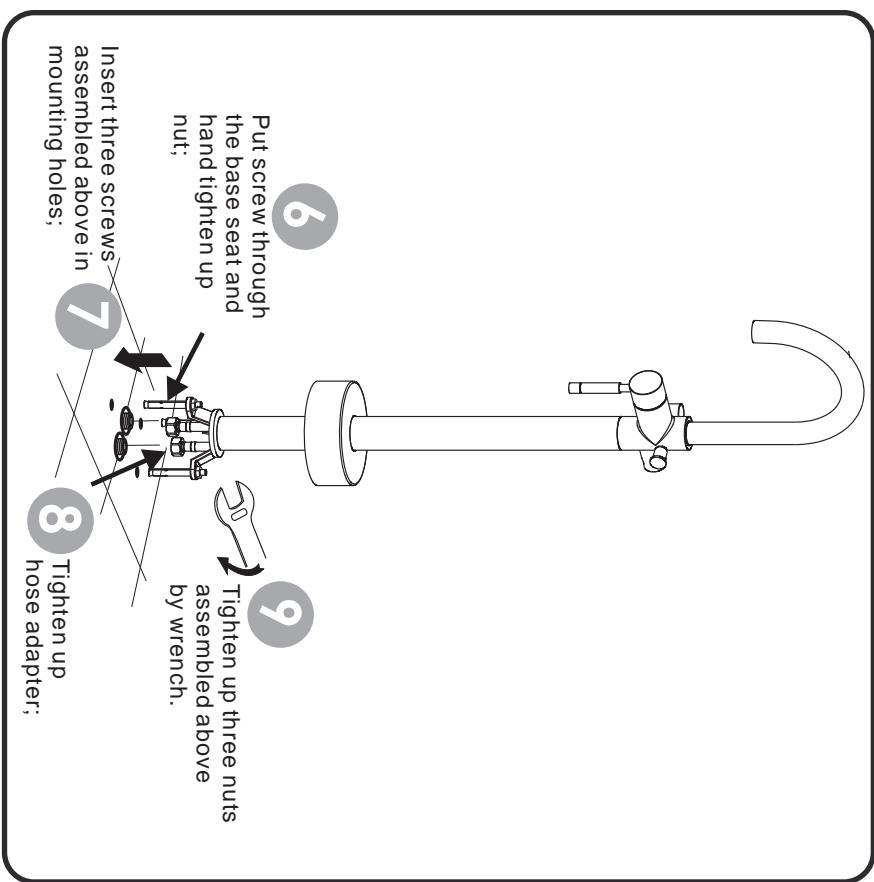
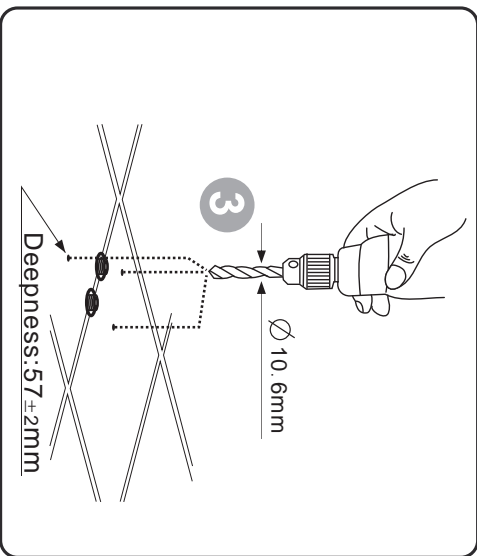
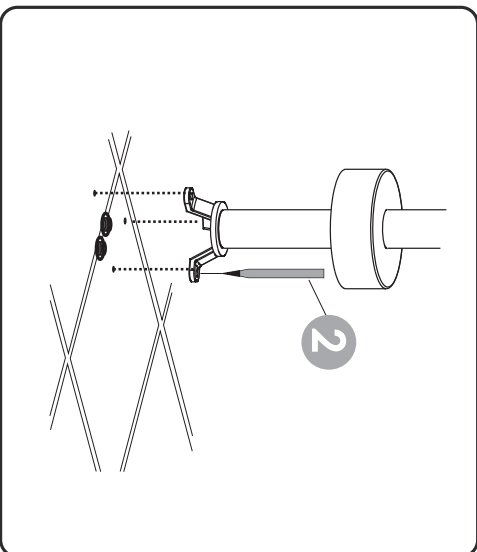
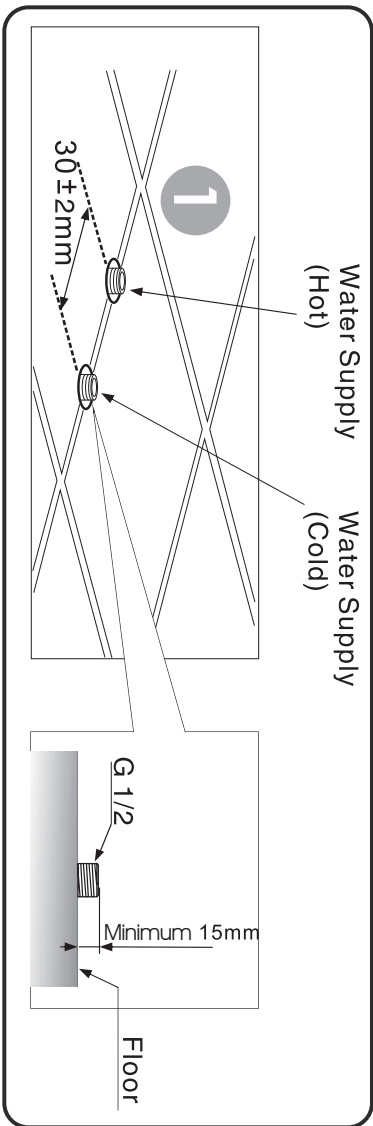
NOTE: 23\* and 26\* - DUAL CHECK VALVES - BACKFLOW PREVENTION DEVICES

Component Parts List

#	PART NAME	QTY.
01	SPOUT	1
02	O-RING	2
03	SET SCREW	1
04	HAND SHOWER HOLDER	1
05	RETAINING SCREW	1
06	O-RING	1
07	INSERT, CYLINDER	1
08	END CAP	1
09	MAIN HOUSING	1
10	DECORATIVE TUBE	1
11	RUBBER RING	1
12	BONNET	1
13	MOUNTING BRACKET	1
14	SCREWS	3
15	CERAMIC DISC CARTRIDGE	1
16	CARTRIDGE RETAINING NUT	1
17	HANDLE CAP	1
18	SCREW	1
19	LEVER HANDLE	1
20	HOT AND COLD SUPPLY LINES	1 ea

21	SHOWER HOSE	1
22	FLOW REGULATOR	2
23*	CHECK VALVE	1
24	HAND SHOWER	1
25	RUBBER WASHER	1
26*	CHECK VALVE	1
27	SCREW	1
28	ELBOW	1
29	O-RING	1
30	HOUSING, CYLINDER	1
31	O-RING	1
32	RUBBER RING	1
33	PLUNGER	1
34	SCREW	1
35	AERATOR	1





Double check the entire installation for any leaks, and to make sure the faucet is functioning properly.