

**PRODUCT SPECIFICATIONS**

Elkay Harmony Stainless Steel 33" x 22" x 9", Equal Double Bowl Dual Mount Sink with Perfect Drain. Sink is manufactured from 18 gauge 304 Stainless Steel with a Lustrous Highlighted Satin finish, Rear Center drain placement, and Sound Guard.

|                              |   |
|------------------------------|---|
| <b>Installation Type:</b>    | Top Mount, Undermount   |
| <b>Material:</b>             | 304 Stainless Steel   |
| <b>Special Features:</b>     | Perfect Drain, Slim Rim   |
| <b>Finish:</b>               | Lustrous Highlighted Satin  |
| <b>Gauge:</b>                | 18  |
| <b>Sound Deadening:</b>      | Sound Guard   |
| <b>Number of Bowls:</b>      | 2   |
| <b>Sink Dimensions:</b>      | 33" x 22" x 9"  |
| <b>Bowl 1 Dimensions:</b>    | 14-1/2" x 18-5/16" x 9"   |
| <b>Bowl 2 Dimensions:</b>    | 14-1/2" x 18-5/16" x 9"   |
| <b>Drain Size:</b>           | 3-3/8" (86mm)   |
| <b>Drain Location:</b>       | Rear Center   |
| <b>Minimum Cabinet Size:</b> | 36"   |
| <b>Mounting Hardware:</b>    | Part # 64090014 included for top mount installation for countertops up to 3/4" (19mm) thick |
| <b>Cutout Template #:</b>    | <a href="#">1000000358</a>  |

Template is available for download at [elkay.com](#)

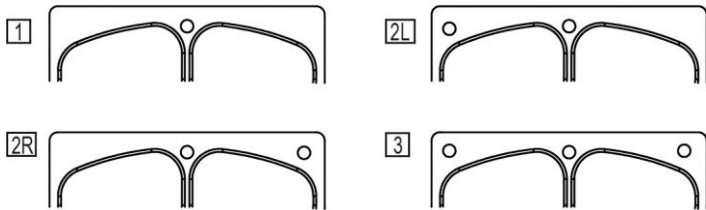
**Cutout Dimensions for Top Mount Installation:**

32-3/8" x 21-3/8" (822mm x 543mm) with 1-1/2" (38mm) corner radius

**Perfect Drain:** Seamlessly welded stainless steel collar eliminates the gap between a traditional drain and the sink for a sanitary and gap free installation. An InSinkErator® garbage disposer can be installed on either sink bowl for user convenience. **Patent Pending**

**Hole Drilling Configurations:**

1-1/2" (38mm) Diameter Faucet Holes



**Included with Product:** Two LKPD1 Perfect Drain Strainer Assemblies

AMERICAN PRIDE. A LIFETIME TRADITION. Like your family, the Elkay family has values and traditions that endure. For almost a century, Elkay has been a family-owned and operated company, providing thousands of jobs that support our families and communities.



Sinks are listed by IAPMO® as meeting the applicable requirements of the Uniform Plumbing Code®, International Plumbing Code®, and National Plumbing Code of Canada.

**Product Compliance:** ASME A112.19.3/CSA B45.4  
BUY AMERICAN ACT  
Accessory: ASME A112.18.2/CSA B125.2

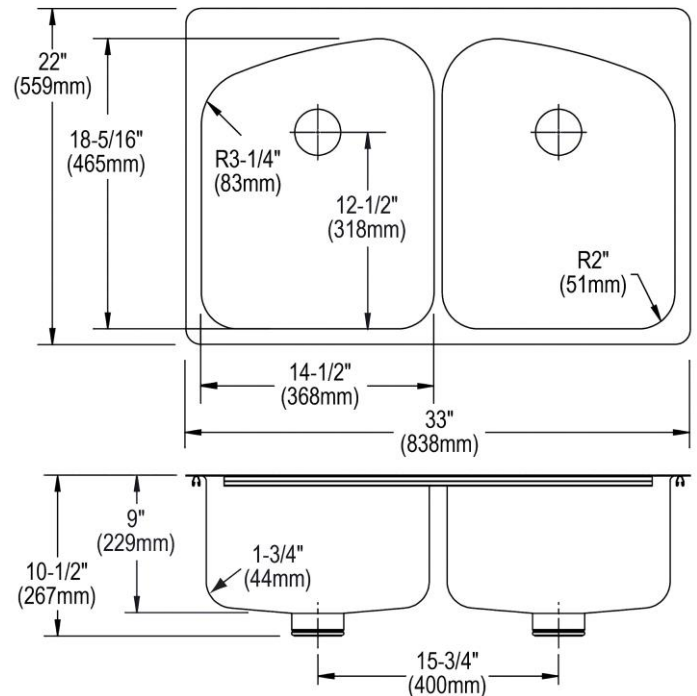
[Clean and Care Manual \(PDF\)](#)

[Installation Instructions \(PDF\) - 0000000370](#)

[Installation Instructions \(PDF\) - 74180289 Disposer](#)

[Installation Instructions \(PDF\) - 74180340-USA Drain](#)

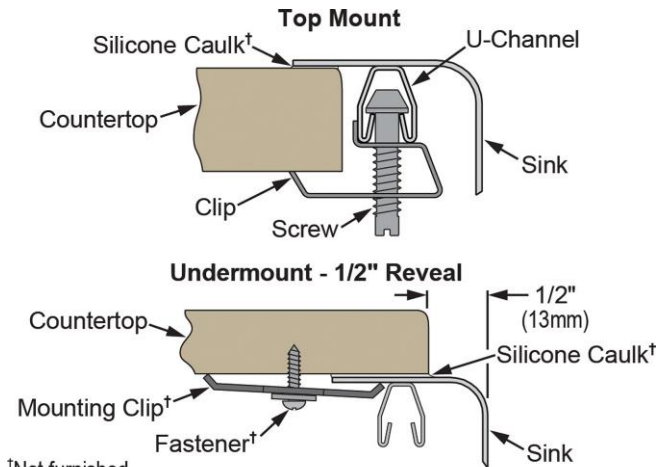
[Limited Lifetime Warranty \(PDF\)](#)



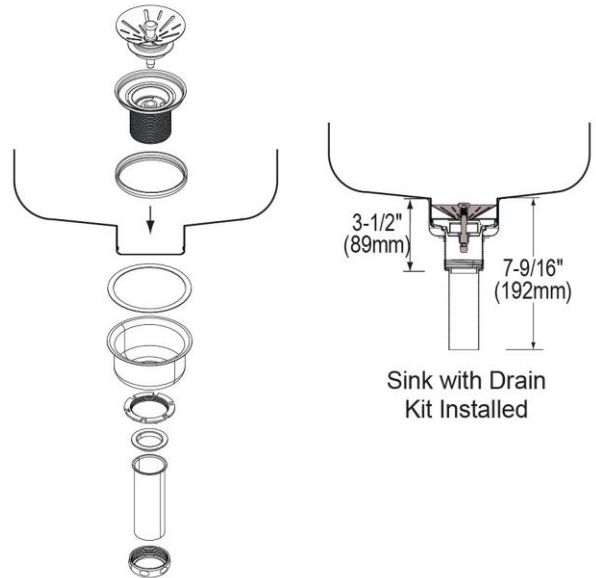
PART: \_\_\_\_\_ QTY: \_\_\_\_\_  
 PROJECT: \_\_\_\_\_  
 CONTACT: \_\_\_\_\_  
 DATE: \_\_\_\_\_  
 NOTES: \_\_\_\_\_  
 APPROVAL: \_\_\_\_\_

In keeping with our policy of continuing product improvement, Elkay reserves the right to change product specifications without notice. Please visit [elkay.com](#) for the most current version of Elkay product specification sheets. This specification describes an Elkay product with design, quality, and functional benefits to the user. When making a comparison of other producers' offerings, be certain these features are not overlooked.

**Installation Profile:**



†Not furnished  
Designed to affix to the underside of any solid surface countertop.



**OPTIONAL ACCESSORIES**

|                       |  |
|-----------------------|--|
| <b>Bottom Grid:</b>   | LKWOBG1520LSS (left bowl),<br>LKWOBG1520RSS (right bowl) |
| <b>Cutting Board:</b> | LKCB1520LUHW, LKCB1520LTHW                               |
| <b>Hardware:</b>      | LKUCLIP8   |
| <b>Sinkmate:</b>      | LKSM17, LKSMHOOK,<br>LKSMSPONGE, LKSMHSL                 |

**in sink erator**<sup>®</sup>

Elkay<sup>®</sup> Perfect Drain<sup>™</sup> sinks are designed and approved for compatible disposers manufactured by InSinkErator<sup>®</sup> utilizing the Quick Lock<sup>®</sup> mounting configuration. Use of non-approved disposers may void Elkay warranty.

InSinkErator, Quick Lock and the mounting collar configuration are trademarks of Emerson Electric Co.



In keeping with our policy of continuing product improvement, Elkay reserves the right to change product specifications without notice. Please visit [elkay.com](http://elkay.com) for the most current version of Elkay product specification sheets. This specification describes an Elkay product with design, quality, and functional benefits to the user. When making a comparison of other producers' offerings, be certain these features are not overlooked.