

ELKAY[®]

SPECIFICATIONS

Avado™

Undermount Single Bowl Sink

Models EFRU2115 and EFRU211510

GENERAL

Highest quality sink fabricated of #16 (1.6mm) gauge, type 304 (18-8) nickel bearing stainless steel. Undermount.

DESIGN FEATURES

Bowl Depth: 8" (203mm) (EFRU2115), 10" (254mm) (EFRU211510).

Coved Corners: Approximately 5/8" (15mm).

Finish: Exposed surfaces have a Polished Satin finish.

Underside: Fully protected by heavy duty Sound Guard[®] undercoating designed to reduce condensation and dampen sound.

OTHER

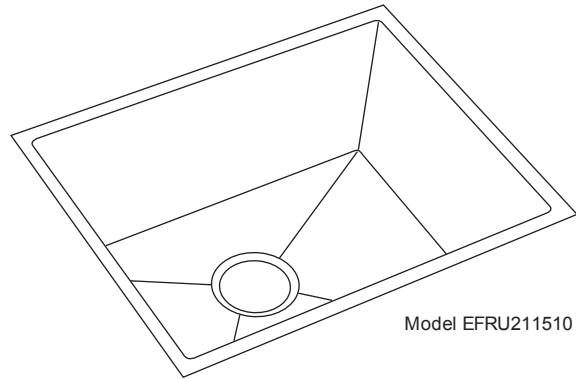
Drain Opening: 3-1/2" (89mm).

NOTE: All Elkay undermount sinks are designed to attach to the underside of any solid surface countertop.

Sink complies with ASME A112.19.3-2008 / CSA B45.4-08



These sinks are listed by the International Association of Plumbing and Mechanical Officials as meeting the requirements of the Uniform Plumbing Code.



Model EFRU211510

SINK PACKAGE(S)

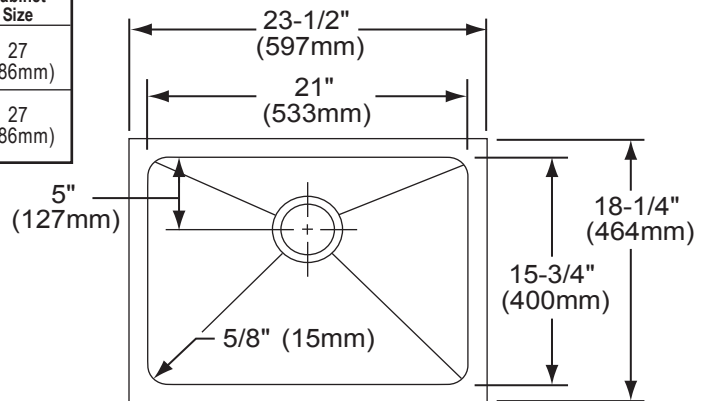
MODEL	SINK	BOTTOM GRID	QTY	DRAIN	QTY
EFRU2115DBG	EFRU2115	LKFOBG2115SS	1	LK99	1
EFRU211510DBG	EFRU211510	LKFOBG2115SS	1	LK99	1

SINK DIMENSIONS*

Model Number	Overall		Inside Bowl			Cutout in Countertop	Minimum Cabinet Size
	L	W	L	W	D		
EFRU2115	23 1/2 (597mm)	18 1/4 (464mm)	21 (533mm)	15 3/4 (400mm)	8 (203mm)	See Template**	27 (686mm)
EFRU211510	23 1/2 (597mm)	18 1/4 (464mm)	21 (533mm)	15 3/4 (400mm)	10 (254mm)	See Template**	27 (686mm)

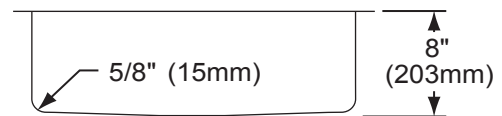
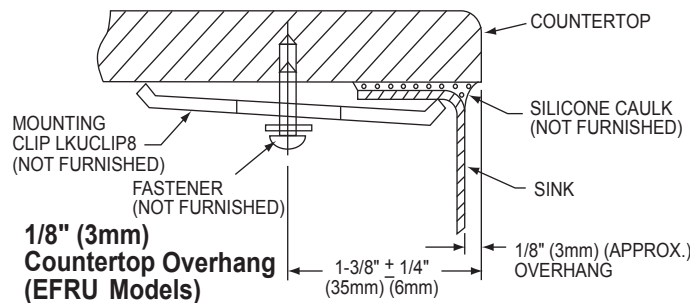
*Length is left to right. Width is front to back.

**Template is packed with every sink.



Installation Profile of EFRU Models

The template provided with each EFRU sink provides the only type of installation recommended by Elkay



Model EFRU2115 Illustrated



Model EFRU211510 Illustrated

In keeping with our policy of continuing product improvement, Elkay reserves the right to change product specifications without notice. Please visit elkayusa.com for most current version of Elkay product specification sheets.

This specification describes an Elkay product with design, quality and functional benefits to the user. When making a comparison of other producers' offerings, be certain these features are not overlooked.

Elkay

elkayusa.com

2222 Camden Court
Oak Brook, IL 60523

Printed in U.S.A.
©2010 Elkay

(Rev. 01/10)

1-266C

ELKAY[®]

SPECIFICATIONS

Avado™
Undermount Single Bowl Sink
Models EFRU2115 and EFRU211510

OPTIONAL ACCESSORIES

Mounting Clips: LKUCLIP8

Utensil Caddy for Rinsing Basket: LKWUCSS

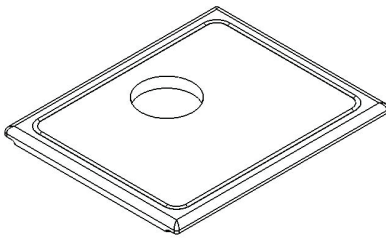
Drain: LK99

For Additional Accessories see table below

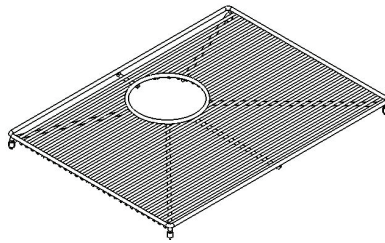
Model Number	Description	Overall			Material/Finish
		L	W	Depth/Thickness	
LKCBF2115HW	Cutting Board**	20-1/2" (521mm)	16-5/8" (422mm)	1" (25mm)	Hardwood
LKFOBG2115SS	Bottom Grid	20" (508mm)	14-3/4" (375mm)	1-1/8" (29mm)	Polished stainless steel
LKFRB2115SS	Rinsing Basket	20" (508mm)	14-3/4" (375mm)	5 5/16" (135mm)	Polished stainless steel

*Length is left to right. Width is front to back.

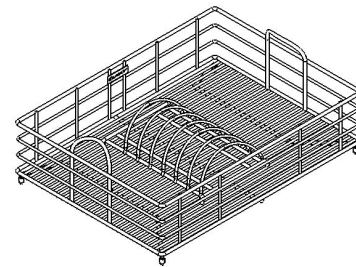
** Fits countertop opening



LKCBF2115HW



LKFOBG2115SS



LKFRB2115SS

In keeping with our policy of continuing product improvement, Elkay reserves the right to change product specifications without notice. Please visit elkayusa.com for most current version of Elkay product specification sheets.

This specification describes an Elkay product with design, quality and functional benefits to the user. When making a comparison of other producers' offerings, be certain these features are not overlooked.

Elkay

elkayusa.com

2222 Camden Court
 Oak Brook, IL 60523

Printed in U.S.A.
 ©2010 Elkay

(Rev. 01/10)

1-266C