

# ELKAY<sup>®</sup>

## SPECIFICATIONS

### Gourmet Undermount Sink with Perfect Drain™

#### Models ELUH3120LPD and ELUH3120RPD

#### GENERAL

Highest quality sink formed of #18 (1.2mm) gauge, type 304 (18-8) nickel bearing stainless steel with **Perfect Drain**. Undermount.

#### DESIGN FEATURES

Bowl Depth: 7-7/8"(200mm), Overall depth: 9-3/8"(238mm) (Small Bowl)  
9-7/8"(251mm), Overall depth: 11-3/8"(289mm)(Large Bowl)

Coved Corners: 1-3/4" (44mm) vertical and horizontal radius.

Finish: Exposed surfaces are hand blended to a Lustrous Highlighted Satin Finish.

Underside: Fully protected by Sound Guard<sup>®</sup> undercoating to reduce condensation and dampen sound.

**Perfect Drain:** Seamlessly welded stainless steel collar eliminates the gap between a traditional drain and the sink for a sanitary and gap free installation.

Each sink shipped with two LKPD1 drain kits, or a garbage disposer can be installed on either sink bowl for user convenience.

#### Patent Pending

#### OTHER

Drain opening: 3-3/8" (86mm)

Suffix L (left) or R (right) denotes location of the small bowl.

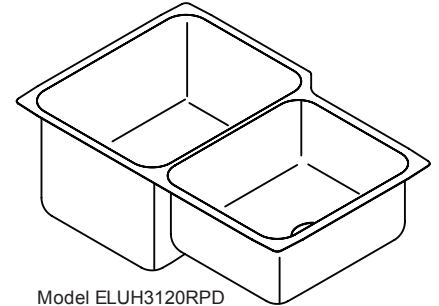
NOTE: All Elkay undermount sinks are designed to affix to the underside of any solid surface countertop.

Waste Fitting complies with ASME A112.18.2/CAN/CSA-B125.2

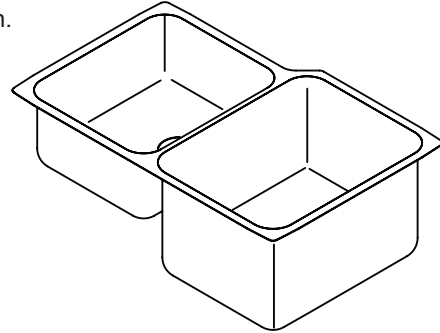
Sink complies with ASME A112.19.3-2008 / CSA B45.4-08.



These sinks are listed by the International Association of Plumbing and Mechanical Officials as meeting the requirements of the Uniform Plumbing Code and the National Plumbing Code of Canada.



Model ELUH3120RPD



Model ELUH3120LPD

#### SINK PACKAGE(S)

MODEL	SINK	BOTTOM GRID	QTY	DRAIN	QTY
ELUH3120LPDBG	ELUH3120LPD	LKWOBG1418SS	1	LKPD1	2
ELUH3120RPDBG	ELUH3120RPD	LKWOBG1418SS	1	LKPD1	2

#### OPTIONAL ACCESSORIES

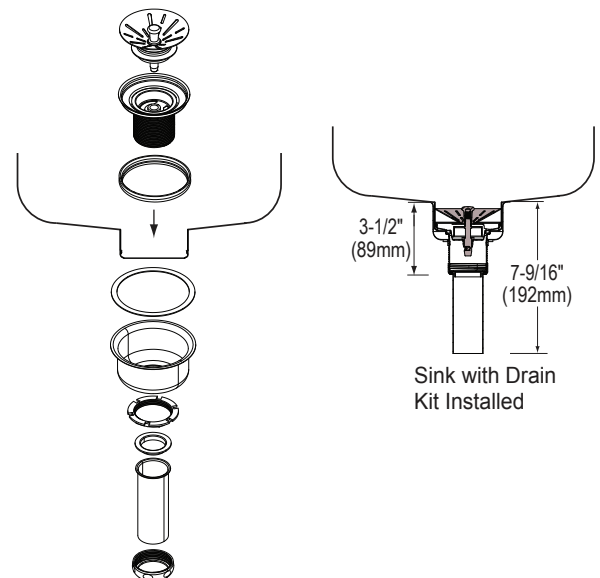
Bottom Grids: LKWOBG1418SS (large bowl), LKWOBG1316SS (small bowl).

Cutting Boards: CBR1418, CBS1418 (large bowl), CB1613, CB1713, CBR1316, CBS1316 (small bowl).

Mounting Clip: LKUCLIP8 (2 packages required).

Rinsing Baskets: LKWRB1418SS (large bowl), LKWRB1316SS (small bowl), LKWERBSS (either bowl).

Utensil Caddy for Rinsing Basket: LKWUCSS.



SEE NEXT PAGE FOR PRODUCT DIMENSIONS.

In keeping with our policy of continuing product improvement, Elkay reserves the right to change product specifications without notice. Please visit [elkayusa.com](http://elkayusa.com) for most current version of Elkay product specification sheets.

This specification describes an Elkay product with design, quality and functional benefits to the user. When making a comparison of other producers' offerings, be certain these features are not overlooked.

Elkay

[elkayusa.com](http://elkayusa.com)

2222 Camden Court  
Oak Brook, IL 60523

Printed in U.S.A.  
©2011 Elkay

(Rev. 10/11) 1-405A

# ELKAY<sup>®</sup>

## SPECIFICATIONS

### Gourmet Undermount Sink with Perfect Drain™

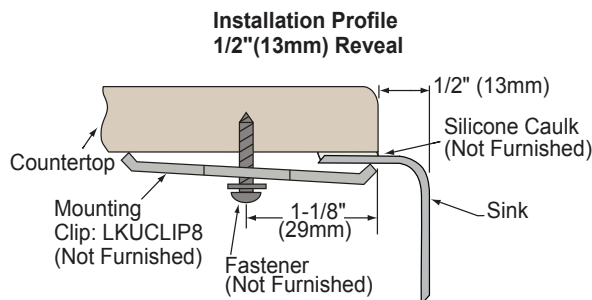
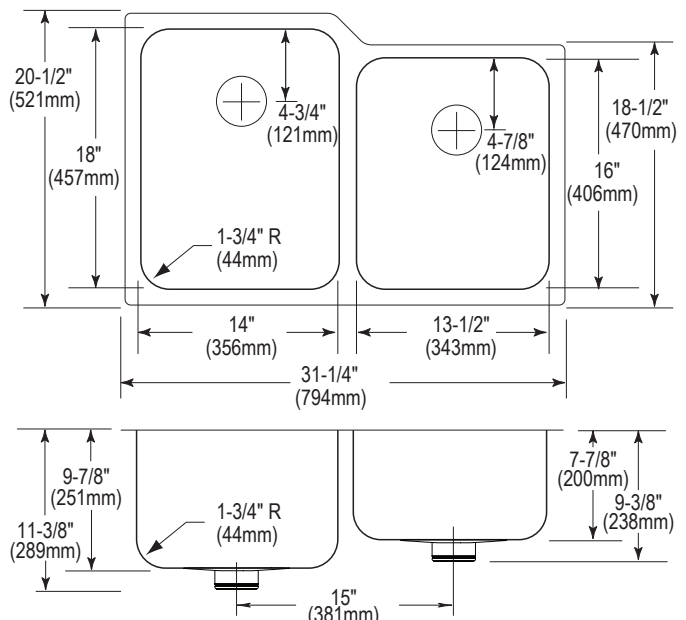
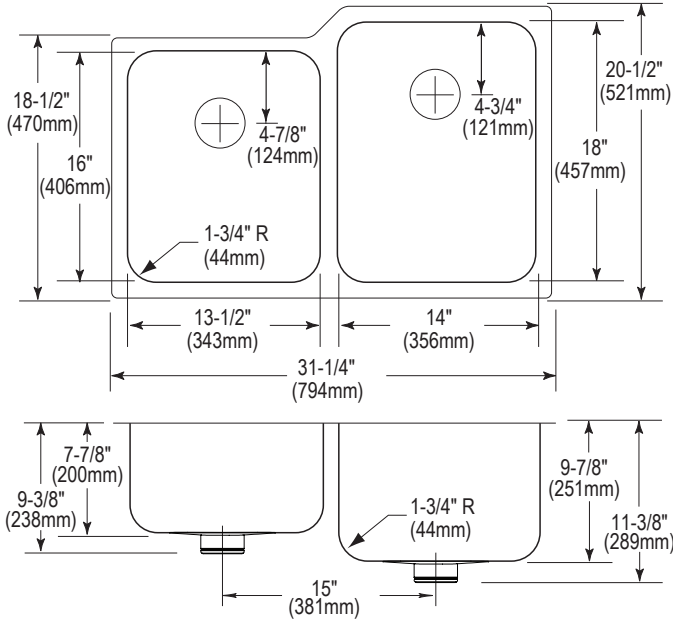
#### Models ELUH3120LPD and ELUH3120RPD

#### SINK DIMENSIONS\*

Model Number	Overall				Inside Left Bowl			Inside Right Bowl			Cutout in Countertop	Minimum Cabinet Size
	L	W	D Left	D Right	L	W	D	L	W	D		
ELUH3120LPD	31-1/4 (794mm)	20-1/2 (521mm)	9-3/8 (238mm)	11-3/8 (289mm)	13-1/2 (343mm)	16 (406mm)	7-7/8 (200mm)	14 (356mm)	18 (457mm)	9-7/8 (251mm)	See Template**	36 (914mm)
ELUH3120RPD	31-1/4 (794mm)	20-1/2 (521mm)	11-3/8 (289mm)	9-3/8 (238mm)	14 (356mm)	18 (457mm)	9-7/8 (251mm)	13 1/2 (343mm)	16 (406mm)	7-7/8 (200mm)	See Template**	36 (914mm)

\*Length is left to right. Width is front to back.

\*\*Template # 74180233 is packed with every sink.



**in sink erator<sup>®</sup>**

Elkay<sup>®</sup> Perfect Drain™ sinks are designed and approved for compatible disposers manufactured by InSinkErator<sup>®</sup> utilizing the Quick Lock<sup>®</sup> mounting configuration. Use of non-approved disposers may void Elkay warranty.

InSinkErator, Quick Lock and the mounting collar configuration are trademarks of Emerson Electric Co.



In keeping with our policy of continuing product improvement, Elkay reserves the right to change product specifications without notice. Please visit [elkayusa.com](http://elkayusa.com) for most current version of Elkay product specification sheets.

This specification describes an Elkay product with design, quality and functional benefits to the user. When making a comparison of other producers' offerings, be certain these features are not overlooked.