

**PRODUCT SPECIFICATIONS**

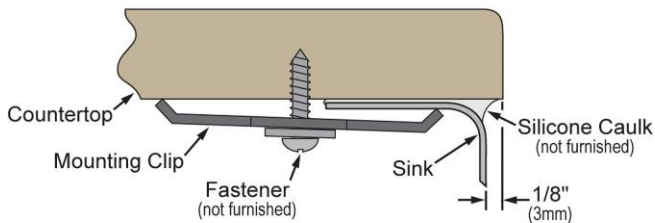
Elkay Crosstown Stainless Steel 36-1/2" x 18-1/2" x 9", Single Bowl Undermount Sink. Sink is manufactured from 18 gauge 304 Stainless Steel with a Polished Satin finish, Rear Center drain placement, and Sound Guard.

|                              |                            |
|------------------------------|----------------------------|
| <b>Installation Type:</b>    | Undermount                 |
| <b>Material:</b>             | 304 Stainless Steel        |
| <b>Finish:</b>               | Polished Satin             |
| <b>Gauge:</b>                | 18                         |
| <b>Sound Deadening:</b>      | Sound Guard                |
| <b>Number of Bowls:</b>      | 1                          |
| <b>Sink Dimensions:</b>      | 36-1/2" x 18-1/2" x 9"     |
| <b>Bowl 1 Dimensions:</b>    | 35" x 17" x 9"             |
| <b>Drain Size:</b>           | 3-1/2" (89mm)              |
| <b>Drain Location:</b>       | Rear Center                |
| <b>Minimum Cabinet Size:</b> | 39"                        |
| <b>Mounting Hardware:</b>    | Part # 54300008 included   |
| <b>Template Included:</b>    | Yes                        |
| <b>Cutout Template #:</b>    | <a href="#">1000003456</a> |

Template is available for download at [elkay.com](#)

**Installation Profile:**

1/8" OVERHANG



Designed to affix to the underside of any solid surface countertop.

**OPTIONAL ACCESSORIES**

|                        |  |
|------------------------|--|
| <b>Bottom Grid:</b>    | GFBG1517SS                             |
| <b>Cutting Board:</b>  | LKCBF17HW                              |
| <b>Drain:</b>          | LK35, LKDS35, LK99S                    |
| <b>Faucet:</b>         | LK3000CR, LK3001CR, LK5000CR, LK5000LS |
| <b>Sinkmate:</b>       | LKSM17, LKSMHOOK, LKSMSPONGE, LKSMHSL  |
| <b>Soap Dispenser:</b> | LK320                                  |



AMERICAN PRIDE. A LIFETIME TRADITION.  
Like your family, the Elkay family has values and traditions that endure. For almost a century, Elkay has been a family-owned and operated company, providing thousands of jobs that support our families and communities.



Sinks are listed by IAPMO® as meeting the applicable requirements of the Uniform Plumbing Code®, International Plumbing Code®, and National Plumbing Code of Canada.

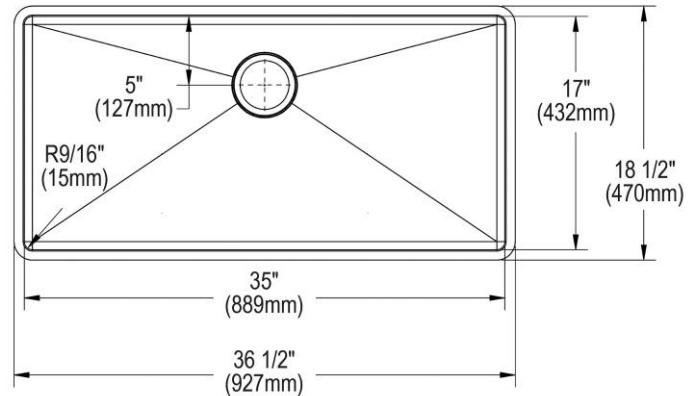
**Product Compliance:** ASME A112.19.3/CSA B45.4

[Clean and Care Manual \(PDF\)](#)

[Installation Instructions \(PDF\)](#)

[Limited Lifetime Warranty \(PDF\)](#)

**Similar models are available with:** included accessories (kit)



PART: \_\_\_\_\_ QTY: \_\_\_\_\_

PROJECT: \_\_\_\_\_

CONTACT: \_\_\_\_\_

DATE: \_\_\_\_\_

NOTES: \_\_\_\_\_

APPROVAL: \_\_\_\_\_

In keeping with our policy of continuing product improvement, Elkay reserves the right to change product specifications without notice. Please visit [elkay.com](#) for the most current version of Elkay product specification sheets. This specification describes an Elkay product with design, quality, and functional benefits to the user. When making a comparison of other producers' offerings, be certain these features are not overlooked.