

ELKAY[®]

SPECIFICATIONS

Crosstown™

Undermount Single Bowl Apron Sink

Model ECTRUF30179R

GENERAL

Highest quality sink fabricated of #18 (1.2mm) gauge, type 304 (18-8) nickel bearing stainless steel. Undermount.

DESIGN FEATURES

Bowl Depth: 9" (229mm).

Apron Height: 6-5/8" (168mm).

Coved Corners: Approximately 5/8" (15mm).

Finish: Exposed surfaces have a Polished Satin Finish.

Underside: Fully protected by heavy duty Sound Guard[®] undercoating designed to reduce condensation and dampen sound.

OTHER

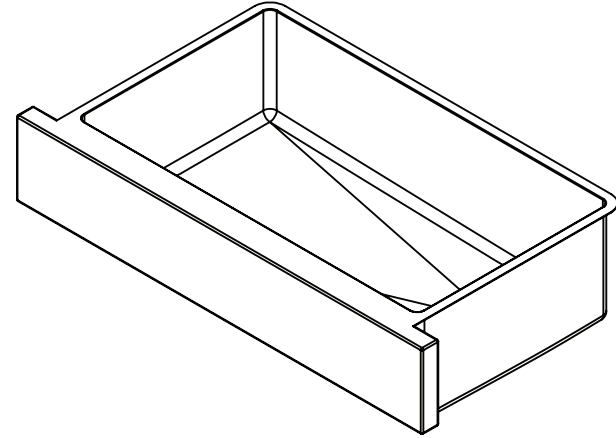
Drain Opening: 3-1/2" (89mm).

NOTE: All Elkay undermount sinks are designed to attach to the underside of any solid surface countertop.

Sink complies with ASME A112.19.3/ CSA B45.4



Sinks are listed by IAPMO[®] as meeting the applicable requirements of the Uniform Plumbing Code[®], International Plumbing Code[®], and National Plumbing Code of Canada.



Model ECTRUF30179R

OPTIONAL ACCESSORIES

Bottom Grid: GFOBG3017RSS

Mounting Clips: LKUCLIP8

Rinsing Basket: LKFRB2816SS, LKWERBSS

Utensil Caddy for Rinsing Basket: LKWUCSS

Drain: LK35, LK99

Packages

SINK PACKAGE:

ECTRUF3017RDBG includes: (1) Sink - ECTRU30179R, (1) BOTTOM GRID - GFOBG3017RSS, and (1) Drain - LK35.

BOTTOM GRID FEATURES:

300 Series Stainless Steel

Bright Finish

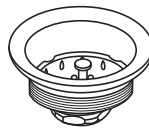
Dishwasher Safe

DRAIN FEATURES:

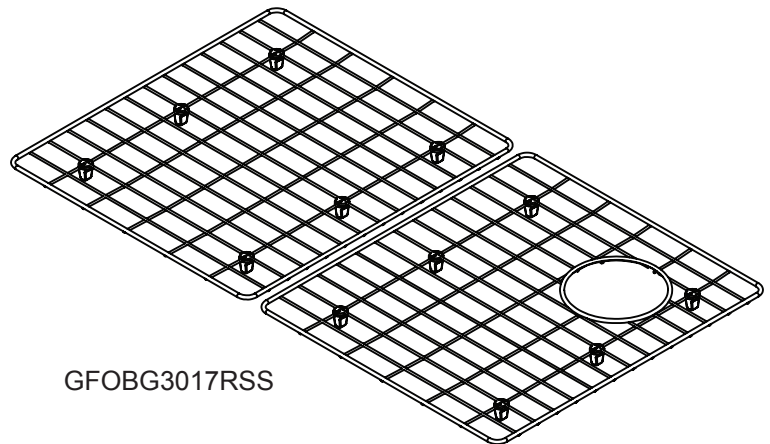
Stainless Steel Body and Strainer.

Polished Finish.

Fits 3-1/2 (89mm) opening.



LK35



GFOBG3017RSS

In keeping with our policy of continuing product improvement, Elkay reserves the right to change product specifications without notice. Please visit elkayusa.com for most current version of Elkay product specification sheets.

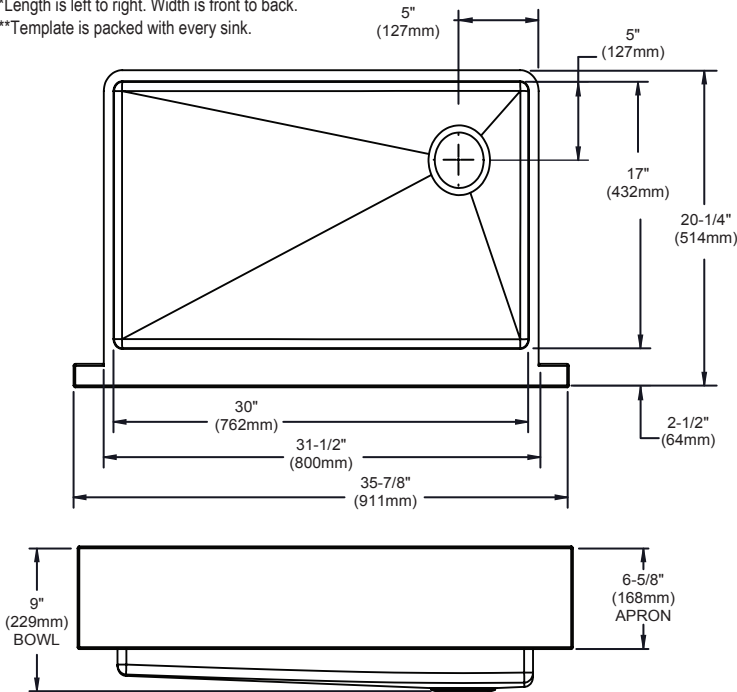
This specification describes an Elkay product with design, quality and functional benefits to the user. When making a comparison of other producers' offerings, be certain these features are not overlooked.

SINK DIMENSIONS*

Model Number	Overall		Inside Bowl			Cutout in Countertop	Minimum Cabinet Size
	L	W	L	W	D		
ECTRUF30179R	35 7/8" (911mm)	20 1/4" (514mm)	31 1/2" (800mm)	17" (432mm)	9" (229mm)	See Template**	36" (914mm)

*Length is left to right. Width is front to back.

**Template is packed with every sink.



Installation Profile of ECTRU Models
The template provided with each ECTRU sink provides the only type of installation recommended by Elkay

