



# TUB AND SHOWER FAUCET TRIM

- Valve Only (T13020 Series)
- Tub Only (T13120 Series)
- Shower Only (T13220 Series)
- Tub and Shower (T13420 Series)

## FEATURES:

- Monitor® 13 Series pressure balanced bath mixing valve trim
- "-H2O" models include H<sub>2</sub>Okinetic® Technology showerhead

## STANDARD SPECIFICATIONS:

- Maintains a balanced pressure of hot and cold water even when a valve is turned on or off elsewhere in the system.
- For use with MultiChoice® Universal rough valve body. (R10000 Series)
- Back-to-back installation capability.
- Solid brass forged body.
- Temperature only controlled with metal lever handle.
- Field adjustable to limit handle rotation into hot water zone.
- 120° maximum handle rotation.
- All parts replaceable from the front of the valve.
- Models with "LTS" suffix supplied with 7" long non-diverter slip-on spout (RP36498).
- T13220-H2O uses RP46384.
- T13220-H2OT uses RP54752.
- DPE = 1" deeper escutcheon (RP21633).
- Models with "CER" use ceramic cartridge RP74236.
- Stem extension kit RP77991 can be ordered to allow for an additional 1 3/4" wall thickness. RP77991 ships with chrome escutcheon screws. For special finishes also order RP12630 escutcheon screws in desired finish.
- **Note:** Product will be marked with flow rate of specific showerhead.

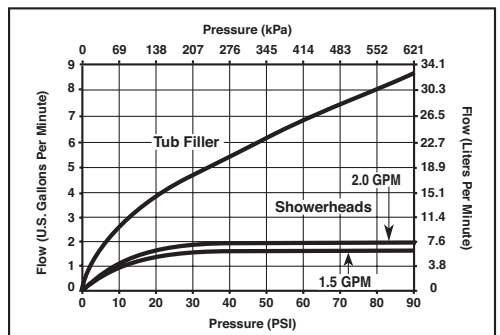
## WARRANTY

- Lifetime limited warranty on parts (other than electronic parts and batteries) and finishes: or, for commercial users, for 5 years from date of purchase.
- 5 year limited warranty on electronic parts (other than batteries); or, for commercial users, for 1 year from the date of purchase. No warranty is provided on batteries.

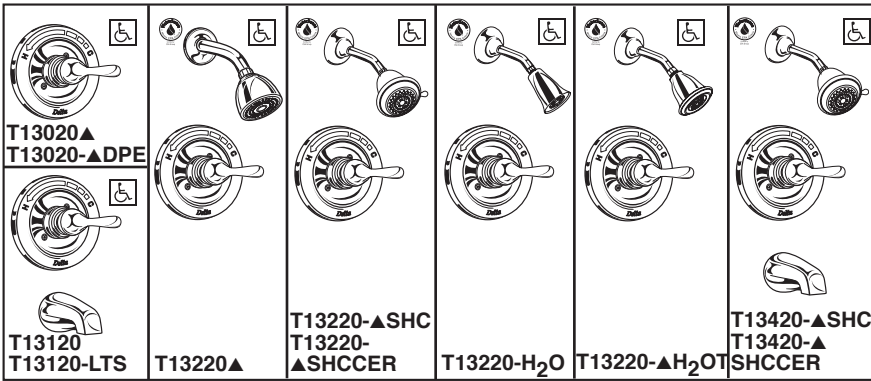


## COMPLIES WITH:

- ASME A112.18.1 / CSA B125.1
- ASSE 1016
- Indicates compliance to ICC/ANSI A117.1 - Valve control only
- EPA WaterSense®

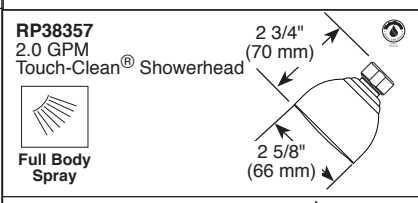
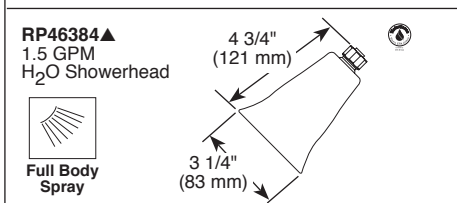
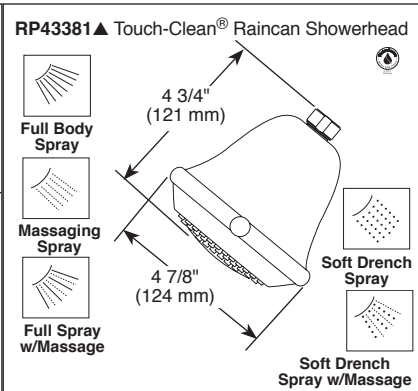
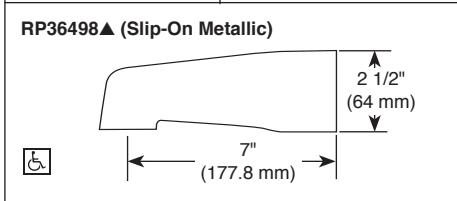
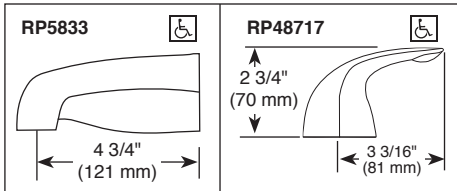
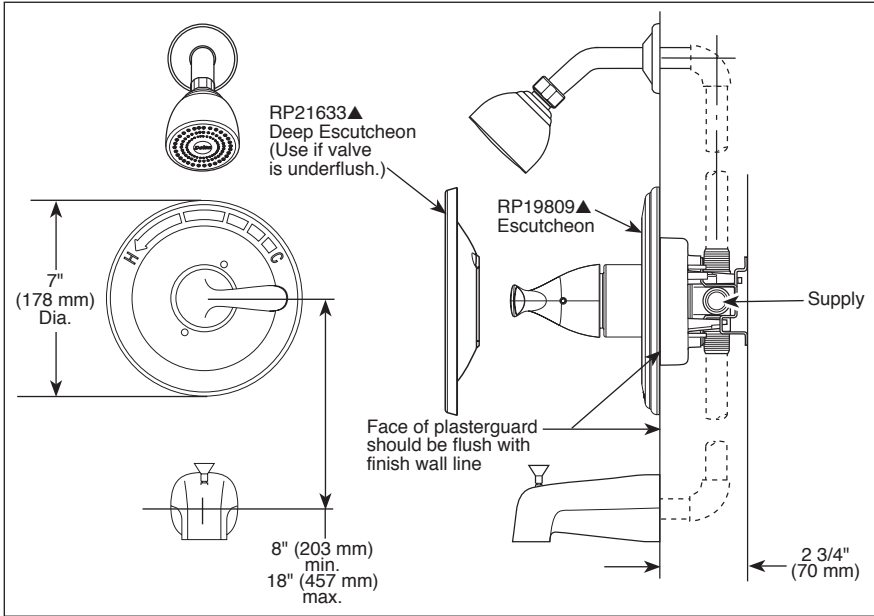


55 E. 111th Street, Indianapolis, Indiana 46280  
 350 South Edgeview Road, St. Thomas, ON N5P 4L1  
 © 2015 Masco Corporation of Indiana

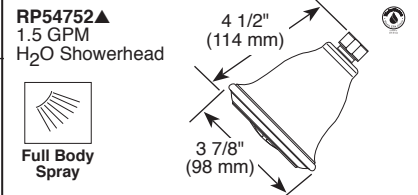


Submitted Model No.: \_\_\_\_\_

Specific Features: \_\_\_\_\_



▲ Designate proper finish suffix



Delta reserves the right (1) to make changes in specifications and materials, and (2) to change or discontinue models, both without notice or obligation. Dimensions are for reference only. See current full-line price book or [www.deltafaucet.com](http://www.deltafaucet.com) for finish options and product availability.  
 DSP-B-T13020 Rev. O