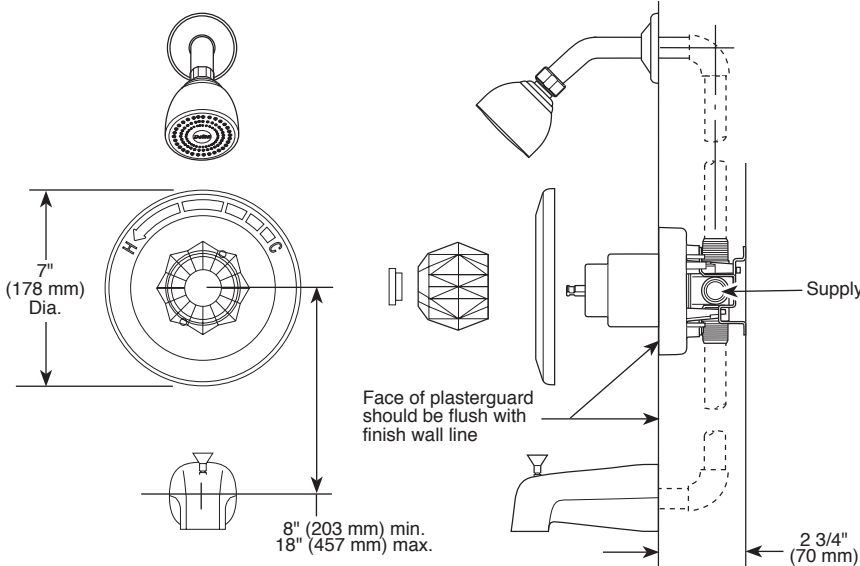


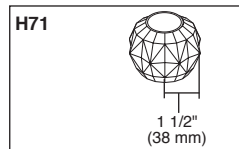
Submitted Model No.: _____

Specific Features: _____



<p>RP5836 (Non-Metal Slip-On) RP17453▲ (Non-Metal) RP17454▲ (Metallic)</p> <p>2 1/2" (64 mm) 5 1/4" (133 mm)</p>
<p>RP5834 RP19820▲ (Slip-On)</p> <p>2 1/2" (64 mm) 5" (127 mm)</p>
<p>RP5833</p> <p>2 1/2" (64 mm) 4 3/4" (121 mm)</p>
<p>RP36498▲ (Slip-On Metallic)</p> <p>2 1/2" (64 mm) 7" (177.8 mm)</p>
<p>RP19895</p> <p>2 1/2" (64 mm) 5" (127 mm)</p>

<p>RP38357 Touch-Clean® Showerhead 2.0 GPM</p> <p>2 3/4" (70 mm) 2 5/8" (66 mm) Full Spray</p>
<p>RP46384▲ H₂O Showerhead 1.5 GPM</p> <p>4 3/4" (121 mm) 3 1/4" (83 mm)</p>



TUB AND SHOWER FAUCET TRIM

- Valve Only (T13022 Series)
- Shower Only (T13222 Series)
- Tub/Shower (T13422 Series)

FEATURES:

- Monitor® 13 Series pressure balanced bath mixing valve

STANDARD SPECIFICATIONS:

- Maintains a balanced pressure of hot and cold water even when a valve is turned on or off elsewhere in the system
- For use with MultiChoice® Universal rough valve body. (R10000 Series)
- Back-to-back installation capability
- Solid brass fabricated body
- Temperature only controlled with handle. Clear knob handle with red/blue indicators
- Field adjustable to limit handle rotation into hot water zone
- 120° maximum handle rotation
- All parts replaceable from the front of the valve
- Models with "SOS" suffix supplied with slip-on spout for 1/2" C.W.T.
- Models with "PD" suffix supplied with 6" long pull-down diverter spout (RP17453)
- **Note:** Product will be marked with flow rate of specific showerhead

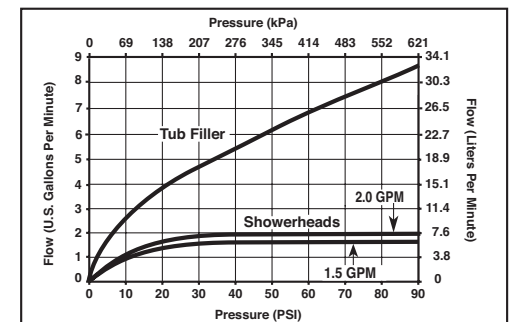
WARRANTY

- Lifetime limited warranty on parts (other than electronic parts and batteries) and finishes; or, for commercial users, for 5 years from date of purchase.
- 5 year limited warranty on electronic parts (other than batteries); or, for commercial users, for 1 year from the date of purchase. No warranty is provided on batteries.



COMPLIES WITH:

- ASME A112.18.1 / CSA B125.1
- ASSE 1016
- EPA WaterSense®



55 E. 111th Street, Indianapolis, IN 46280
350 South Edgeware Road, St. Thomas, ON N5P 4L1
© 2015 Masco Corporation of Indiana

▲ Designate Proper Finish Suffix

Delta reserves the right (1) to make changes in specifications and materials, and (2) to change or discontinue models, both without notice or obligation. Dimensions are for reference only. See current full-line price book or www.deltafaucet.com for finish options and product availability.