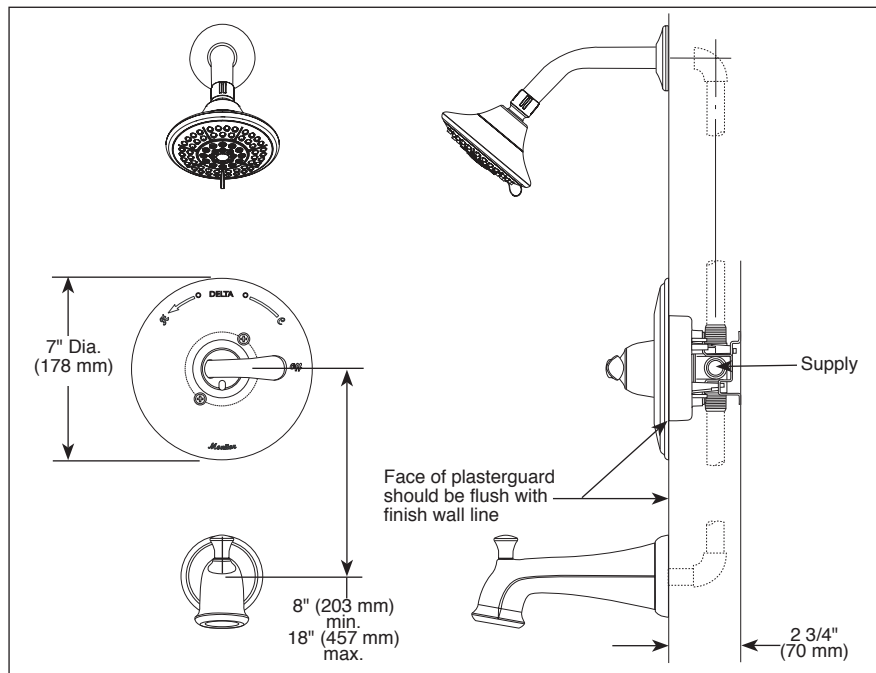
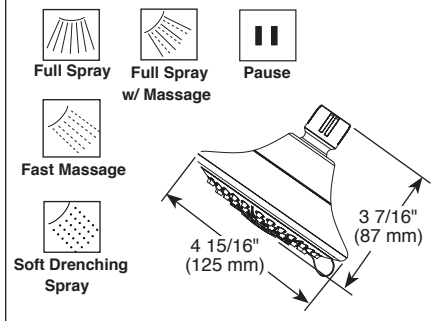


Submitted Model No.: _____

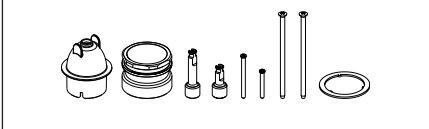
Specific Features: _____



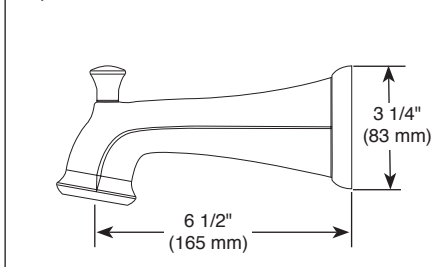
RP78575▲ 1.75 GPM Touch-Clean® Shower Head



RP77991 Available Extension Kit



RP83676▲ (Pull-Up Diverter)
Slips onto 1/2" C.W.T.



▲ Designate Proper Finish Suffix



see what Delta can do™

TUB AND SHOWER FAUCET TRIM

- Linden™ Bath Collection
- Tub/Shower (T14494-SOS)

STANDARD SPECIFICATIONS:

- 14 Series pressure balanced bath single handle mixing valve trim
- Maintains a balanced pressure of hot and cold water even when a valve is turned on or off elsewhere in the system
- For use with MultiChoice® Universal rough valve body (R10000 Series)
- Back-to-back installation capability
- Solid brass forged body
- Temperature only controlled with handle
- Field adjustable to limit handle rotation into hot water zone
- 120° maximum handle rotation
- All parts replaceable from the front of the valve
- Shower head max flow rate 1.75 gpm @ 80 psi, 6.6 L/min @ 550 kPa
- Stem extension kit RP77991 can be ordered to allow for an additional 1 3/4" wall thickness. RP77991 ships with chrome escutcheon screws. For special finishes also order RP12630 escutcheon screws in desired finish.

WARRANTY

- Parts and Finish - Lifetime limited warranty; or for commercial purchasers, 10 years for multi-family residential (apartments and condominiums) and 5 years for all other commercial uses, in each case from the date of purchase.
- Electronic Parts and Batteries (if applicable) - 5 years from the date of purchase; or for commercial purchasers, 1 year from the date of purchase. No warranty is provided on batteries.



COMPLIES WITH:

- ASME A112.18.1 / CSA B125.1
- ASSE 1016
- Indicates compliance to ICC/ANSI A117.1 - Valve control only
- EPA WaterSense®