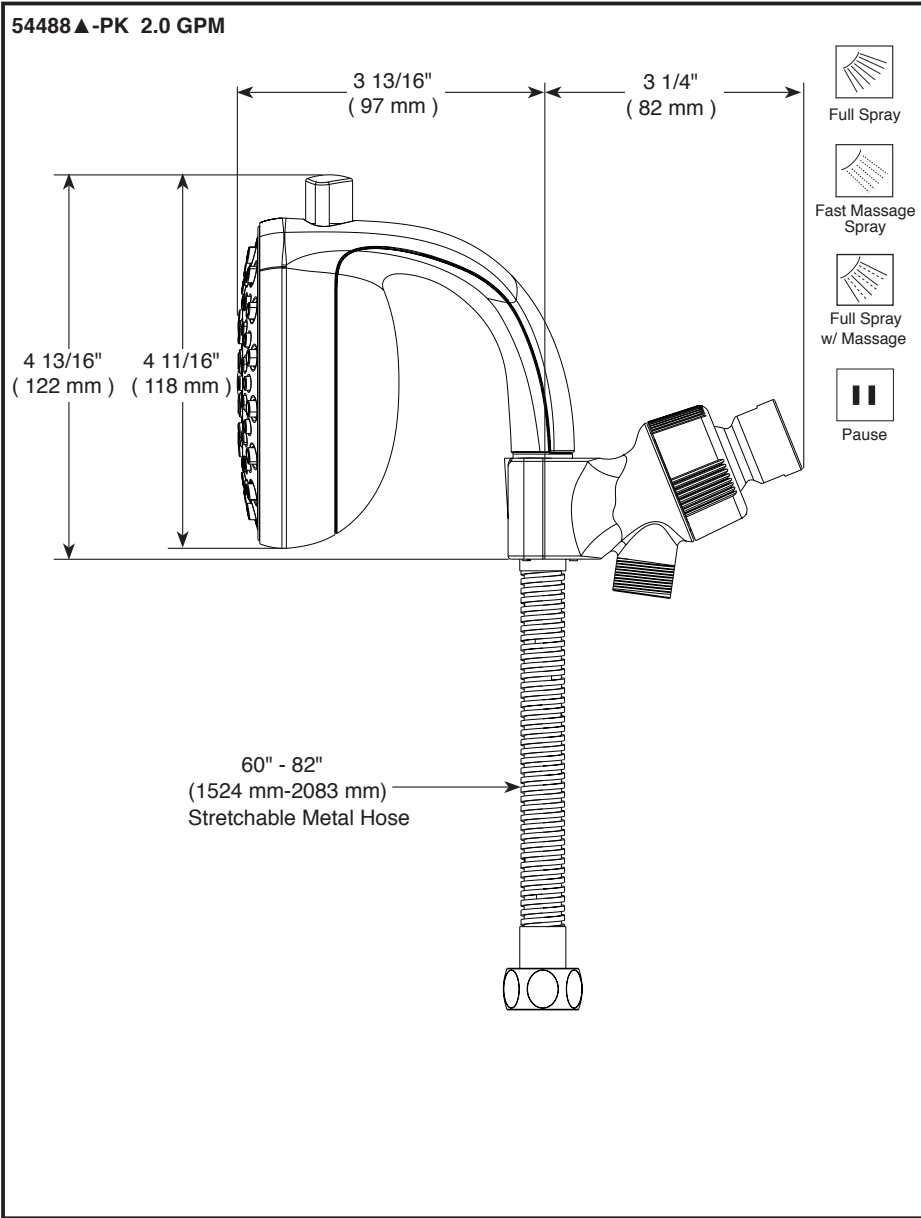


Submitted Model No.: _____

Specific Features: _____



HANDSHOWER

- 4-Spray Settings Palm™ Handshower
- Touch-Clean® Nozzles
- Push Button Selection

STANDARD SPECIFICATIONS:

- Maximum flow rate 2.0 gpm @ 80 PSI, 7.6L/min @ 552kPa.
- 60-82" stretchable metal hose.
- Change spray modes with pushbutton.
- Dual check valves for back low prevention.
- Adjustable shower arm mount for hands-free showering
- Fixed showerhead and palm shower all in one.

WARRANTY

- Lifetime limited warranty on parts (other than electronic parts and batteries) and finishes; or, for commercial users, for 5 years from the date of purchase.
- 5 year limited warranty on electronic parts (other than batteries); or for commercial users, for 1 year from the date of purchase. No warranty is provided on batteries.



COMPLIES WITH

- ASME A112.18.1 / CSA B125.1
- EPA WaterSense®
- Indicates compliance to ICC/ANSI A117.1

▲ Designate proper finish suffix

Delta reserves the right (1) to make changes in specifications and materials, and (2) to change or discontinue models, both without notice or obligation. Dimensions are for reference only. See current full-line price book or www.deltafaucet.com for finish options and product availability.

