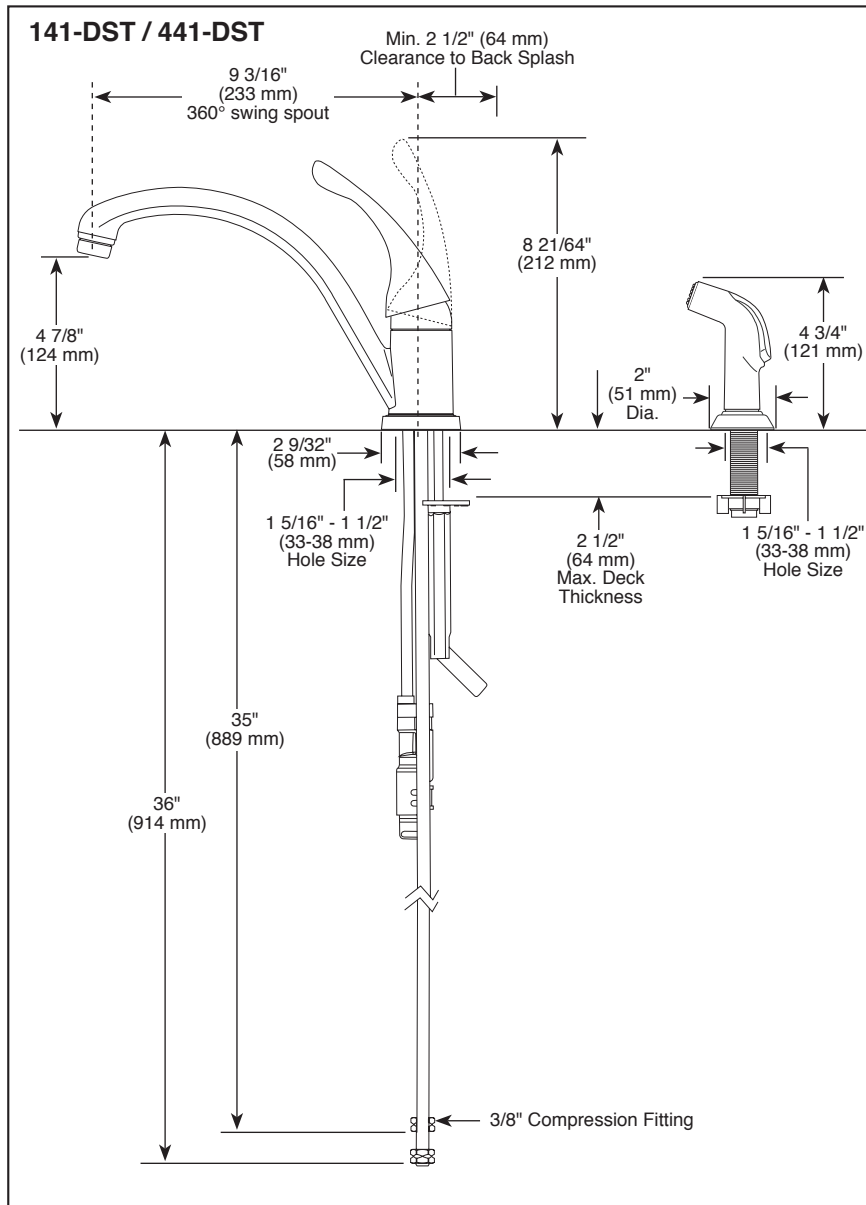


Submitted Model No.: \_\_\_\_\_

Specific Features: \_\_\_\_\_



▲ Designate Proper Finish Suffix



## KITCHEN FAUCETS

- Collins™ Series
- Single Handle Deck Mount
- 1 and 2 Hole Sink Applications
- DIAMOND Seal® Technology
- Integrated Supply Tubes


### STANDARD SPECIFICATIONS:

- 9 3/16" (233 mm) long spout swings 180°.
- Lever handle shall return to neutral position when valve is turned off.
- Control mechanism shall be the diamond coated ceramic cartridge.
- Red/blue graphics on handle button to indicate hot/cold temperature.
- Model 441 series with spray attachment has anti-siphon device as integral part of faucet.
- Vegetable sprayer hose installation on model 441 series.
- 3/8" O.D. straight, staggered pex supply tubes - 35" (889 mm) and 36" (914 mm) long.
- Standard 3/8" (10 mm) compression gasket fittings
- Max. 1.80 gpm @ 60 psi, 6.8 L/min @ 414 kPa.

### WARRANTY

- Lifetime limited warranty on parts (other than electronic parts and batteries) and finishes: or, for commercial users, for 5 years from date of purchase.
- 5 year limited warranty on electronic parts (other than batteries); or, for commercial users, for 1 year from the date of purchase. No warranty is provided on batteries.

### COMPLIES WITH:

- ASME A112.18.1 / CSA B125.1
- ASME A112.18.6
-  Indicates compliance to ICC/ANSI A117.1
- Verified compliant with .25% weighted average Pb content regulations.

