

Submitted Model No.: _____
 Specific Features: _____

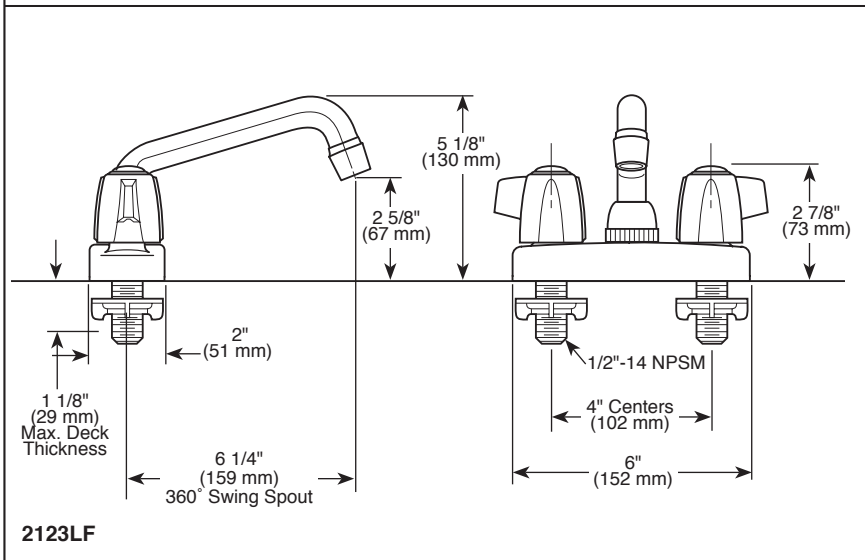
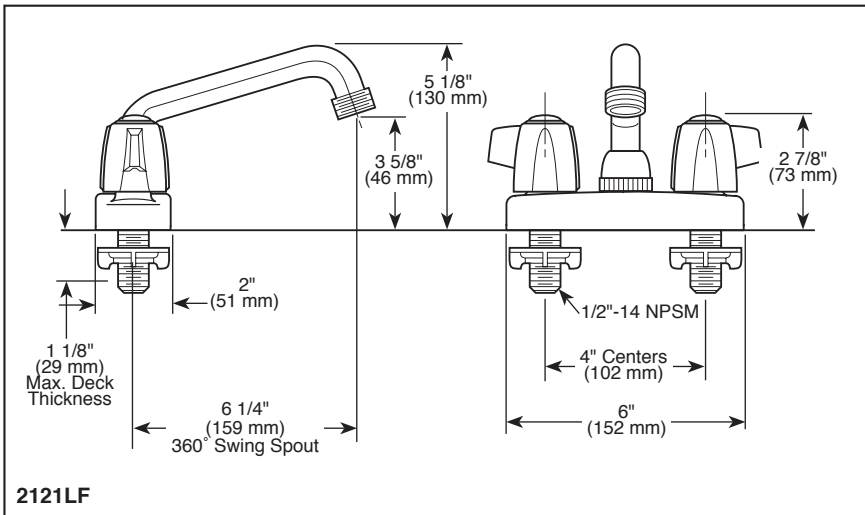


SPECIALTY FAUCETS

- Two Handle Laundry Faucet
- Deck Mount
- 2 or 3 Hole Sink Applications
- 4" (102 mm) Centerset

STANDARD SPECIFICATIONS:

- Two handle deck faucets for exposed mounting on two or three hole sinks.
- Spout swivels 360°.
- 2121LF spout has hose thread.
- 2123LF spout has stream straightener.
- 4" (102 mm) centerset.
- Solid brass cast body.
- 6 1/4" (159 mm) long, 5 1/8" (130 mm) high spout swings 360°.
- Hot and cold stems are interchangeable.
- Control mechanism shall be of the rotating cylinder type with stainless steel plate and 90° rotation, with replaceable non-metallic seats operating in stainless steel lined sockets.
- 1/2"-14 NPSM threaded male shanks.

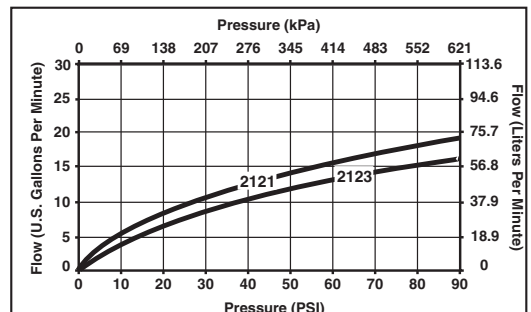


WARRANTY

- Lifetime limited warranty on parts (other than electronic parts and batteries) and finishes: or, for commercial users, for 5 years from date of purchase.
- 5 year limited warranty on electronic parts (other than batteries); or, for commercial users, for 1 year from the date of purchase. No warranty is provided on batteries.

COMPLIES WITH:

- ASME A112.18.1 / CSA B125.1
- Indicates compliance to ICC/ANSI A117.1
- Verified compliant with .25% weighted average Pb content regulations.



Delta reserves the right (1) to make changes in specifications and materials, and (2) to change or discontinue models, both without notice or obligation. Dimensions are for reference only. See current full-line price book or www.deltafaucet.com for finish options and product availability.

55 E. 111th Street, Indianapolis, Indiana 46280
 350 South Edgeware Road, St. Thomas, ON N5P 4L1
 © 2015 Masco Corporation of Indiana