



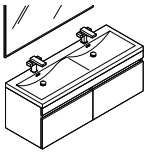
FVN8040

LARGO

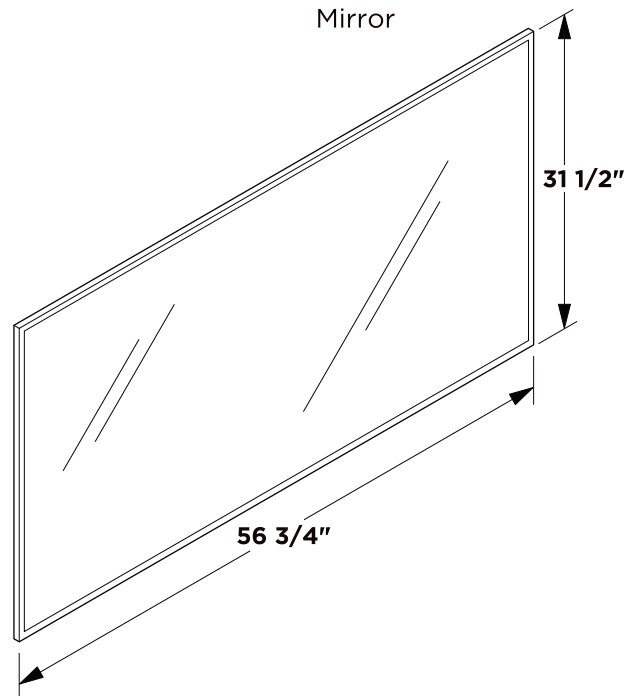
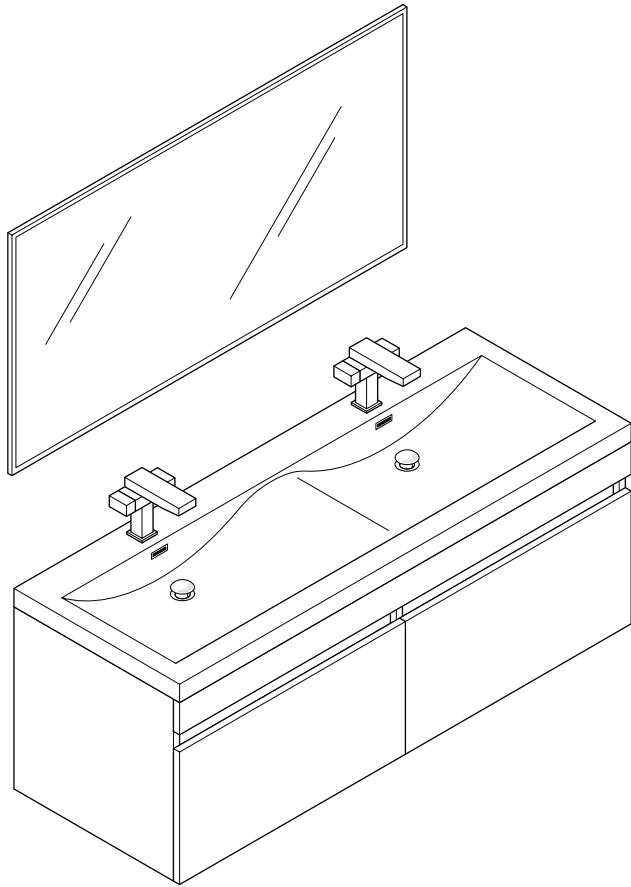
INSTALLATION GUIDE

CONTENTS:

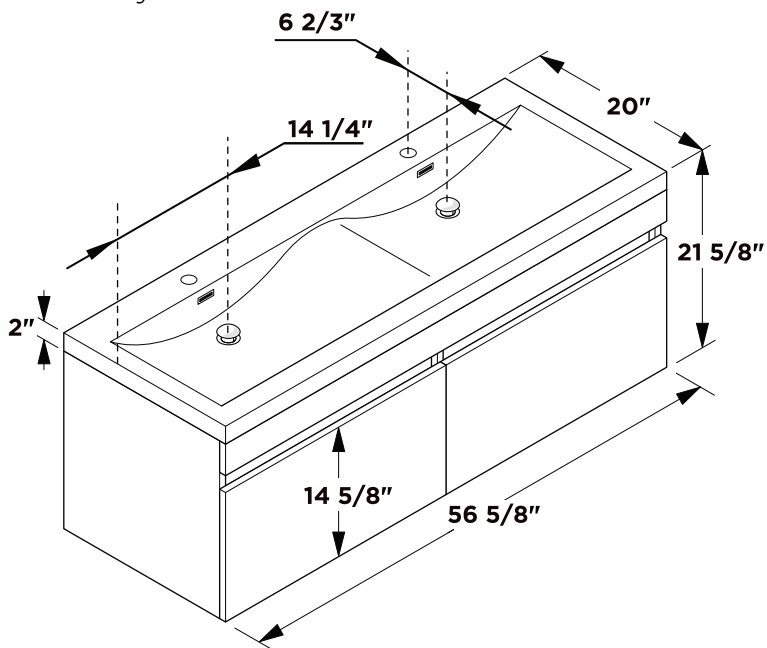
Cabinet.....(FCB8040).....	PAGE 3
Sink.....(FVS8040).....	PAGE 4
Mirror.....(FMR8040).....	PAGE 4



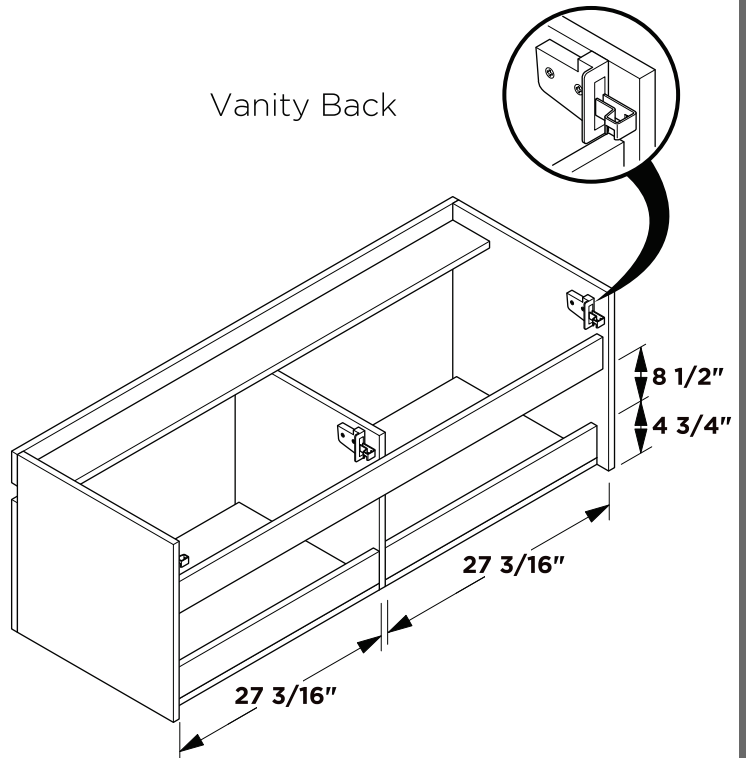
FVN8040 LARGO INSTALLATION GUIDE



Vanity Front

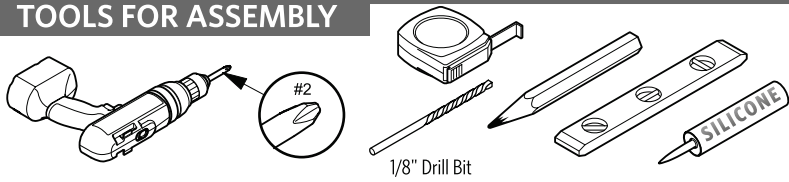


Vanity Back



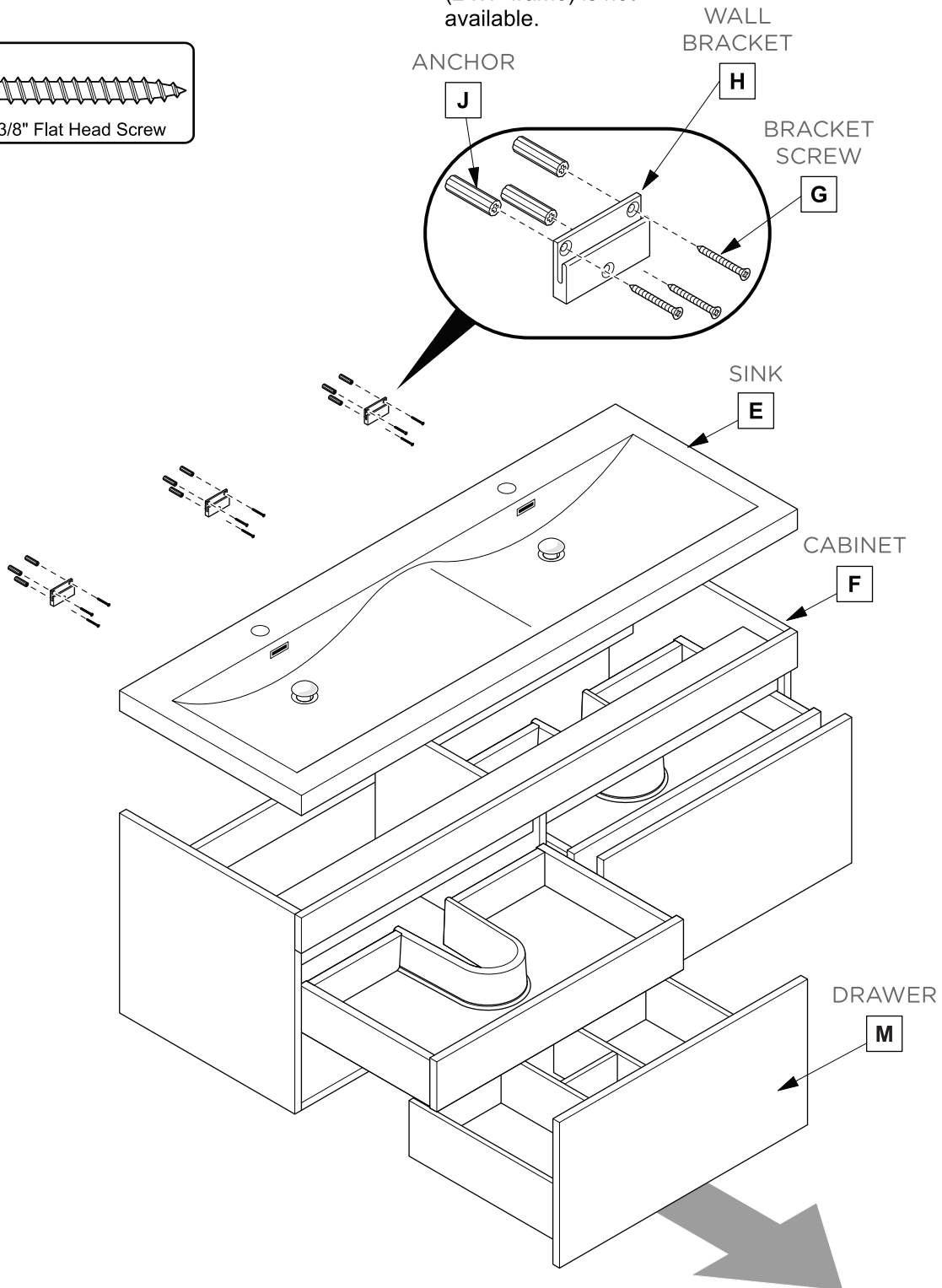
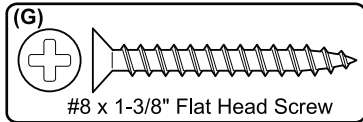
NOTE: ALL DIMENSIONS & SPECIFICATIONS ARE APPROXIMATE AND SUBJECT TO CHANGE WITHOUT NOTICE.

TOOLS FOR ASSEMBLY



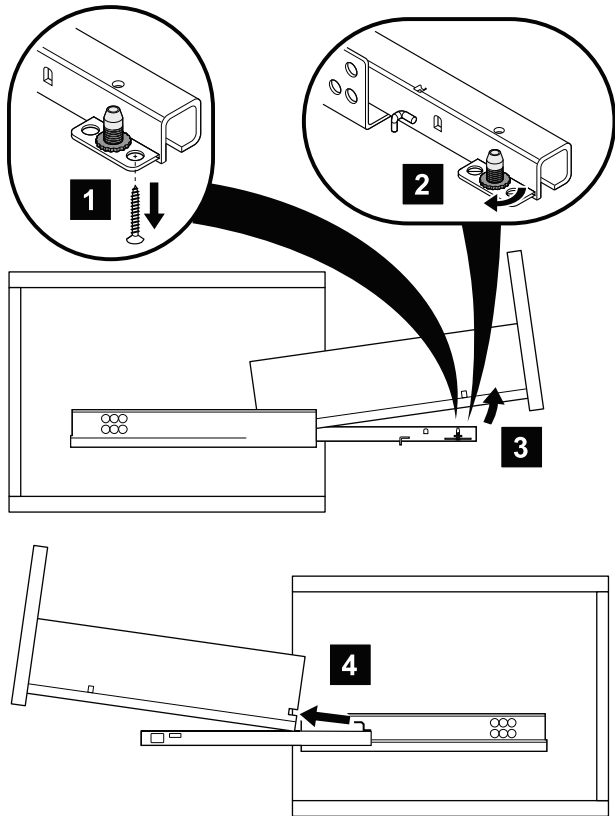
PARTS

NOTE: Only use anchors (J) if stud (2"x4" frame) is not available.

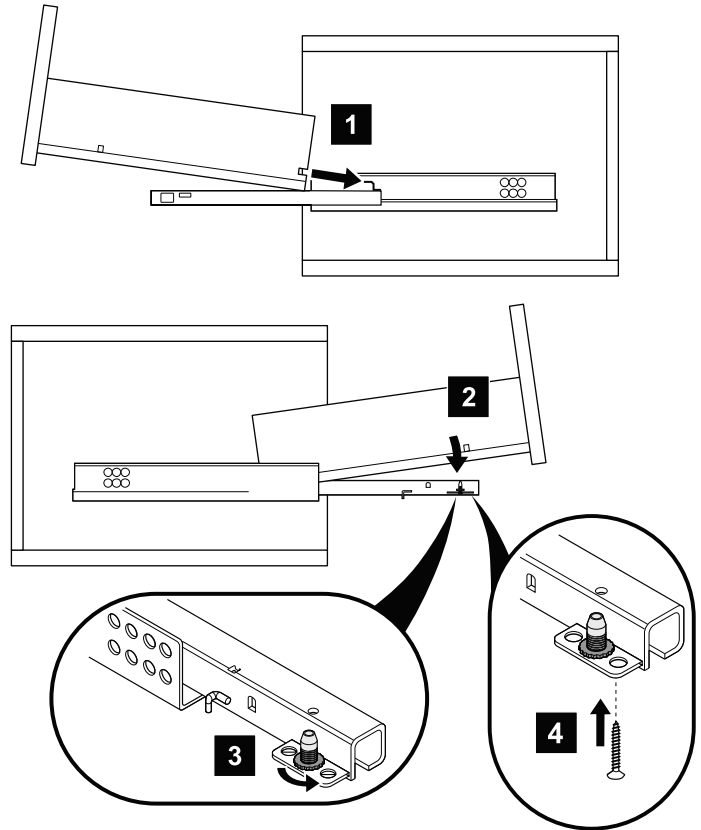


DRAWER REMOVAL & INSTALLATION

REMOVAL

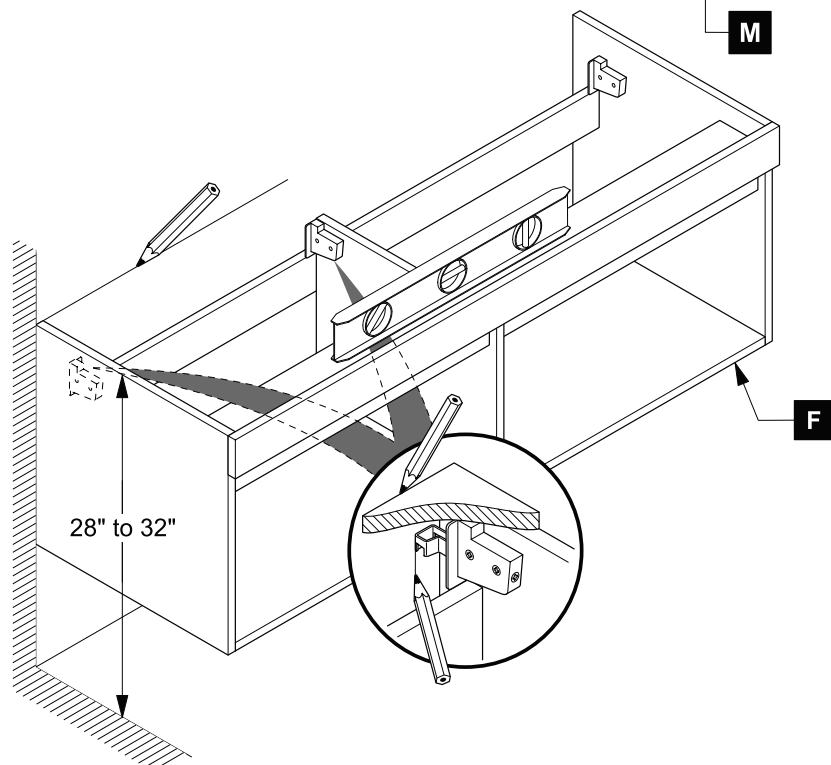
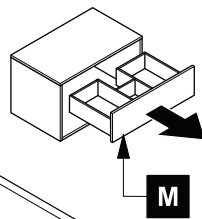


INSTALLATION



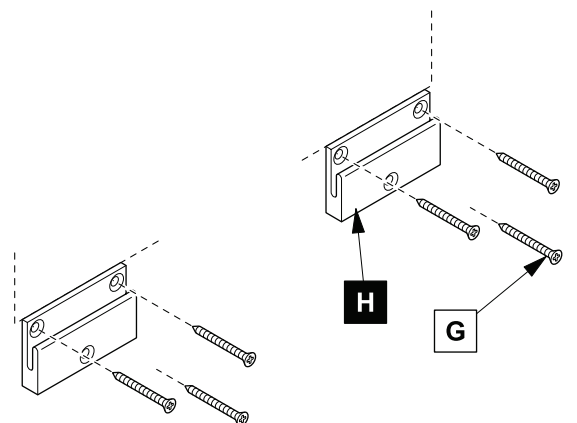
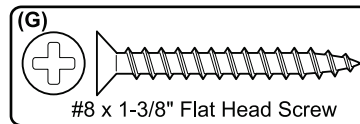
1 Remove drawer (M)

2 Locate cabinet (F) & mark location



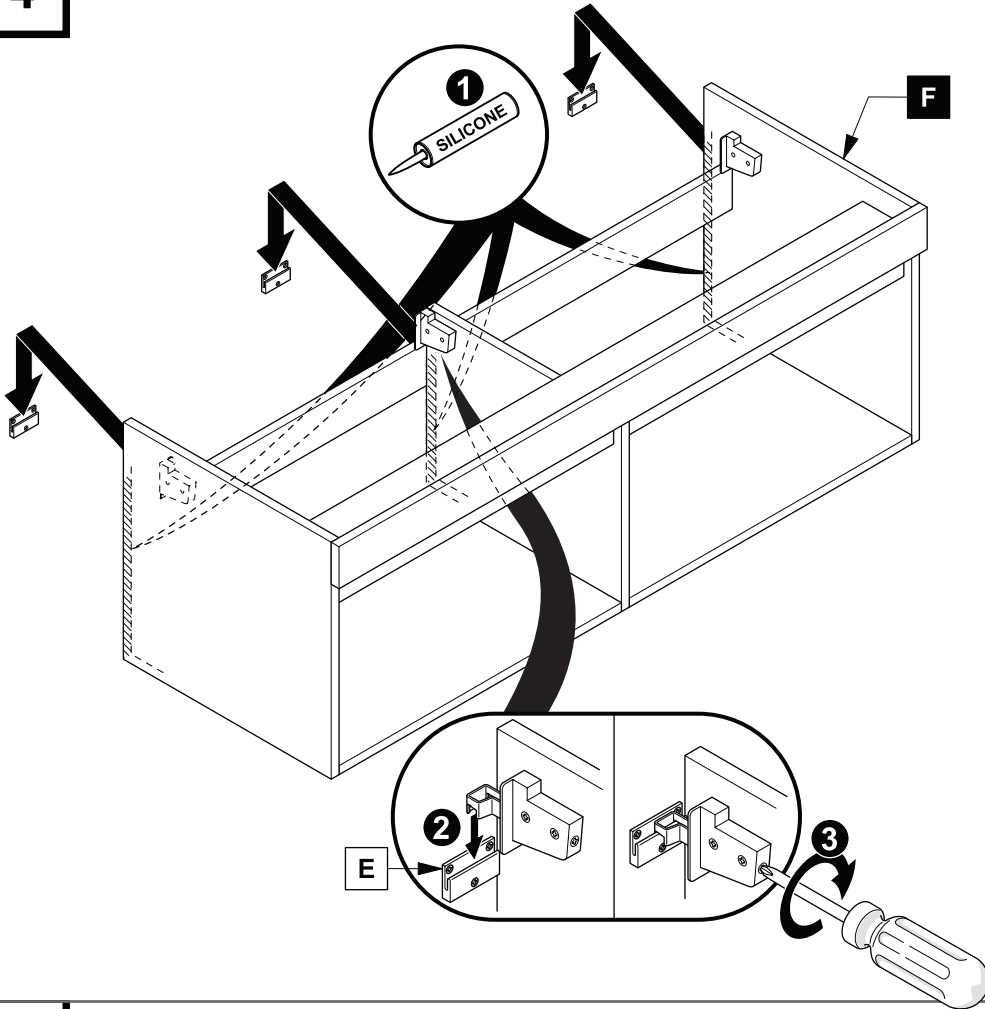
3 Install wall brackets (H)

NOTE: Consult an expert for the proper screws/bolts to use when attaching to various constructions. Screws provided do not attach to all wall construction types.



4

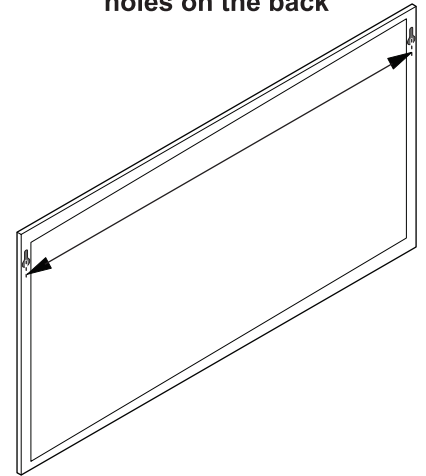
Apply silicone and install cabinet (F)



MIRROR INSTALLATION

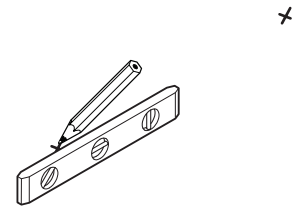
1

Measure the distance between the mounting holes on the back



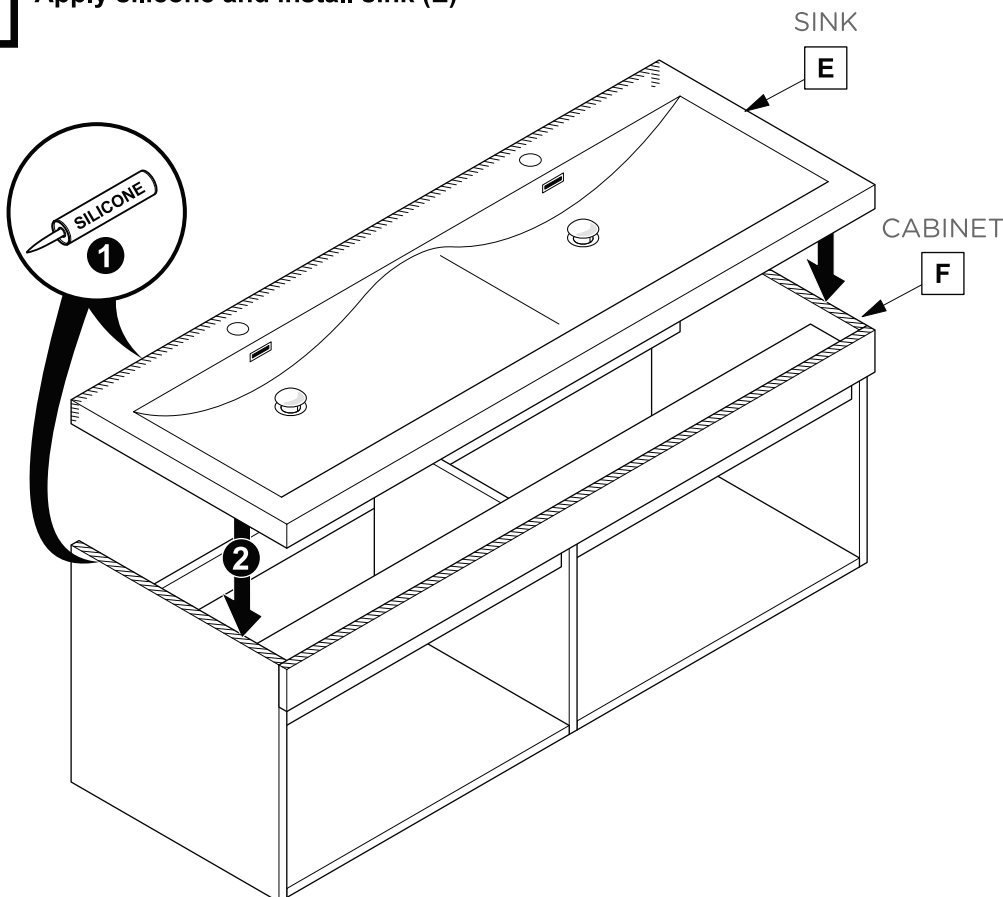
2

Mark the hole position on the wall using level



5

Apply silicone and install sink (E)



3

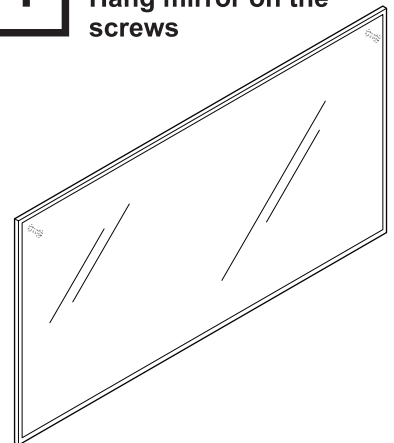
Insert the screws in the marked spots with a drill



NOTE: Consult an expert for the proper screws/bolts to use when attaching to various constructions. Screws provided do not attach to all wall construction types.

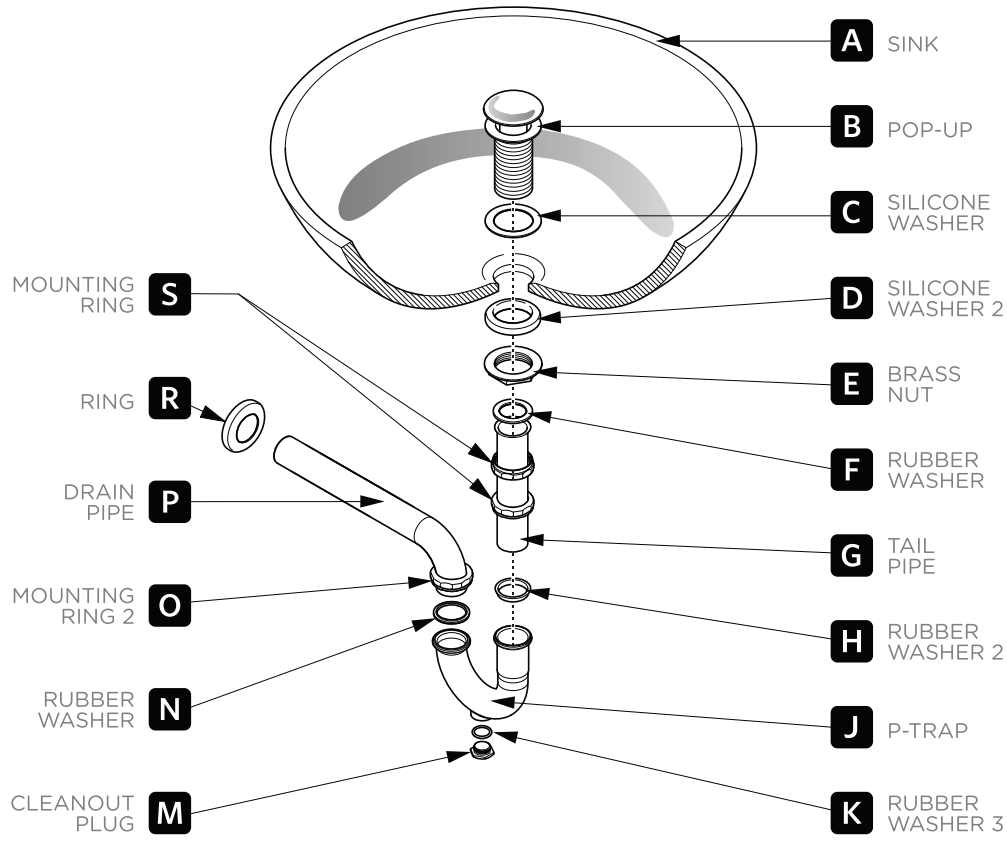
4

Hang mirror on the screws



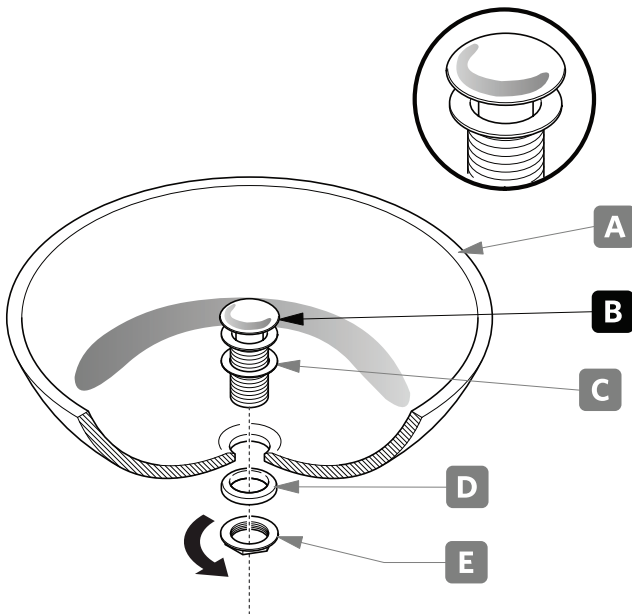
P-TRAP & POP-UP INSTALLATION INSTRUCTIONS

Your item may appear slightly different from the illustration.



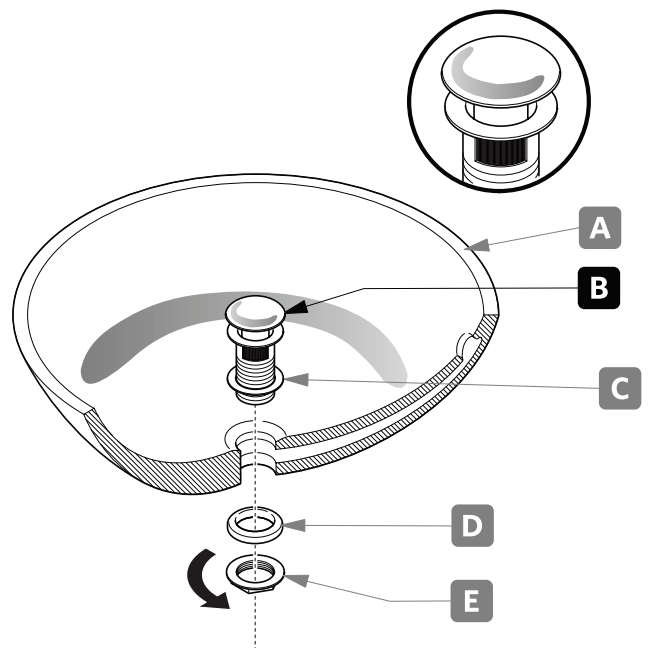
POP-UP INSTALLATION

**FOR SINKS
WITHOUT OVERFLOW**



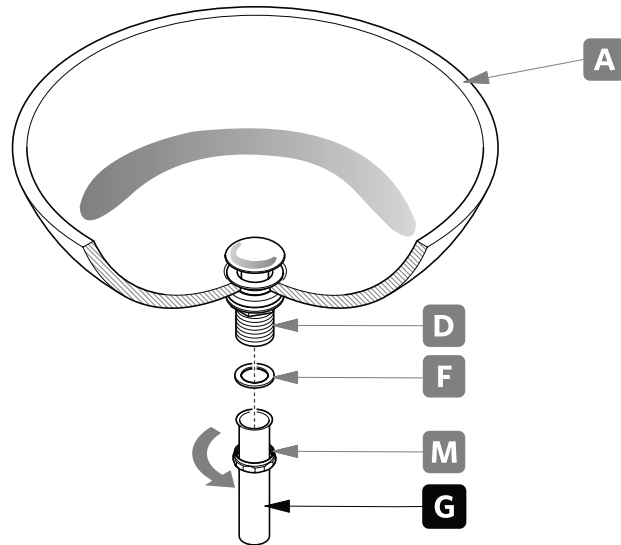
OR

**FOR SINKS
WITH OVERFLOW**



P-TRAP INSTALLATION

1. Install tail pipe (G).



2. Install P-trap (J).

