



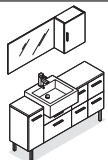
# FVN6143

# SERIO

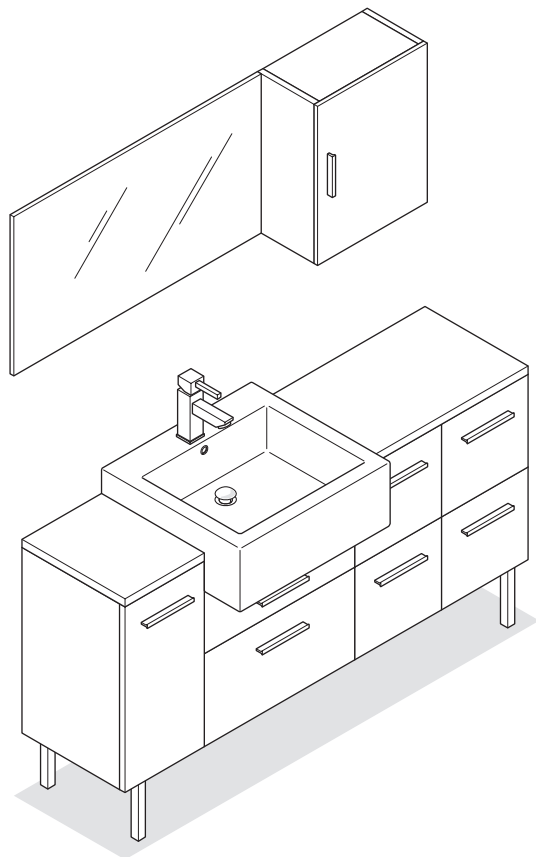
## INSTALLATION GUIDE

### CONTENTS:

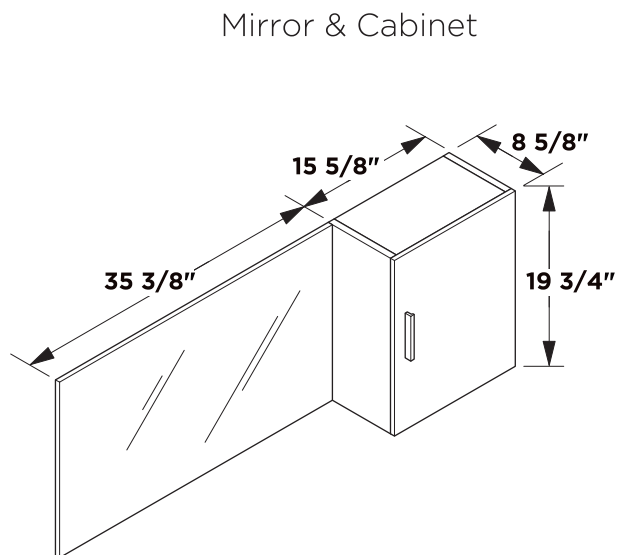
Cabinet.....	(FCB6143).....	PAGE 2
Sink.....	(FVS6143).....	PAGE 2
Mirror.....	(FMR6143).....	PAGE 3
Side Cabinet.....	(FST6143).....	PAGE 3



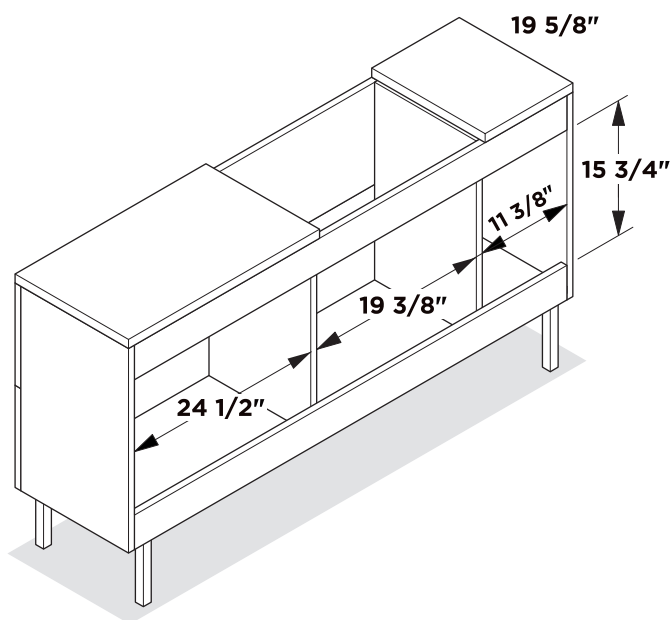
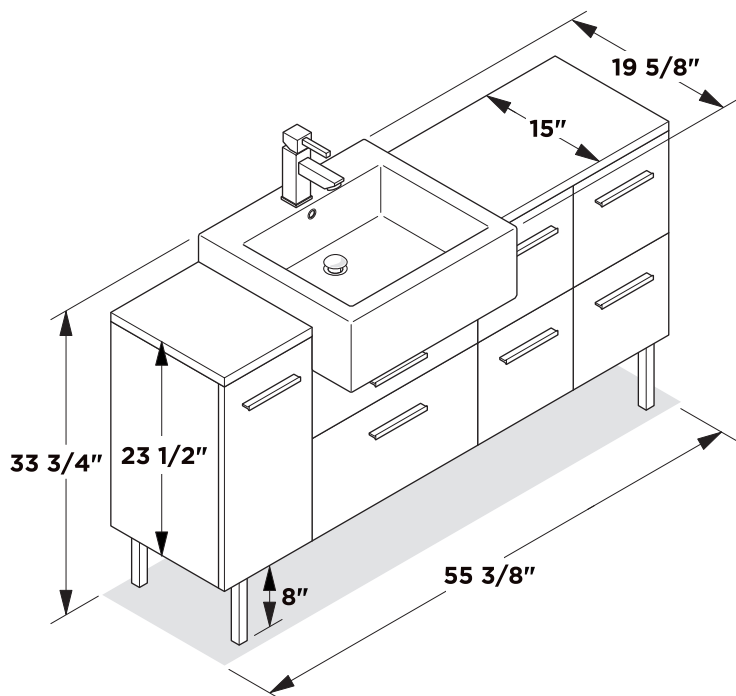
# FVN6143 SERIO INSTALLATION GUIDE



Vanity Front



Vanity Back

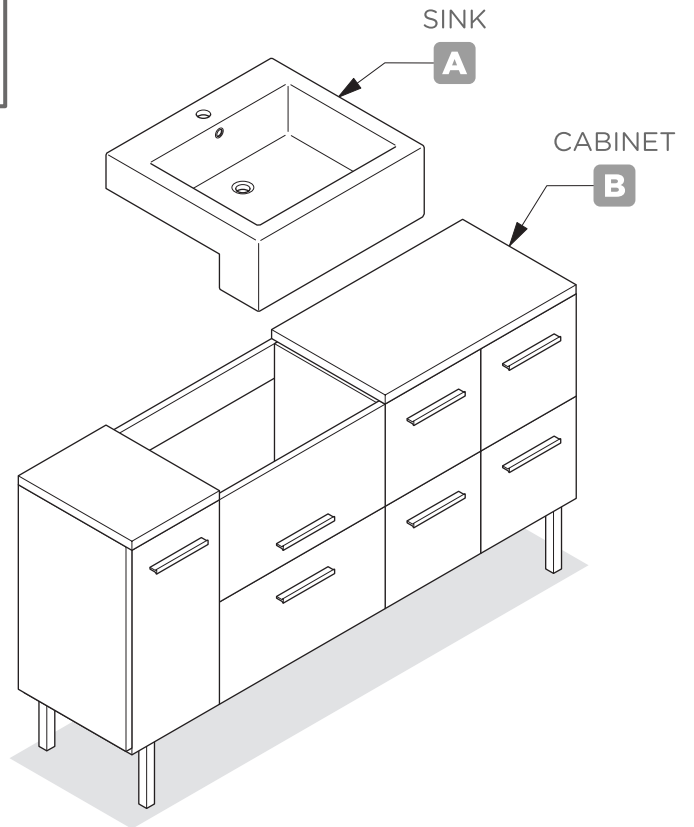
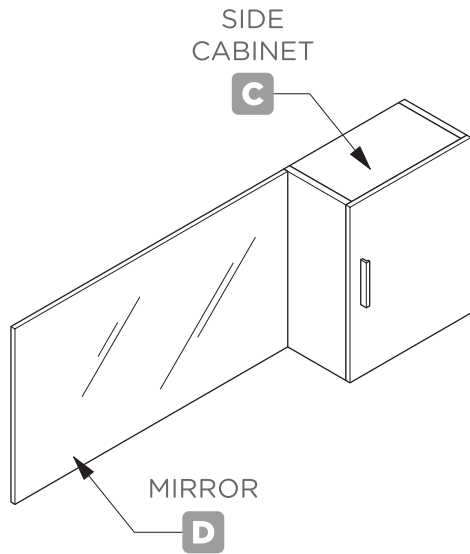


NOTE: ALL DIMENSIONS & SPECIFICATIONS ARE APPROXIMATE AND SUBJECT TO CHANGE WITHOUT NOTICE.

## TOOLS FOR ASSEMBLY



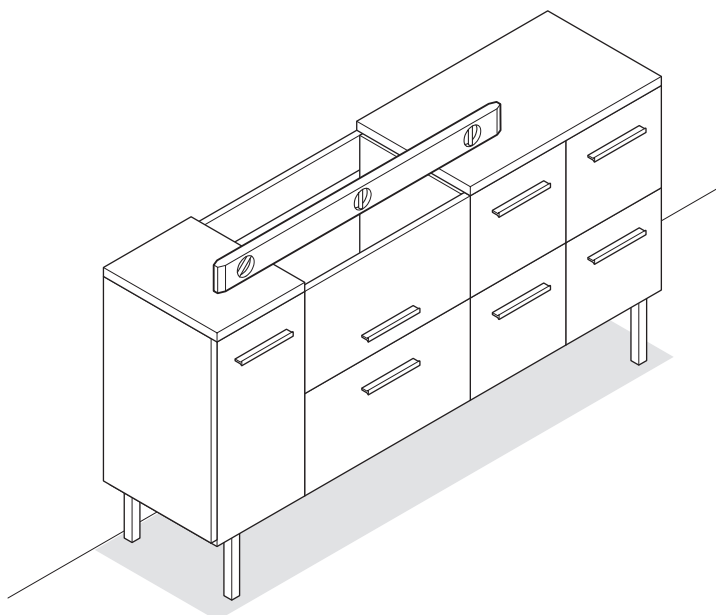
## PARTS



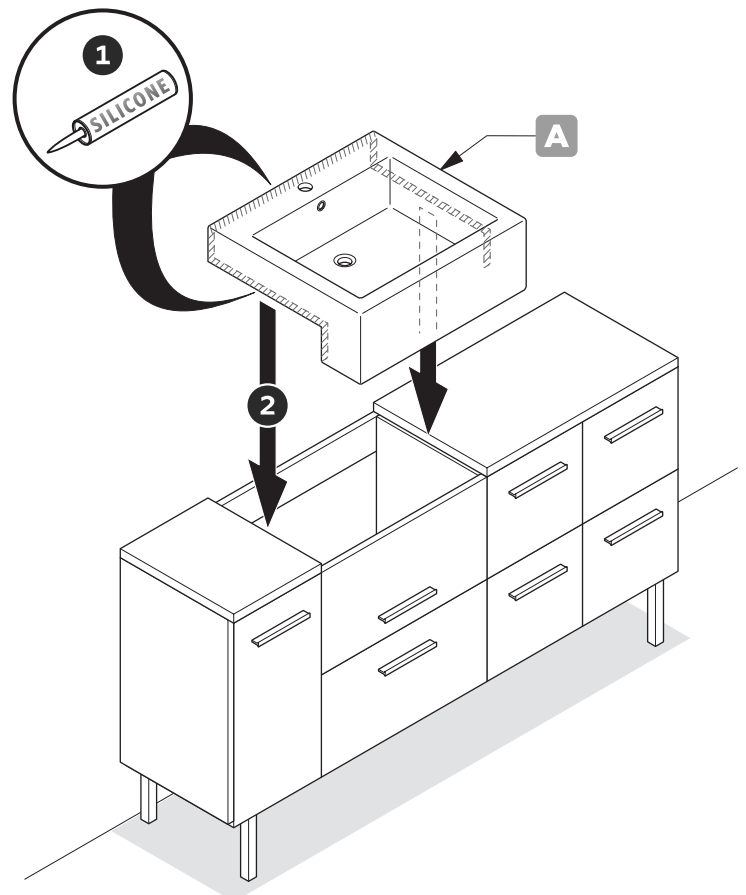
### 1 Place cabinet in designated position.



**NOTE:** Consult an expert for the proper screws/bolts to use when attaching to various constructions. Screws provided do not attach to all wall construction types.

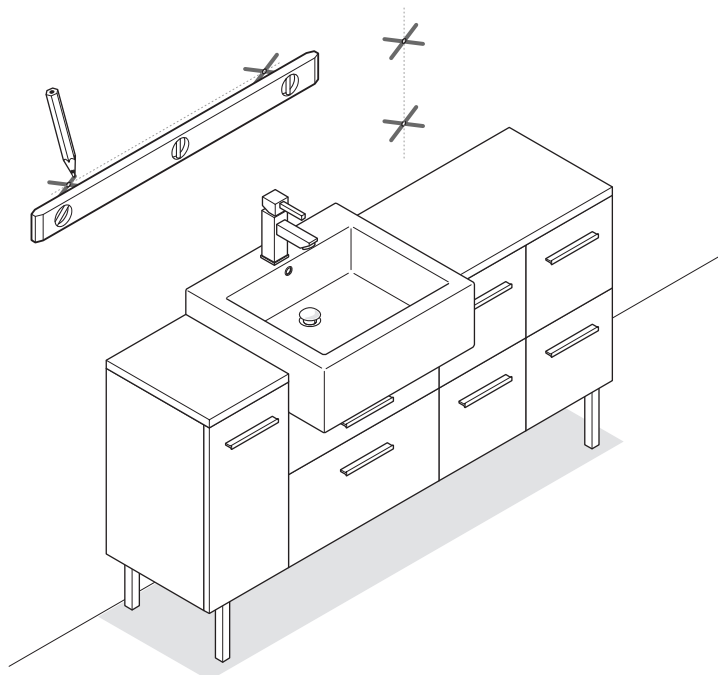


### 2 Apply silicone and place sink (A) on the cabinet.



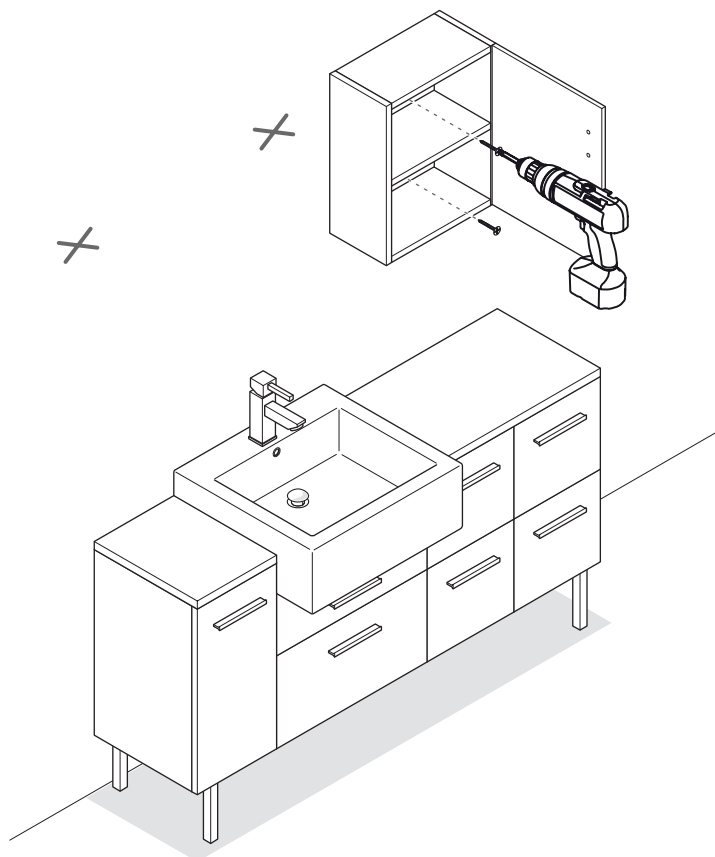
## MIRROR & SIDE CABINET INSTALLATION

- 1** Mark the wall with a pencil using a level for the mounting position.

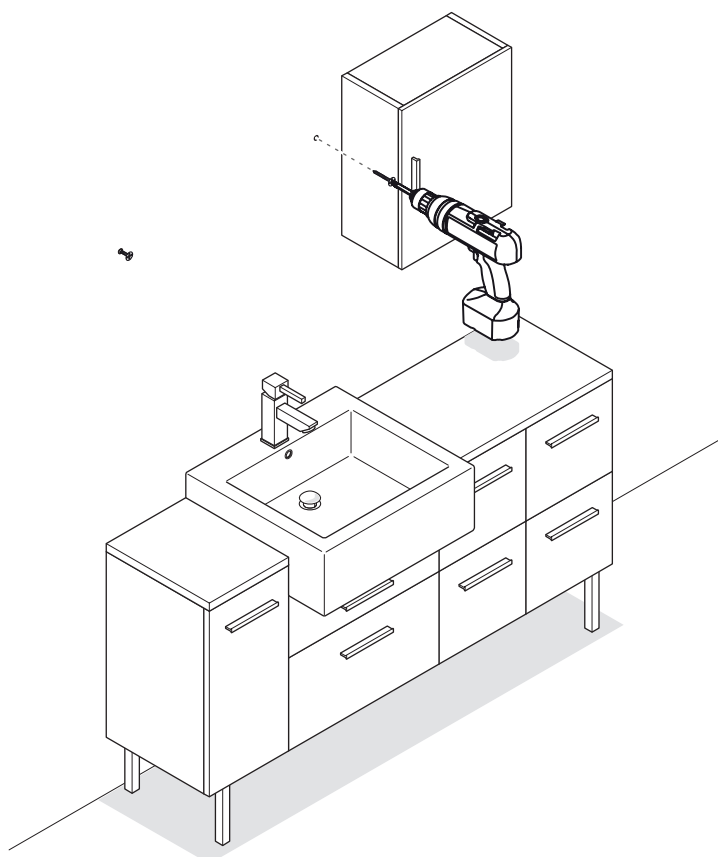


**NOTE** CONSULT AN EXPERT FOR THE PROPER SCREWS/BOLTS TO USE WHEN ATTACHING TO VARIOUS CONSTRUCTIONS. SCREWS PROVIDED DO NOT ATTACH TO ALL WALL CONSTRUCTION TYPES.

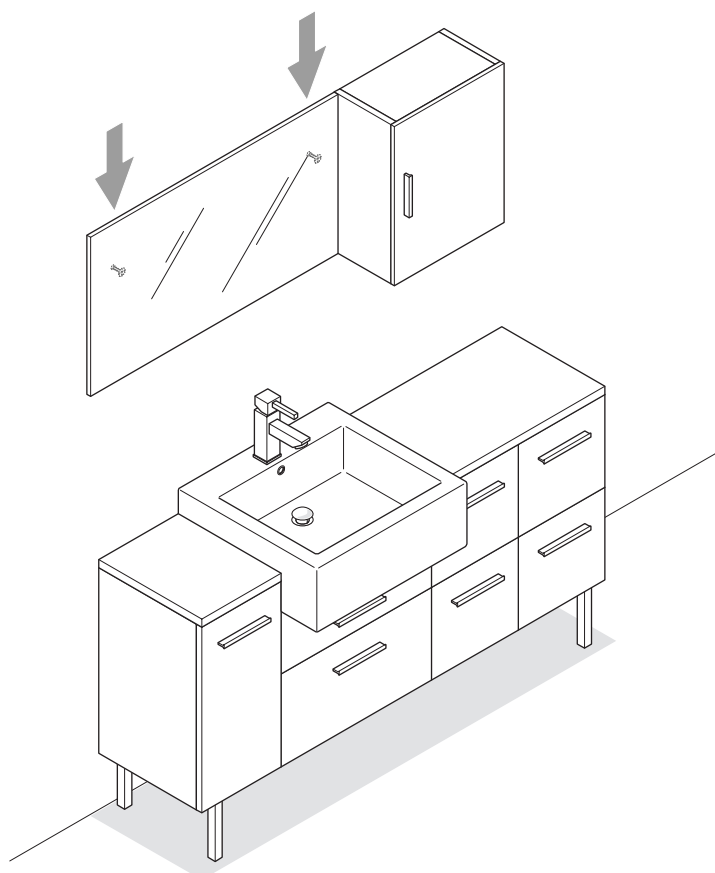
- 2** Attach a side cabinet (C) to the wall with the screws using a drill.



- 3** Insert screws into the wall with a drill leaving just a tip outside the wall.

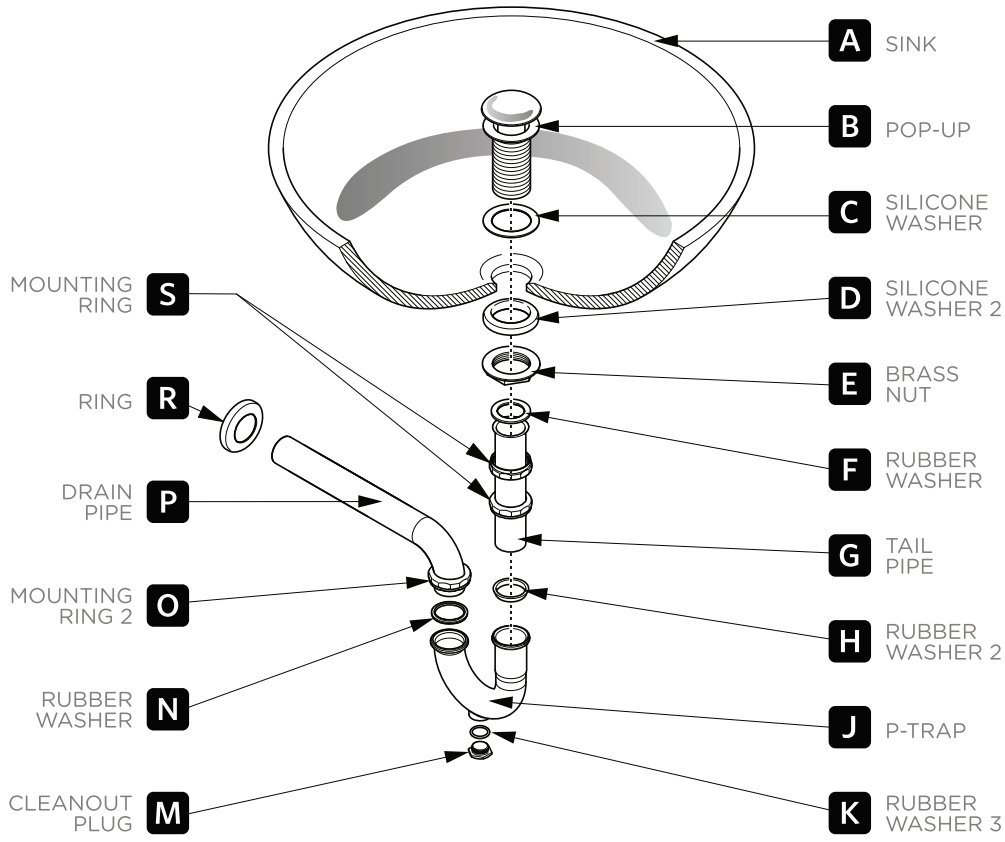


- 4** Hang mirror on the wall.



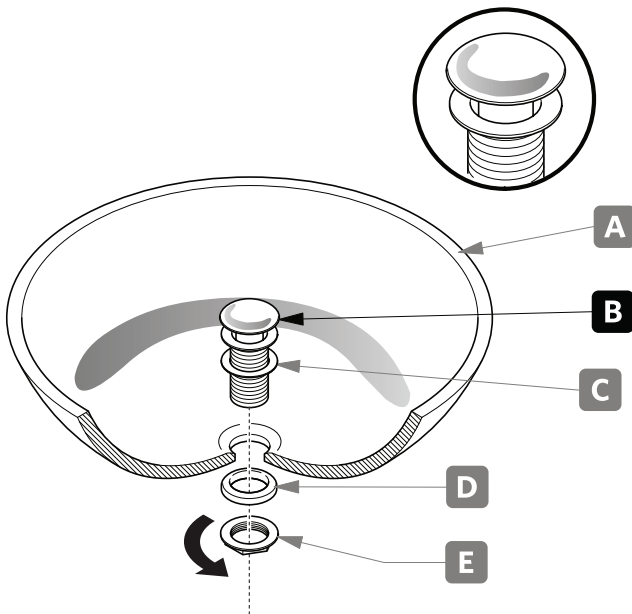
# P-TRAP & POP-UP INSTALLATION INSTRUCTIONS

Your item may appear slightly different from the illustration.



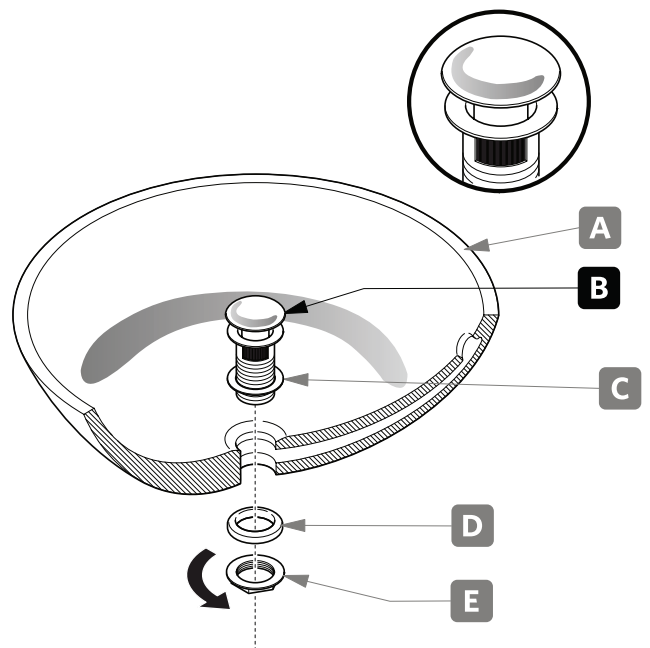
## POP-UP INSTALLATION

**FOR SINKS  
WITHOUT OVERFLOW**



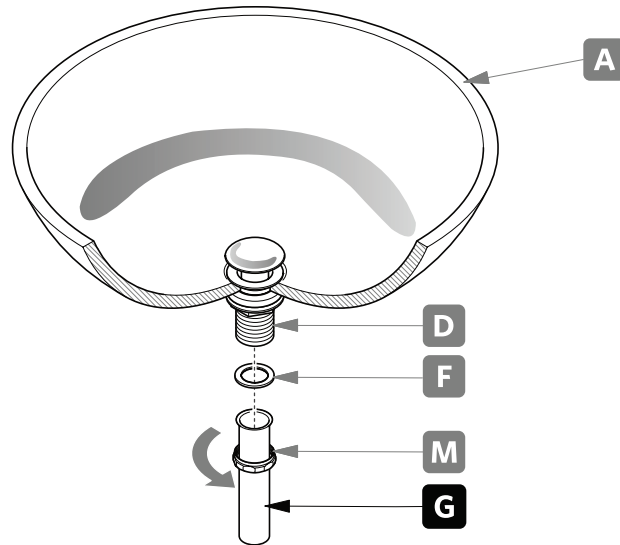
OR

**FOR SINKS  
WITH OVERFLOW**



# P-TRAP INSTALLATION

**1** Install tail pipe (G).



**2** Install P-trap (J).

