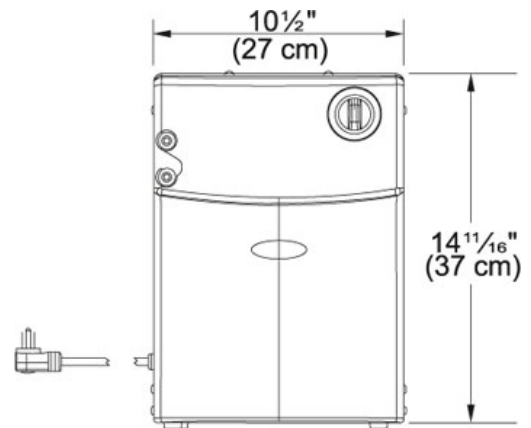


SPECIFICATION SHEET

PRODUCT FAMILY: Point of Use and Filtration FINISH: other SERIES: FILTRATION MODEL: CT200



Product Information

Article Number	119.0355.537
Model Name	CT-200
Version	Chiller and Heating Tanks
Flow Rate	1 gph
Dimensions	267 mm