

Item Number:

JAMES MARTIN

Metropolitan 60" Cabinet

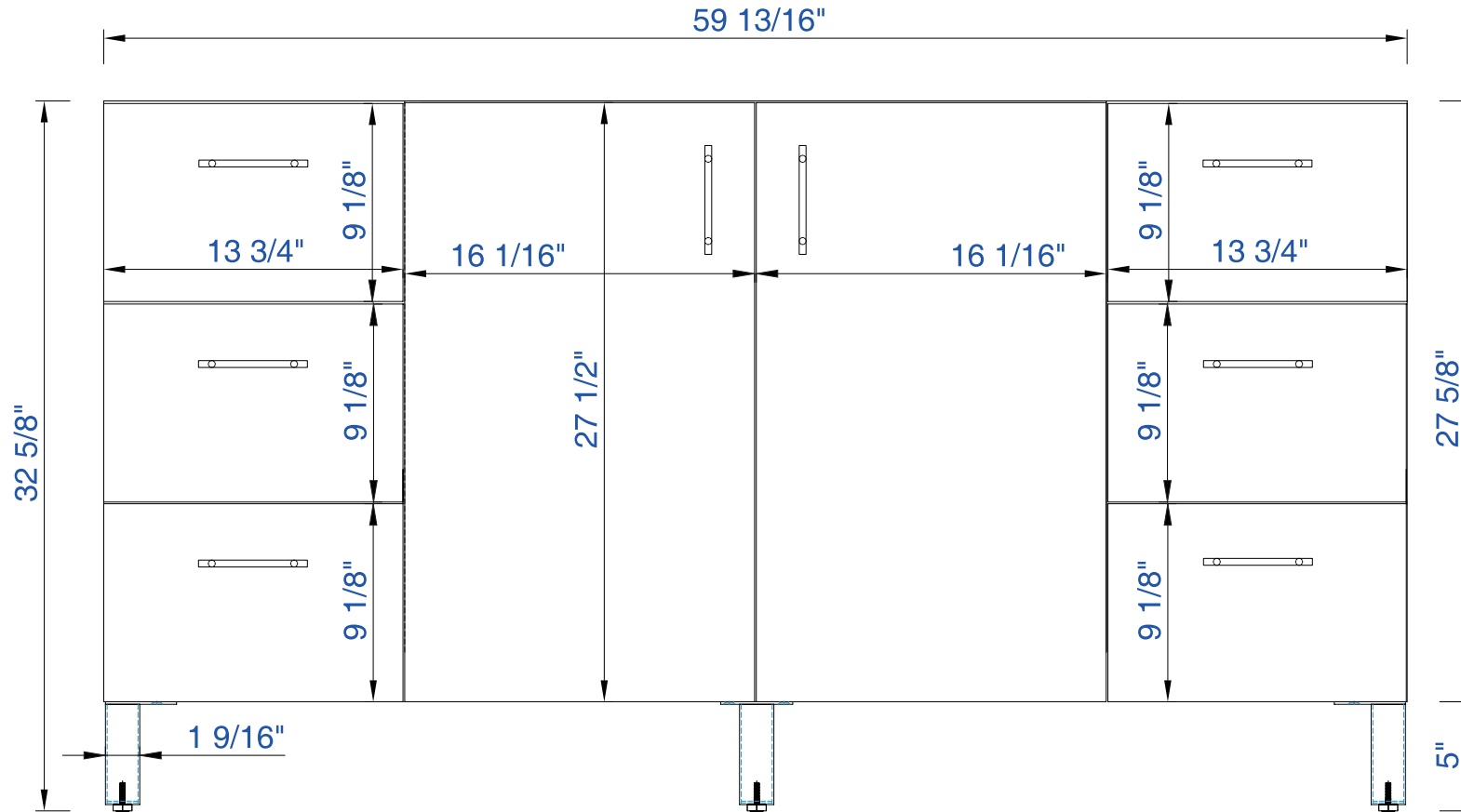
850-V60S-AWT

850-V60S-SOK

Diagrams with Dimensions
page 01 of 03



VANITIES™



NOTE ONE: Countertops are not shown in these diagrams. (Cabinet Only)

NOTE TWO: This vanity does not have a Backsplash.

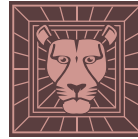
Please consult our website for Countertop Diagrams: www.jamesmartinvanities.com

60" S

Item Number:

850-V60S-AWT
850-V60S-SOK

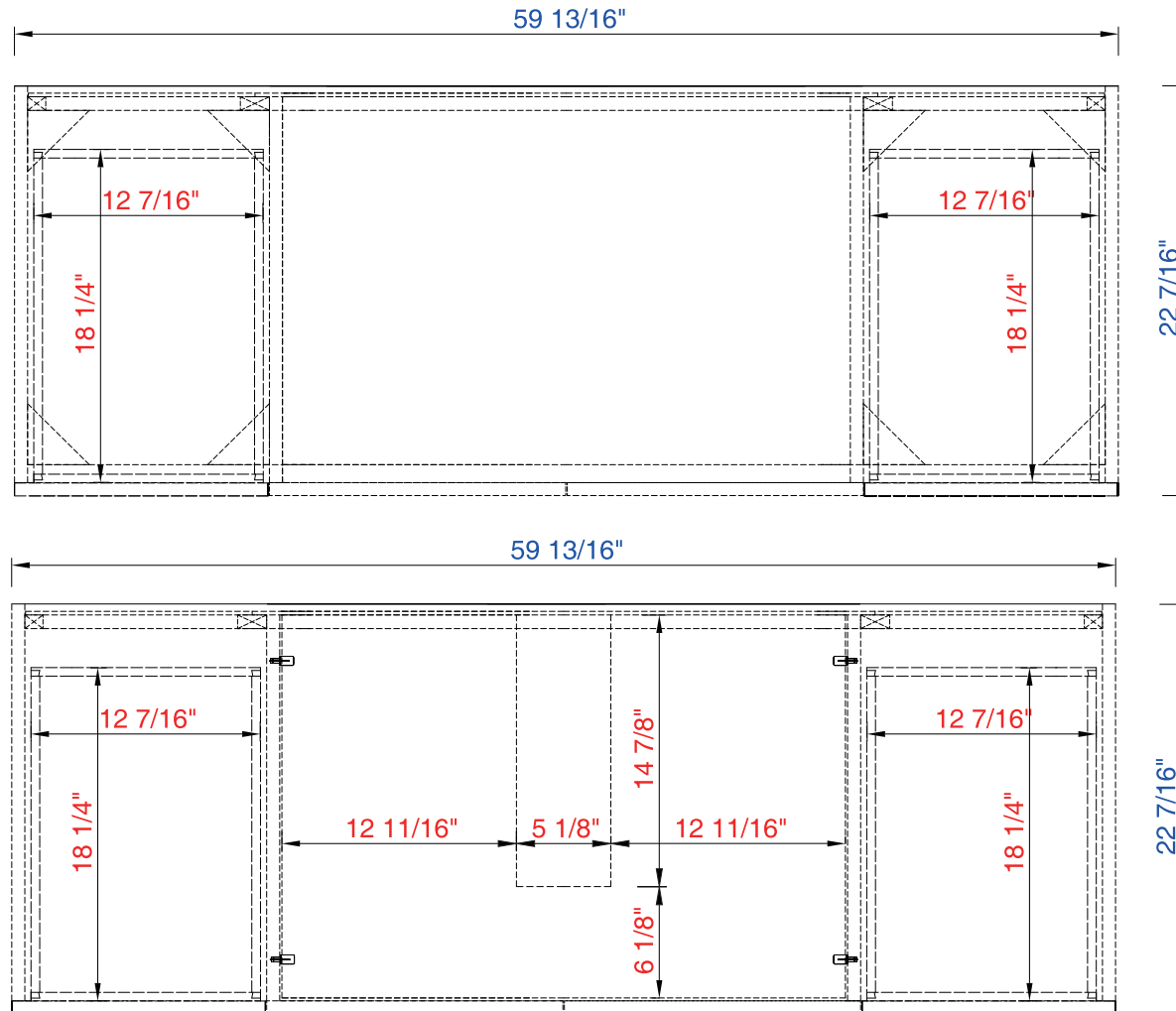
JAMES MARTIN



VANITIES™

Metropolitan 60" Cabinet

Diagrams with Dimensions
page 02 of 03



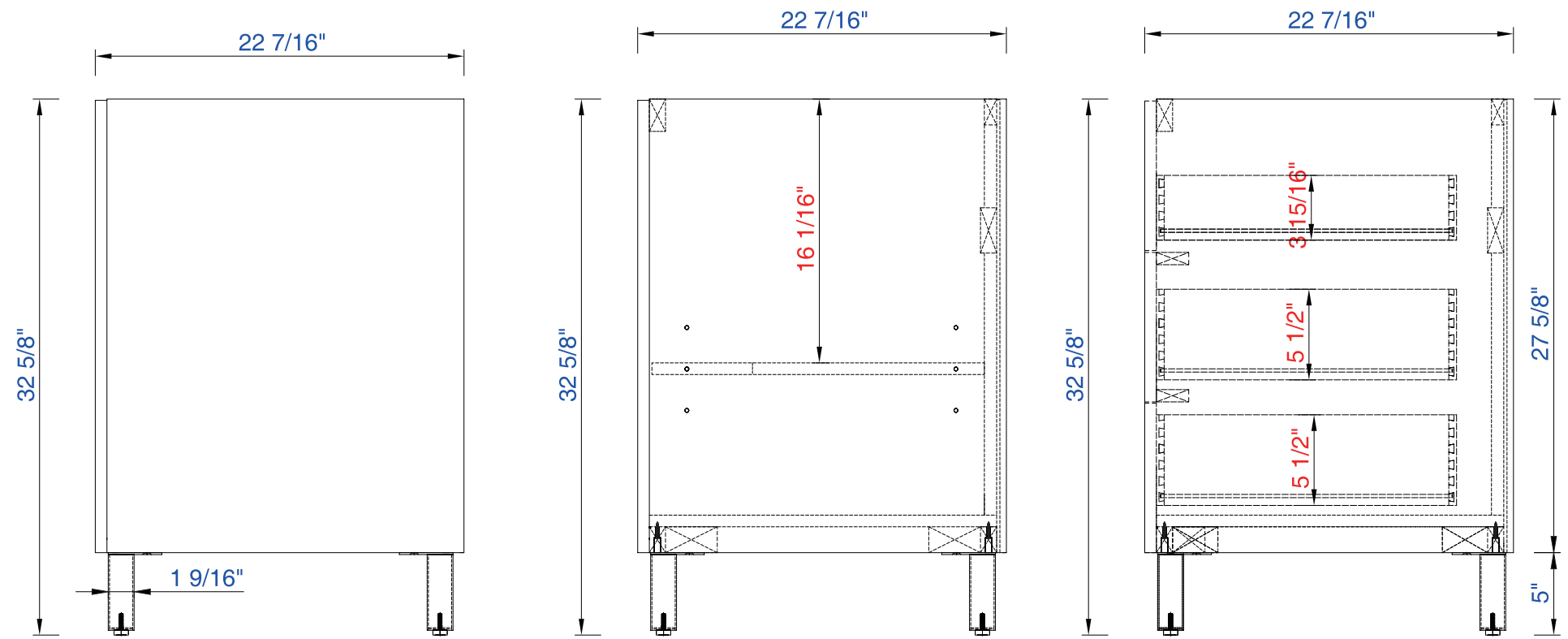
NOTE ONE: Countertops are not shown in these diagrams. (Cabinet Only)

NOTE TWO: Internal Shelves (Shown) are designed to align with sinks in James Martin's Optional Countertops. Customers' own countertops and sinks may align differently, and modification may be required. Please consult our website for Countertop Diagrams: www.jamesmartinvanities.com

Item Number:
850-V60S-AWT
850-V60S-SOK



Metropolitan 60" Cabinet
Diagrams with Dimensions
page 03 of 03



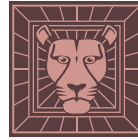
NOTE ONE: Countertops are not shown in these diagrams. (Cabinet Only)
NOTE TWO: This vanity does not have a Backsplash.
Please consult our website for Countertop Diagrams: www.jamesmartinvanities.com

1524mm

Item Number:

850-V60S-AWT
850-V60S-SOK

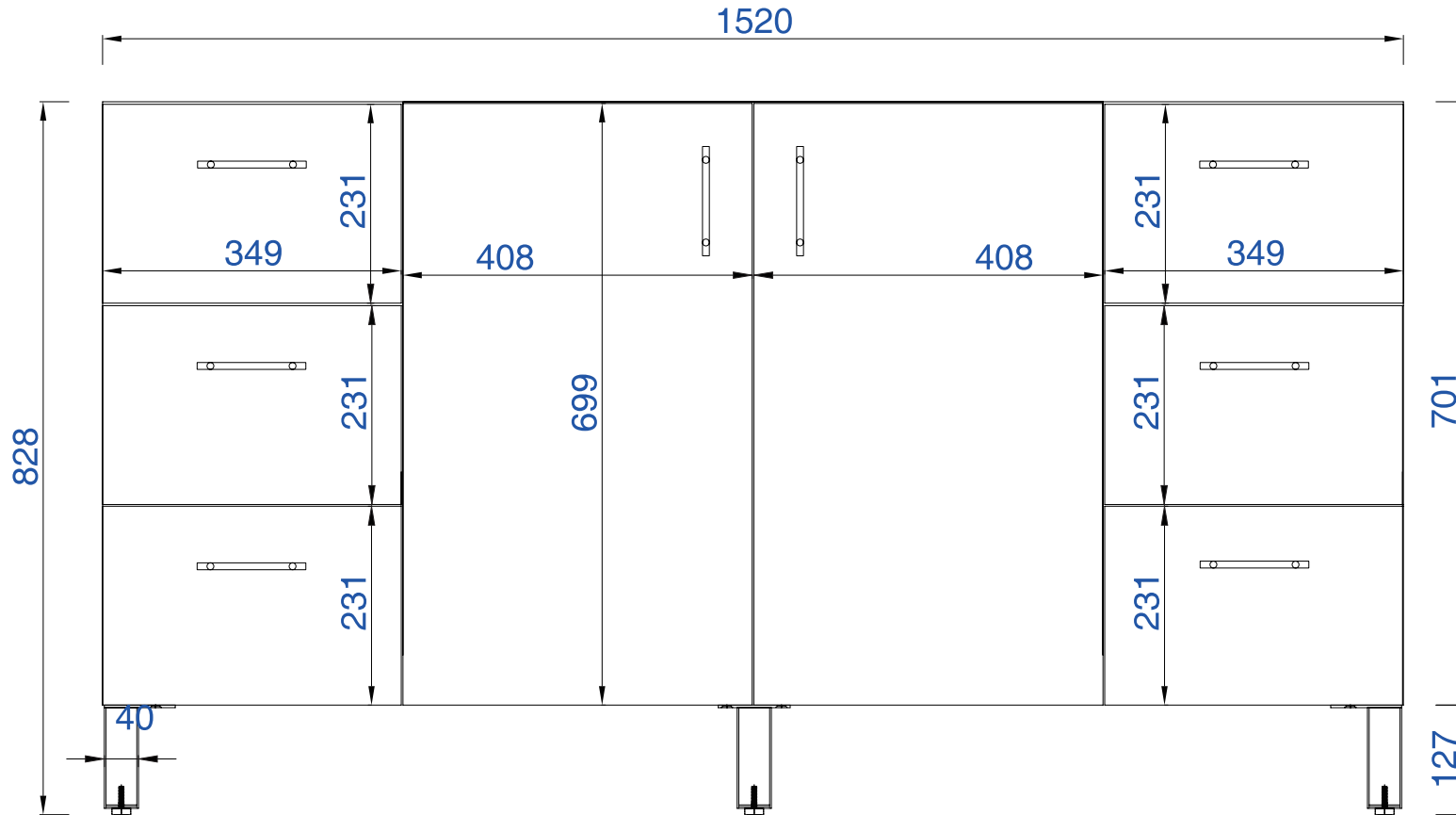
JAMES MARTIN



VANITIES™

Metropolitan 1524mm Cabinet

Diagrams with Dimensions
page 01 of 03



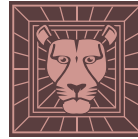
NOTE ONE: Countertops are not shown in these diagrams. (Cabinet Only)

NOTE TWO: This vanity does not have a Backsplash.

Please consult our website for Countertop Diagrams: www.jamesmartinvanities.com

1524mm

JAMES MARTIN

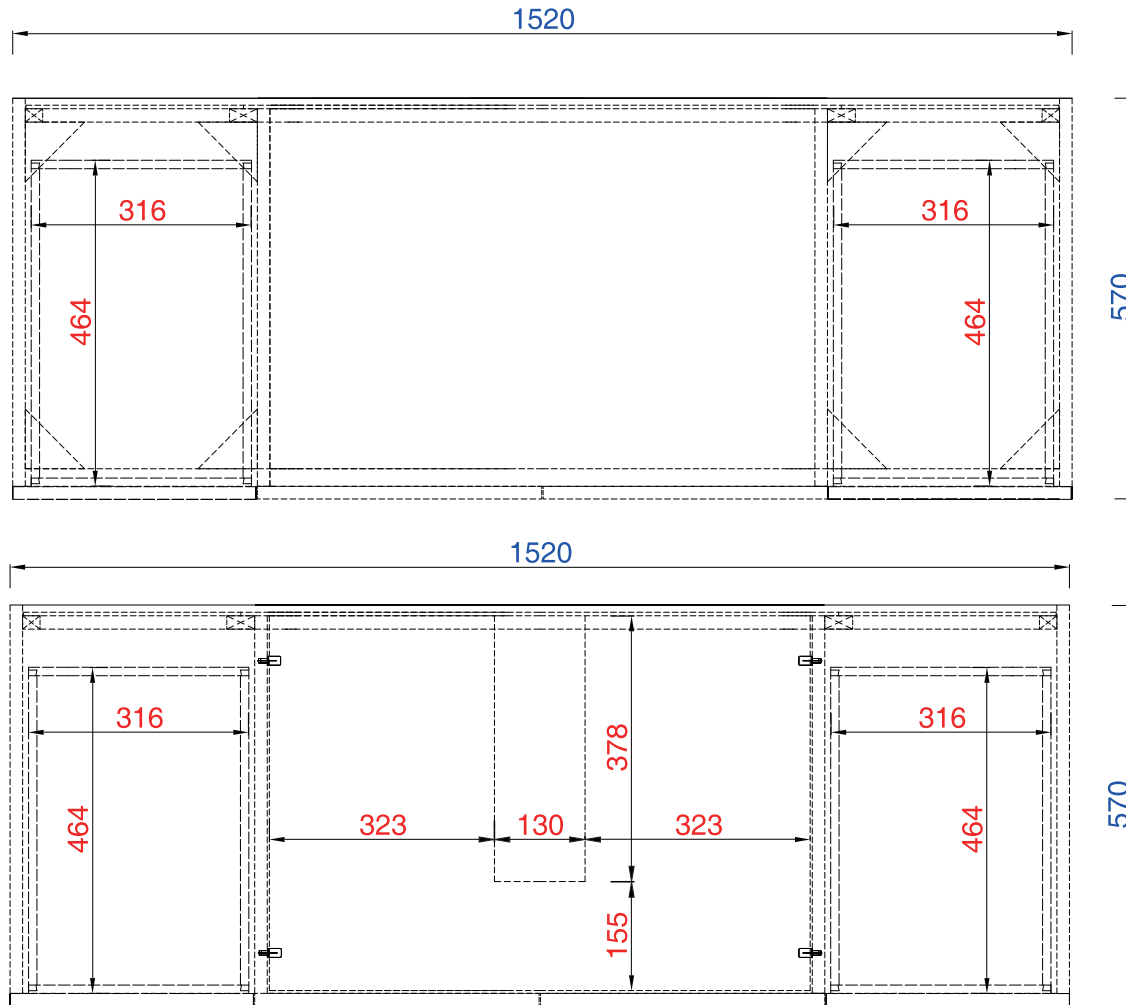


VANITIES™

Metropolitan 1524mm Cabinet

Diagrams with Dimensions
page 02 of 03

850-V60S-AWT
850-V60S-SOK



NOTE ONE: Countertops are not shown in these diagrams. (Cabinet Only)

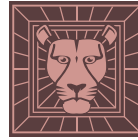
NOTE TWO: Internal Shelves (Shown) are designed to align with sinks in James Martin's Optional Countertops. Customers' own countertops and sinks may align differently, and modification may be required. Please consult our website for Countertop Diagrams: www.jamesmartinvanities.com

1524mm

Item Number:

850-V60S-AWT
850-V60S-SOK

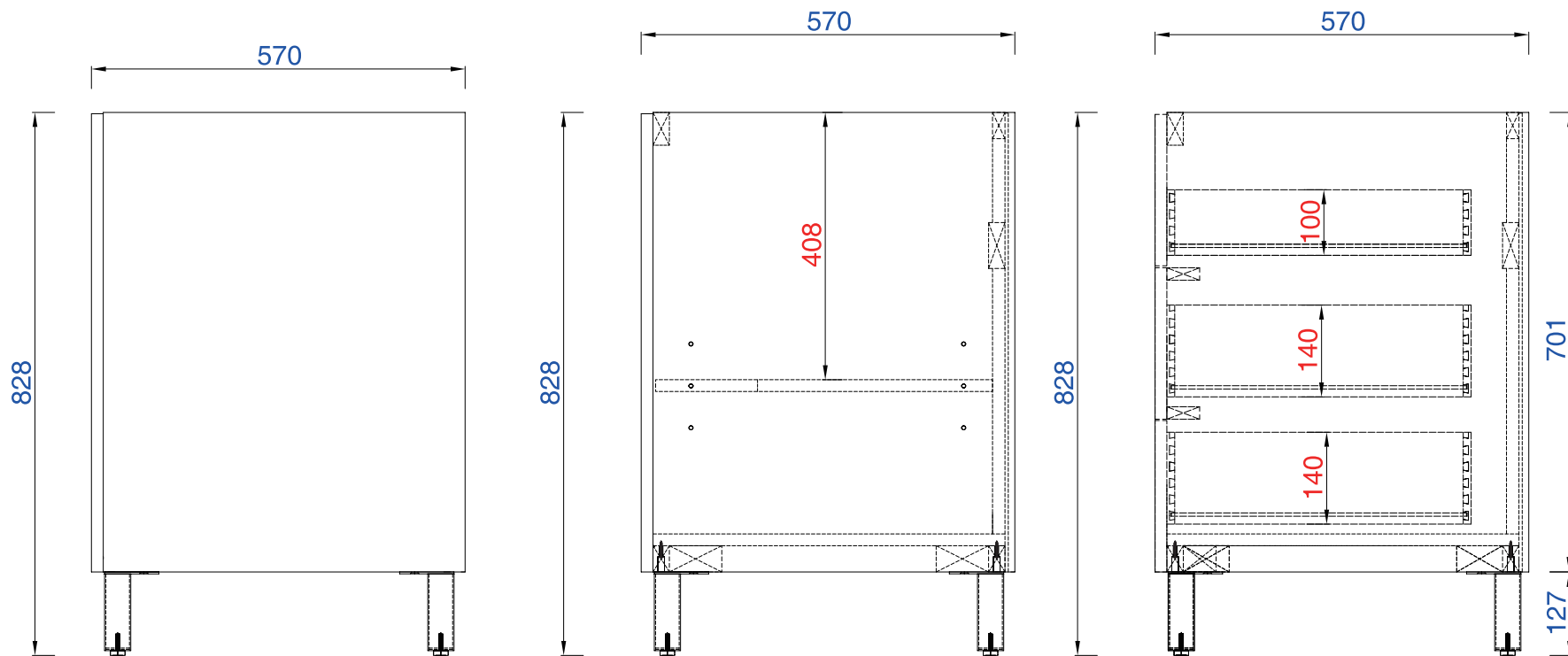
JAMES MARTIN



VANITIES™

Metropolitan 1524mm Cabinet

Diagrams with Dimensions
page 03 of 03



NOTE ONE: Countertops are not shown in these diagrams. (Cabinet Only)

NOTE TWO: This vanity does not have a Backsplash.

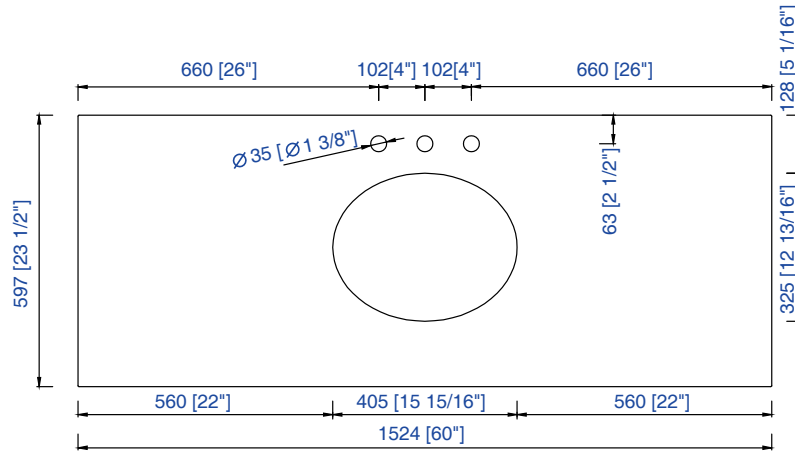
Please consult our website for Countertop Diagrams: www.jamesmartinvanities.com



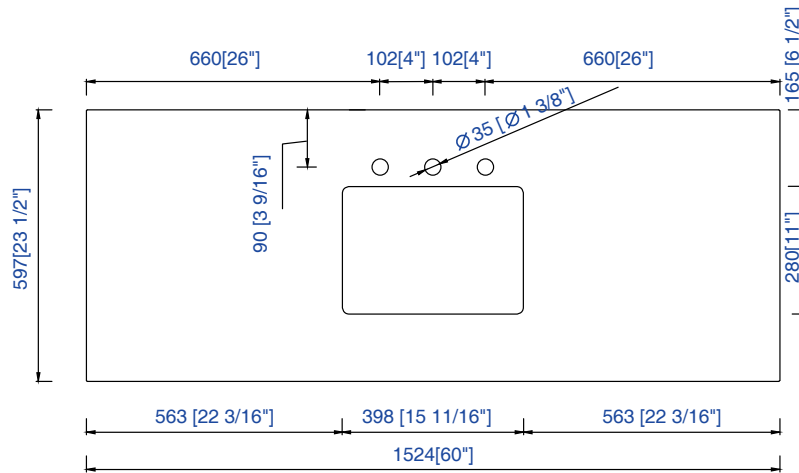
60"S Vanity Top Spec Sheet

James Martin Vanities Company always recommends you consult and/or hire a professional contractor when installing your vanity cabinet and top.

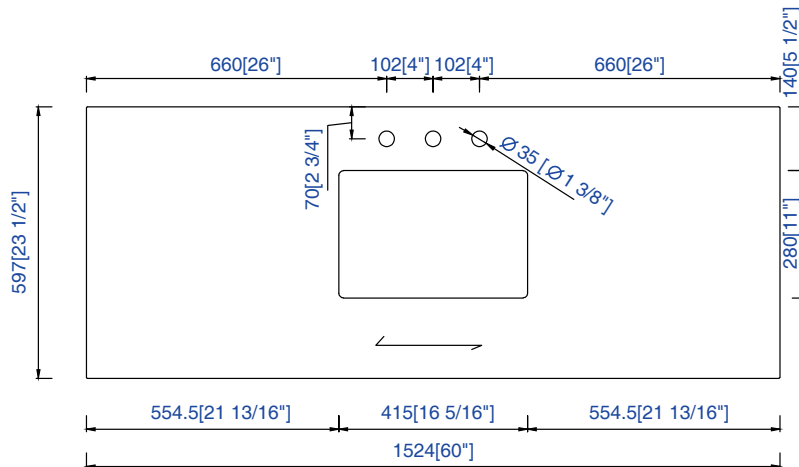
3cm/1.18"
Countertop



James Martin - Natural Stone Countertop Measurement Specification



James Martin - Natural Stone & Solid Surface Countertop Measurement Specification



James Martin - Quartz Countertop Measurement Specification