

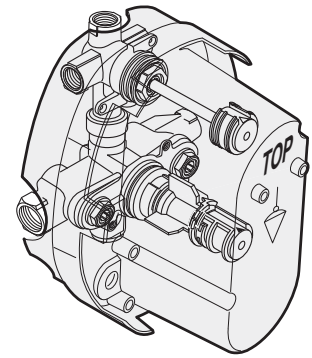
INSTALLATION INSTRUCTIONS

R522
R523

CENTRAL THERMOSTAT WITH BUILT-IN DIVERTER

Thank you for selecting AmericanStandard...
the benchmark of fine quality for over 100 years.

To ensure that your installation proceeds smoothly-please read these instructions carefully before you begin.



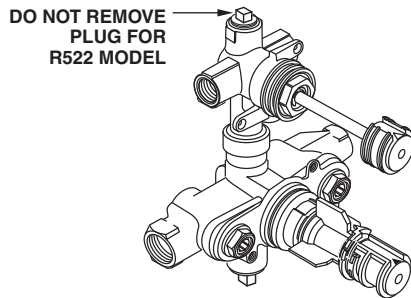
Certified to comply with ANSI A112.18.
ASSE 1016

ROUGHING-IN DIMENSIONS

CONNECTIONS ARE: 1/2" NPT

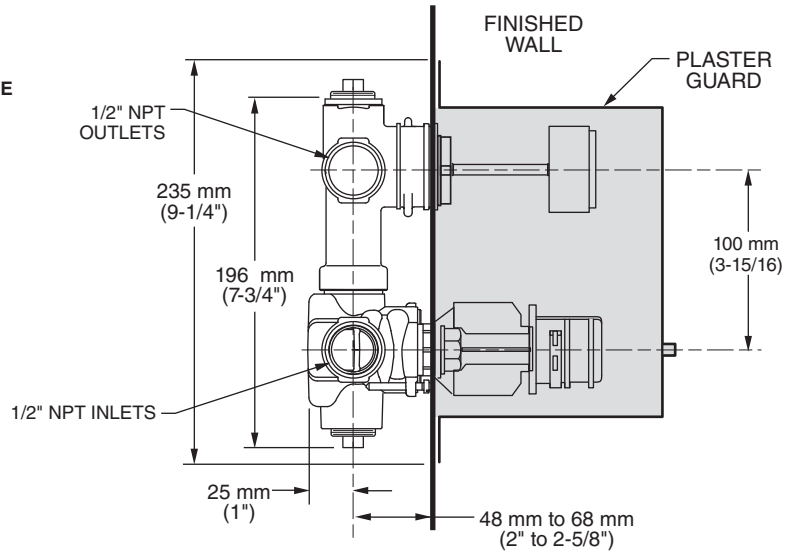
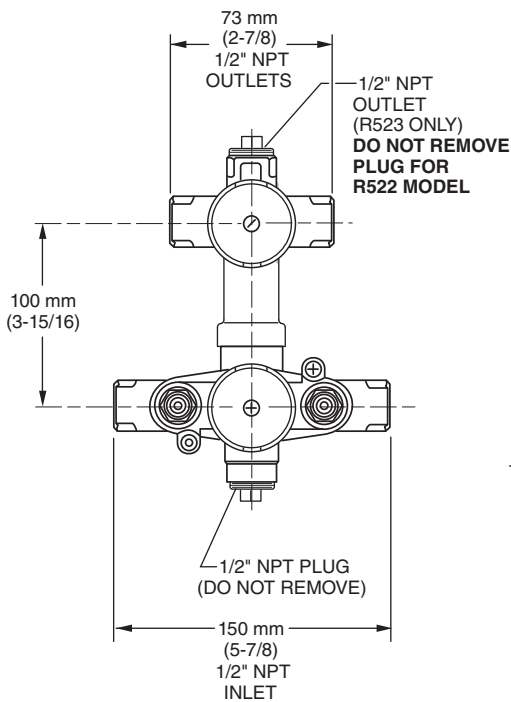
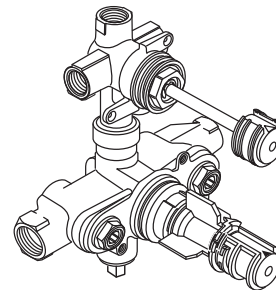
MODEL NUMBER:

R522 Rough Valve Body only
1/2" NPT inlets/outlets. With built-in 2-way diverter



MODEL NUMBER:

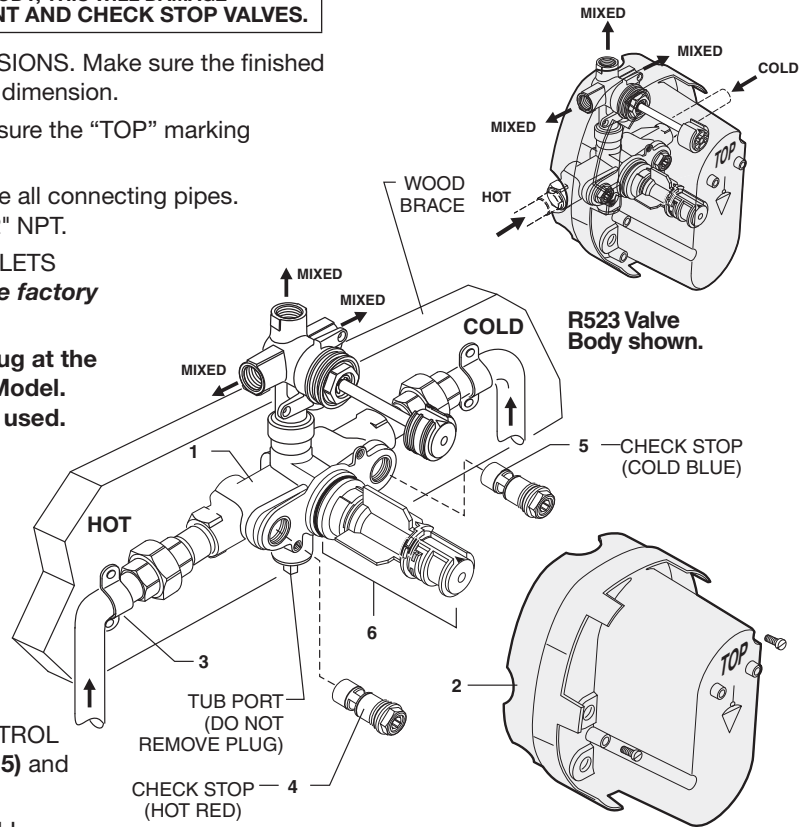
R523 Rough Valve Body only
1/2" NPT inlets/outlets. With built-in 3-way diverter



1 ROUGHING-IN THE VALVE

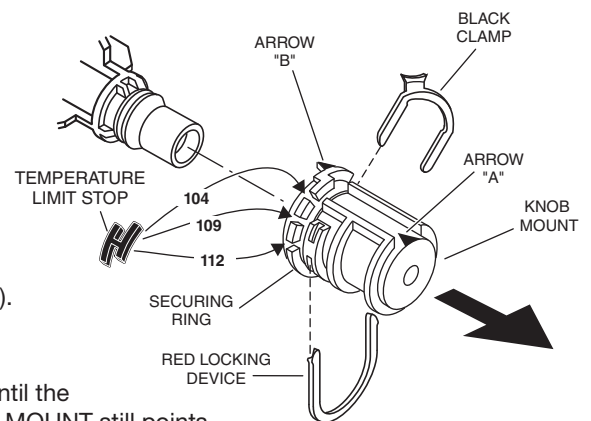
WARNING DO NOT SOLDER DIRECTLY TO THE VALVE BODY; THIS WILL DAMAGE THE TEMPERATURE CONTROL ELEMENT AND CHECK STOP VALVES.

- Prepare water supplies per ROUGHING-IN DIMENSIONS. Make sure the finished wall is between the minimum and maximum rough dimension.
- Install VALVE at indicated height and depth. Make sure the "TOP" marking on the PLASTER GUARD is up.
- Connect the hot and cold water supplies. Assemble all connecting pipes. Flush lines to remove any dirt. Connections are 1/2" NPT.
- Assemble the connection pipes to the MIXED OUTLETS of the VALVE. (*Tab port is fitted with a plug at the factory and is NOT intended for use on this valve.*)
- For R522 Models: The top port is fitted with a plug at the factory. **Warning: Do not remove plug for R522 Model. The valve will not function properly if top port is used.**
- If the CHECK STOPS (4,5) were removed during installation, ensure the hot and cold CHECK STOPS (4,5) are not reversed. The hot CHECK STOP (4) has a red top and the cold CHECK STOP (5) has a blue top.
- CHECK STOPS (4,5) are supplied in the open position. Closing using 5/32" (4 mm) hex wrench to pressure test and to check for leaks.
- To flush lines, remove the CHECK STOPS (4,5) and run water. If desired, the TEMPERATURE CONTROL UNIT can be removed. Reinstall CHECK STOPS (4,5) and CONTROL UNIT (6), if it was removed.
- Reassemble PLASTER GUARD (2) and FINISH WALL.
- **Beware of Freezing.** No water should remain in the MIXING VALVE if freezing is a possibility. Remove the CHECK STOPS (4,5) to completely drain the MIXER UNIT (1).



2 TEMPERATURE ADJUSTMENT

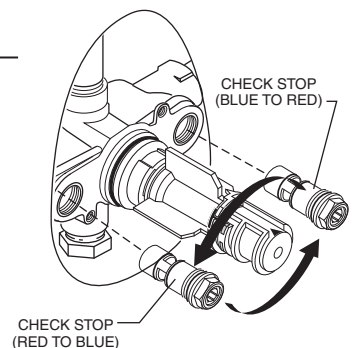
- Unscrew PLASTER GUARD SCREWS and remove PLASTER GUARD.
- Check that arrow marking B points vertically upwards. If not, push the BLACK CLAMP on the SECURING RING to the right, pull off KNOB MOUNT and reinstall KNOB MOUNT with arrow "B" pointing upwards.
- The maximum mixed water temperature is set at 109 F at the factory. This setting can be changed if desired.
- Remove the TEMPERATURE LIMIT STOP (H shaped Black Plastic part). Reinstall it at the desired notch as indicated in the diagram to limit the maximum mixed water temperature to 104 F or 112 F.
- For 100 F adjustment, turn the water supply on. Turn KNOB MOUNT until the spout temperature is 100 F. Check that arrow marking A on the KNOB MOUNT still points upward after adjusting the thermostat to 100 F. If not, pull out the RED LOCKING DEVICE. Remove KNOB MOUNT by pulling it towards you while standing directly in front of the valve.
- Reinstall the KNOB MOUNT so that the arrow marking A points upwards.
- Reinstall RED LOCKING DEVICE.



3 TRANSPOSED SUPPLY PIPING OR BACK TO BACK INSTALLATION

Should the hot and cold water supply pipes have been transposed making adjustment impossible, proceed as follows:

- Shut off water supply
- Remove handle and rim
- Remove check stops and re-install them transposed
- **Important note:** RED CHECK STOP is now on the right of the mixer body and the BLUE CHECK STOP is now on the left.
- Turn the water supply back on and perform the temperature adjustment in step 2.



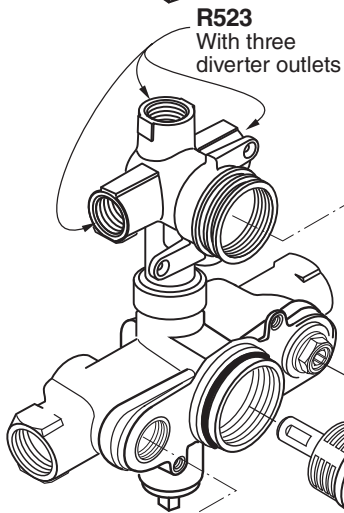
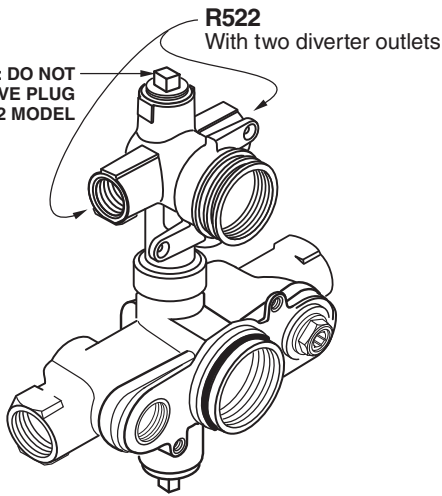
American Standard

CENTRAL THERMOSTAT WITH BUILT-IN DIVERTER

MODEL NUMBER

R522 R523

WARNING: DO NOT REMOVE PLUG FOR R522 MODEL



M951480-0070A
2-WAY DIVERTER
M951475 -0070A
3-WAY DIVERTER

M907311-0070A
FIXATION NUT

A923348-0070A
HANDLE ADAPTER

953950-0070A
CHECK STOP (COLD BLUE)

A955585-0070A
THERMOSTAT CARTRIDGE

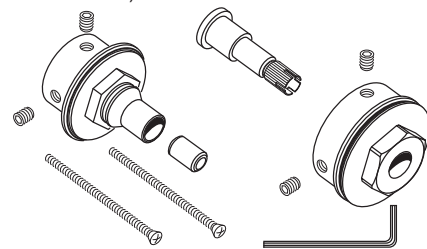
953963-0070A
HANDLE EXTENSION

953951-0070A
CHECK STOP (HOT RED)

912647-0070A
O-RING

953957-0070A
TEMPERATURE CALIBRATION UNIT

963434-YYY0A DEEP ROUGH KIT
(SOLD SEPARATELY)



HOT LINE FOR HELP

For toll-free information and answers to your questions, call:

1 (800) 442-1902

Mon. - Fri. 8:00 a.m. to 8:00 p.m. EST

Saturday 10:00 a.m. to 4:00 p.m. EST

IN CANADA 1-800-387-0369

(TORONTO 1-905-306-1093)

Weekdays 8:00 a.m. to 7:00 p.m. EST

IN MEXICO 01-800-839-1200

