



GLASSCRAFTERS INC.

GLASSCRAFTERS, INC  
193 Veterans Blvd., Carlstadt, NJ 07072

1+(800) 233-7362 (F) 1+(888) 233-7362  
sales@glasscraftersinc.com

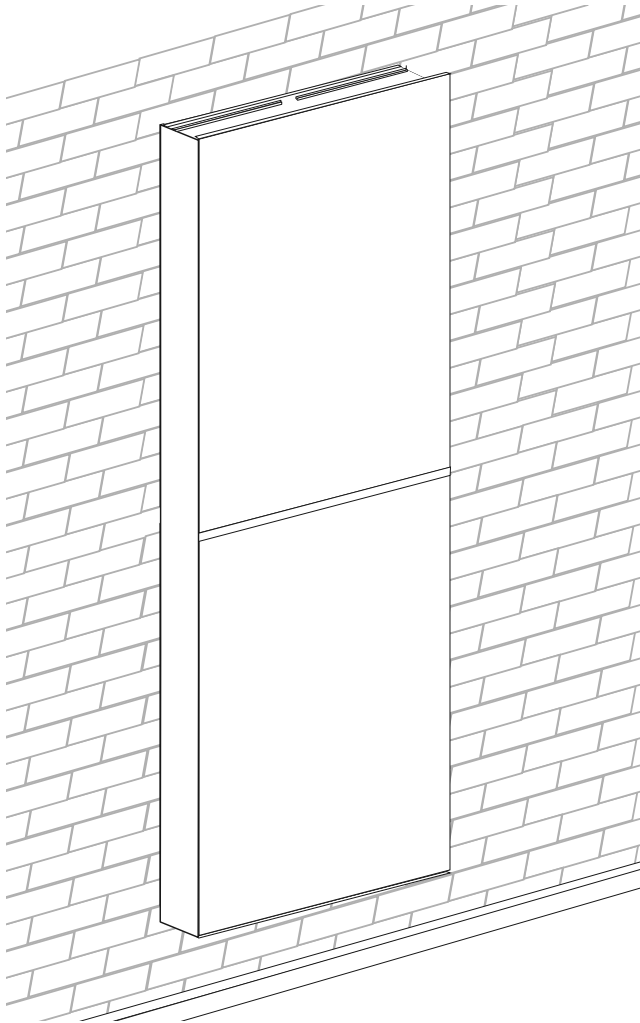
# Vertical Tier System Mirrored Cabinets Installation Instructions

Congratulations on your purchase of Americas finest Mirrored Cabinet by GlassCrafters, Inc. World class engineering and state of the art design will enable you to enjoy your cabinet for many years to come.

We realize that the marketplace offers many choices and we thank you for selecting GlassCrafters for your Mirrored Cabinet needs.

The following instruction sheets include the ALL MODELS listed below in both 4" deep and 6" deep Mirrored Cabinets.

To insure proper installation we recommend installation by a professional installer.



## Vertical Tier System Mirrored Cabinets

### Surface Mounted 4" deep cabinets:

Widths -- 16", 20" & 24 "

Heights -- 54", 60", 66" & 72"

### Surface Mounted 6" deep cabinets:

Widths -- 16", 20" & 24 "

Heights -- 60", 66" & 72"

### Recessed mounted 6" deep cabinets:

Widths -- 16", 20" & 24 "

Heights -- 60", 66" & 72"

**SAVE THESE INSTRUCTIONS  
FOR FUTURE REFERENCE**

To view a video showing helpful tips on how to -- adjust our Cabinet Hinges or to install our Mirrored Side Kits, please go to: [GlassCraftersMirroredCabinets.com](http://GlassCraftersMirroredCabinets.com) and navigate to the cabinet product that you are installing. Simply click on the installation tab (located below the product images) to view our installation videos.

Please use extreme care while unpacking and handling your GlassCrafters' Mirrored Cabinet. Report any damage immediately to our GlassCrafters' customer service team at 800-233-7362, Monday thru Friday from 8:00 am to 5:00 pm (EST).

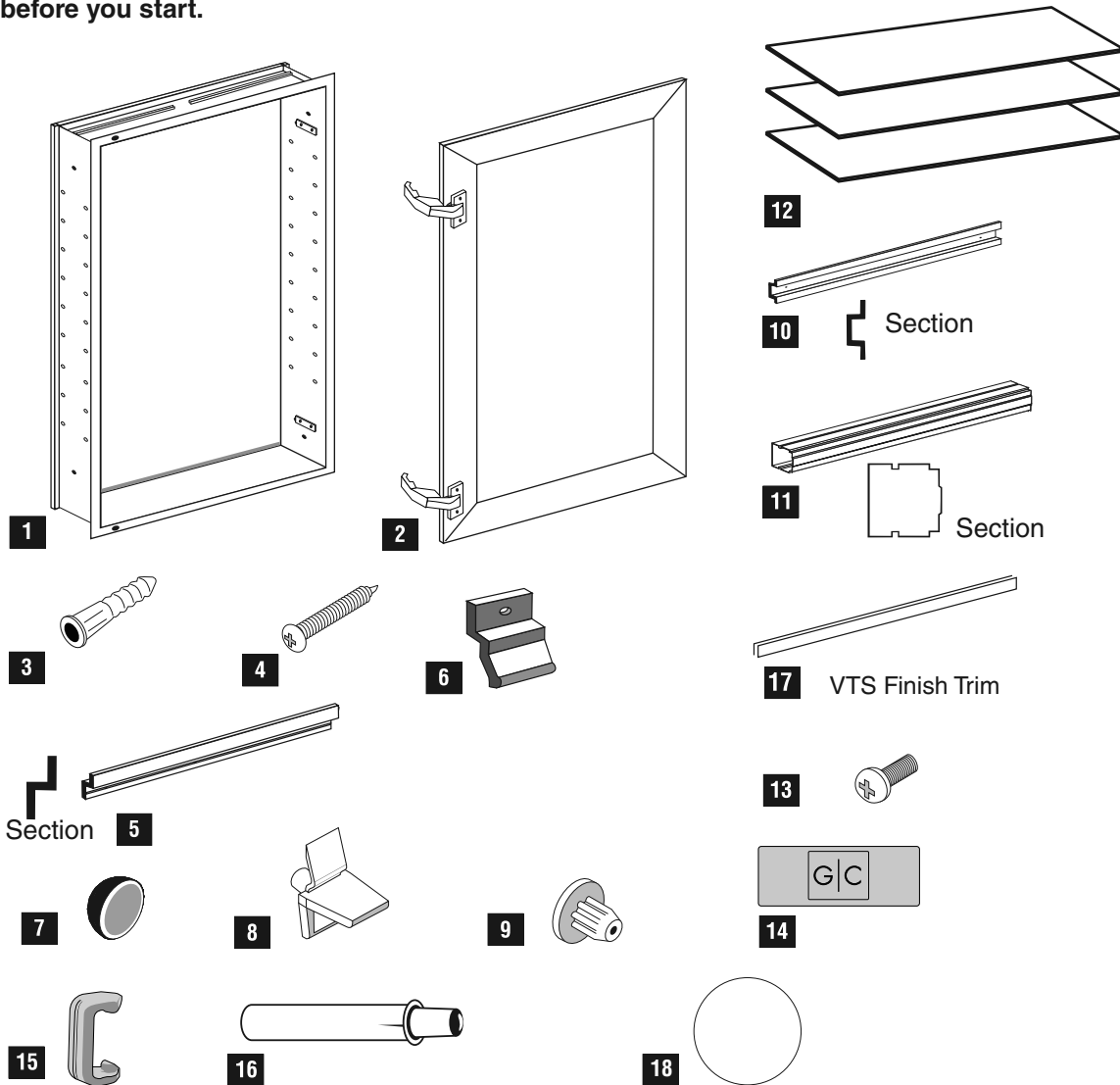
# Mirrored Cabinet Installation -- Unpack all parts carefully and protect Glass and Mirror parts during installation.

## Index

Parts List for All Models.....	2	Side Kit Installations.....	8
Determining the Rough Opening.....	3	Glass Shelves.....	9
Recessed & Semi Recessed VTS Cabinets.....	4 & 5	Cleaning Recommendation.....	9 & 12
Surface Mount VTS Cabinets.....	6 & 7	Door Installation and Adjustment.....	10
		Limit Clips.....	11
		Warranty.....	12

## Parts List

Carefully review all parts and read the installation instruction before you start.



- |                                      |                                       |
|--------------------------------------|---------------------------------------|
| 1. Cabinet                           | 10. VTS Wall Mount Bracket            |
| 2. Door, (boxed separately)          | 11. VTS Spacer                        |
| 3. Plastic Wall anchors              | 12. Glass Shelves                     |
| 4. Wall Anchor Screws                | 13. Cabinet Connector Mounting Screws |
| 5. Bottom Surface Mount Wall Bracket | 14. Hinge Cover Name Plates           |
| 6. Top Surface Mount Bracket         | 15. 130 Degree Limit clips            |
| 7. Screw Caps                        | 16. Soft Close Cushion                |
| 8. Shelf Clips                       | 17. VTS Finish Trim                   |
| 9. Hole Plugs                        | 18. 3X Magnification Mirror           |

To insure proper installation in complete compliance with your warranty, we recommend installation by a professional installer.

## Tools Required for Installation

GlassCrafters recommends the following tools to properly and safely install your Mirrored Cabinets.

- A. Safety Glasses -- should be worn at all times
- B. Tape Measure
- C. Level
- D. #2 Phillips Head Screw Driver

- E. Power Screw Driver
- F. Electric Drill
- G. 8mm 3/16" Masonry Drill Bit
- H. 7/32" Drill Bit
- I. Non Ammonia Household Glass Cleaner
- J. Soft Paper Towels

### Rough Opening:

Note: Cabinet installs over finished wall with sheetrock and/or tile finishes completed. 3/4" Flange on all sides of the cabinet will cover the remaining space in the R.O.

## Determining the Rough Opening "R.O." Dimension

Framing in new construction should follow these dimension. Standard 2x4 studs and 1/2" sheetrock are shown in the illustrations. For 6" deep models a semi-recessed application is necessary.

4" & 6" deep cabinets		
Model Number	Rough Opening Single Width Tiered Cabinets	
	Width	Height
R-VTS-16-54H	14 3/8"	54 3/16"
R-VTS-16-60H	14 3/8"	60 3/16"
R-VTS-16-66H	14 3/8"	66 3/16"
R-VTS-16-72H	14 3/8"	72 3/16"
R-VTS-20-60H	18 3/8"	60 3/16"
R-VTS-20-66H	18 3/8"	66 3/16"
R-VTS-20-72H	22 3/8"	72 3/16"
R-VTS-24-60H	22 3/8"	60 3/16"
R-VTS-24-66H	22 3/8"	66 3/16"
R-VTS-24-72H	22 3/8"	72 3/16"

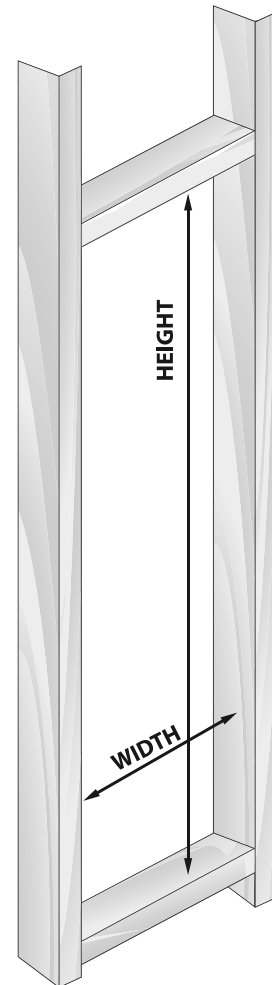
6" deep cabinets may be installed fully recessed where 2x6 studs are used or semi recessed with standard 2x4 studs. Special side mirror kits are available for semi recessed installations.

Single Cabinet width "R.O." Rough Opening formula:  
Overall cabinet width less 5/8" = Rough Opening

Example: Model R-VTS-16 = 15" overall width less 5/8" = 14 3/8" R.O. width.

Example:  
Two (2) 30" height cabinets = 60" + 3/16" = 60 3/16" R.O. Height

Rough Opening Height: overall cabinet height + 3/16" = R.O. Height.



**Important: Make sure you allow for a minimum of 1" clearance above or below any obstructions to the door swing such as:**  
**at the top -- light fixtures; and**  
**at the bottom baseboard trim, cabinets & heating elements.**

## Installing a Recessed & Semi-Recessed Mirrored Cabinet

**A.** Determine the rough opening for the cabinet. Refer to "R.O." formula chart on page 3. Opening must be plumb and level.

**B.** Cabinet can be hinged on left or right. Simply flip the cabinet to change hinge location. For multiple cabinet units determine the hinge location for each unit before they are joined together and mark the top of each unit.

**C.** Insert Bottom cabinet in R.O. and center, Cabinet Flange covers any space in the R.O. around the cabinet and should cover the finished surfaces--Sheetrock and/or tile.

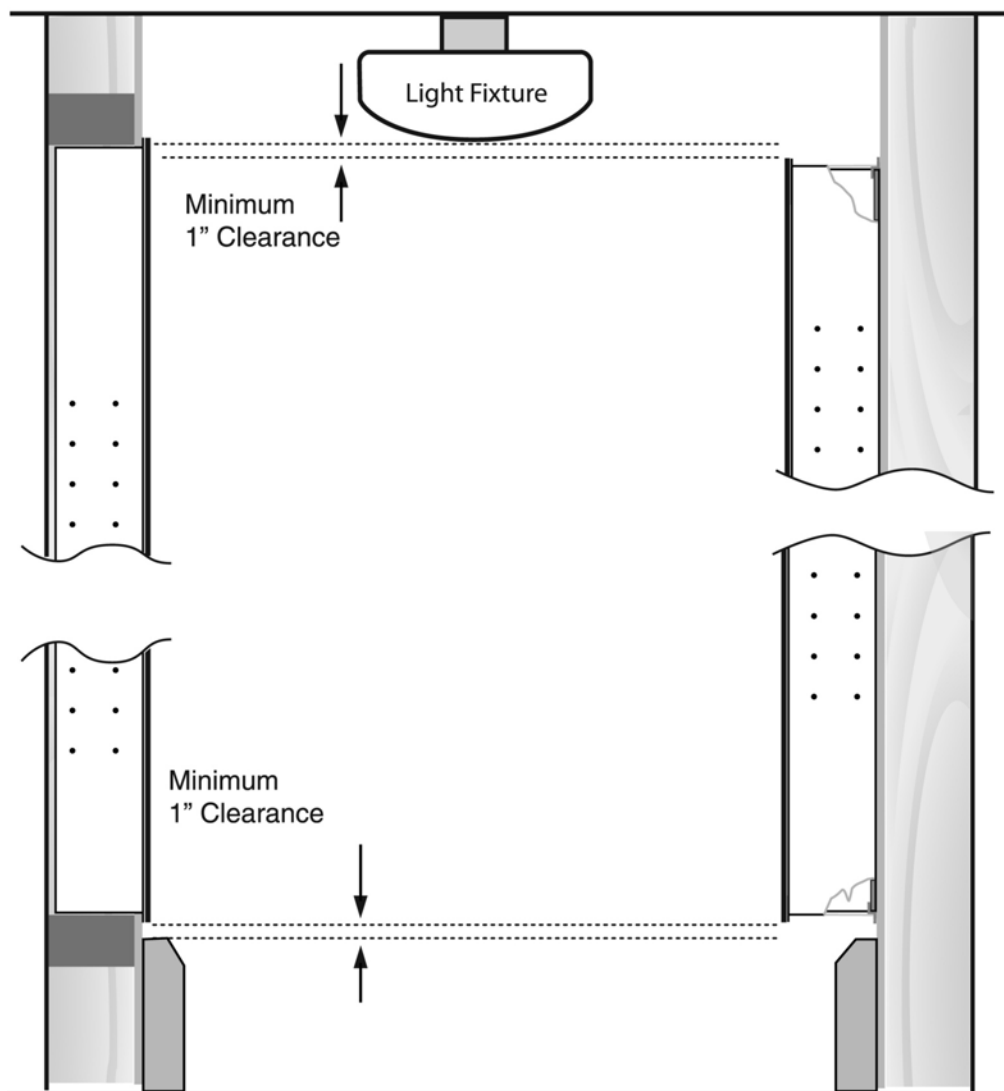
Install the cabinet with four (4) #10 x 1 1/2" wood screws (supplied). Use the pre-punched holes above and

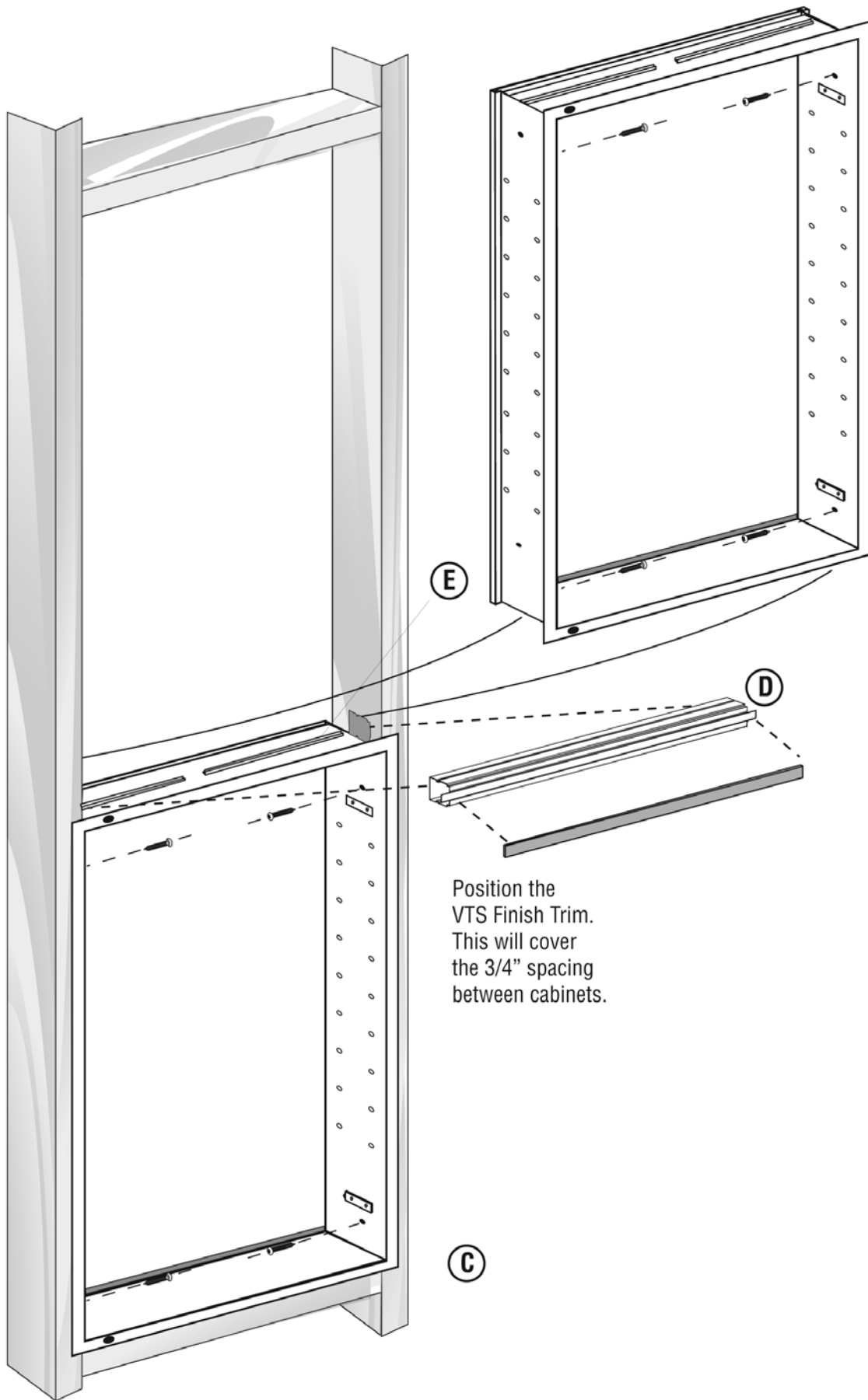
below the hinge plates (as shown). Do not overtighten. Cover screws with four screw caps (part #434).

**D.** Place the VTS spacer on the top front of the bottom cabinet. Test fit the top cabinet. Check that it is plumb and level.

**E.** Clean the top of the base cabinet to insure that the spacer tape will firmly adhere. Remove tape covering and attach spacer to the bottom cabinet. (DO NOT REMOVE THE TAPE COVER FOR THE TOP UNIT UNTIL YOU TEST FIT AGAIN.)

**F.** Remove the top tape covering and re-install the cabinet and attach in place on the spacer. Make sure that the VTS Spacer fits properly between the top and bottom Cabinets. Fix to the the studs with four (4) #10 x 1 1/2" wood screws (supplied).





Position the  
VTS Finish Trim.  
This will cover  
the 3/4" spacing  
between cabinets.

## Installing a Surface Mounted Vertical Tier System Mirrored Cabinet

**A.** Determine the desired height and use a level to mark a horizontal line. Be sure to allow a minimum clearance of 1" above and below any light fixture, obstruction and plumbing fixtures. Remember the base of the cabinet box is 3/4" smaller than the face and the door.

**B.** After the bottom wall mount bracket is properly fastened to the wall, unpack the VTS Wall Bracket, VTS-Spacer, Plastic Wall Anchors and Screws from the package. The VTS Spacer & Brackets will give you the exact height for the top cabinet.

**C.** Determine the desired hinge side of the cabinet; place the bottom cabinet into the bottom wall mount bracket (see step 1). Place the VTS Wall Bracket on the top flange of the bottom cabinet as illustrated (see step 2). Mark and drill (2) 7/32" holes in the VTS Wall Bracket. It is recommended that you try and locate a wall stud to fasten the #10 x 1 1/2" Phillips head wall anchor screws. Drill (2) matching holes into the wall with a 3/16" masonry bit. Insert the #10 PWA Plastic wall anchors into the wall holes and tap flush with the wall.

**D.** Place the VTS Wall bracket into position and fasten to the wall.

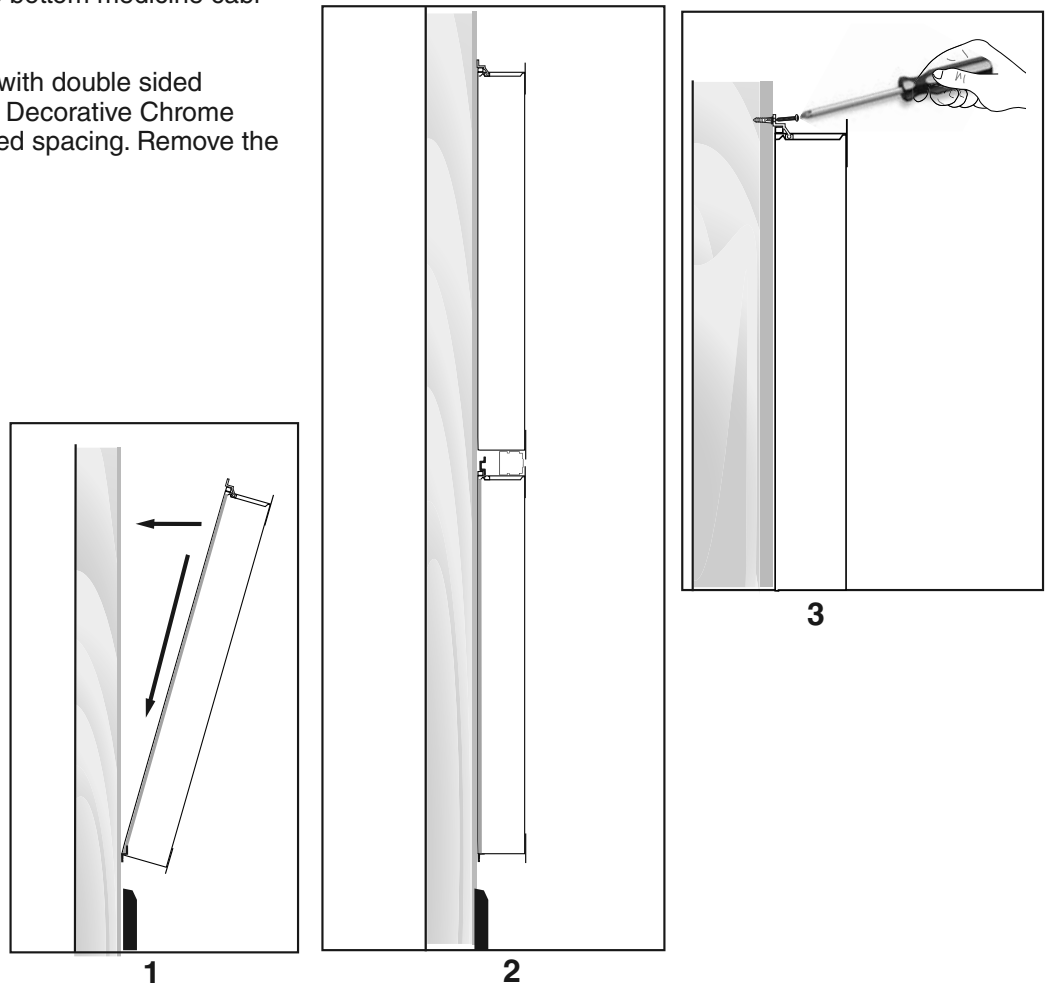
**E.** Clean the top section of the bottom medicine cabinet, free of any dust or debris.

**F.** The VTS Spacer is prepped with double sided mounting tape and one strip of Decorative Chrome Plated finish trim for the exposed spacing. Remove the

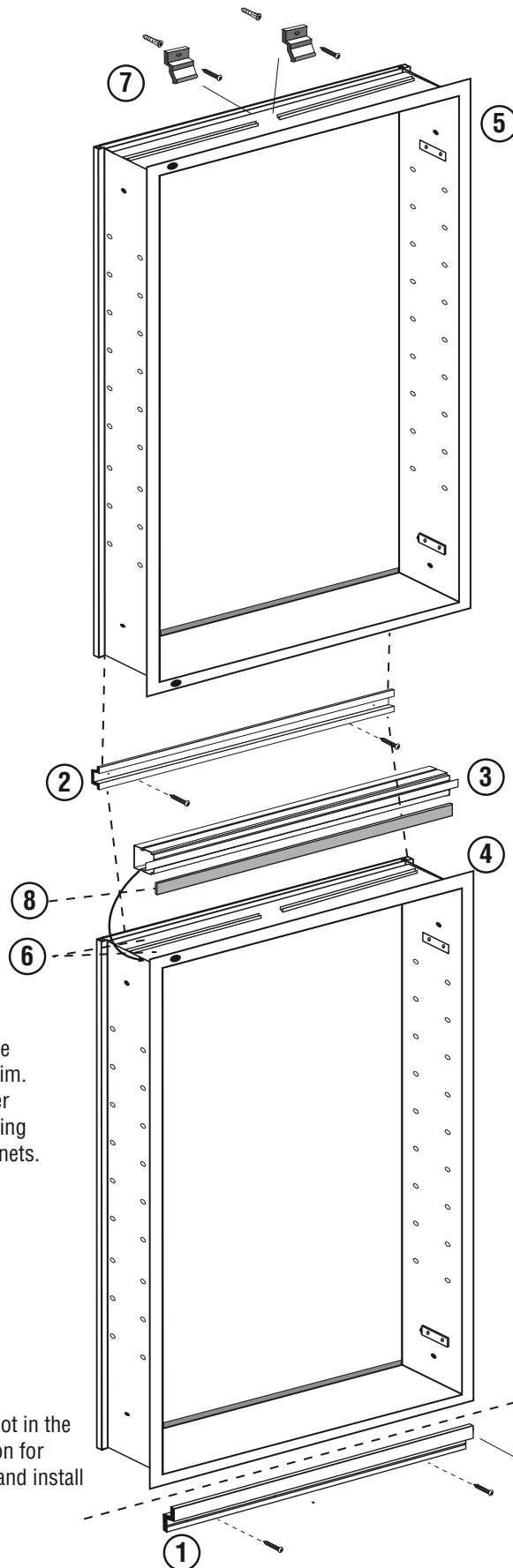
tape cover and carefully place the VTS Spacer on the top of the bottom cabinet. The VTS Spacer is designed to snugly fit up against the front edge. (See figure 2). The two-sided tape is very strong; make sure you position the VTS Spacer correctly before you apply adhesion pressure. The VTS Spacer will be very difficult to remove if installed incorrectly.

**G.** It is now time to place the top cabinet into position. Make sure the hinges are on the same side as the bottom cabinet. Slide (2) Top Surface Mount Brackets (425-00) into the top-mounting groove. It is recommended to dry fit the cabinet into position before removing the tape from the VTS Spacer. Mark the top holes for the top surface mount brackets, drill and install (2) plastic wall anchors #10 PWA. You may have to adjust the VTS Wall Bracket Screw to fit the top cabinet into position.

**H.** Remove the tape from the VTS Spacer; carefully place the top cabinet into position. Fasten the Top Surface Mount Wall Brackets with (2) wall anchor screws (Step 3). Make sure the VTS Spacer is flush with both cabinets. Peel off the protective tape from the VTS finish trim.



# Surface Mounted Vertical Tier System



7. Fix top cabinet in place with the tape and top mounting brackets.

6. Clean the top of the bottom cabinet to be sure that the spacer will adhere in place. Fix the spacer with the double face tape to the bottom cabinet. Test fit the top cabinet before removing the double face tape cover that will hold top cabinet in place.

5. Hold top unit in place; slide Top Brackets into the top groove of the cabinet and position for stud location; mark for drilling. Pre drill the holes for the location of the Top Surface Mount Brackets.

4. Test fit the top unit and re-check for plumb and level. Be sure that both units have the door hinge on the same side.

3. Place VTS Spacer in position. (DO NOT REMOVE TAPE COVER FOR TWO SIDED TAPE UNTIL YOU HAVE TESTED COMPLETE FIT OF BOTH UNITS).

2. Place bottom cabinet into position and check for plumb and level. Fit VTS Wall Bracket into place and mark for screw position. Pre-drill holes, then reassemble bottom cabinet and screw VTS Bracket into place.

1. Draw pencil line with a level to locate the bottom surface mount wall bracket for the base of the bottom unit. Install with screws to studs.

8. Position the VTS Finish Trim. This will cover the 3/4" spacing between cabinets.

(If studs are not in the correct location for support, drill and install wall anchors.)

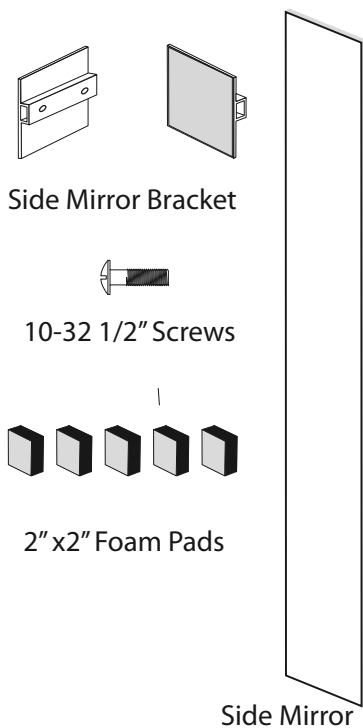
## Side Mirror Kit Installation

For surface mounted and semi-recessed Mirrored Cabinets.

- 1) Attach the side mirror kit brackets thru the pre-punched holes in your cabinet.
- 2) Try to use the first row from the top and bottom of your cabinet. Using the sixteen 10-32 x 1/2" screws fasten the brackets and finish with screw caps.
- 3) Attach the 2" x 2" foam pads to the outside cabinet wall

### Side Mirror Kit parts list:

- 2 Mirror side panels to match the model height ordered
- 8 Side kit brackets with adhesive tape (to hold the side mirror in place)
- 16 Screws, 10-32 x 1/2"
- 16 Screw Caps ( part # 434-00)
- 12 2"x 2" Black Foam Pads with peel off adhesive backing (to affix to cabinet)
- 2 Alcohol Pads



#### Install Side Mirror Kit:

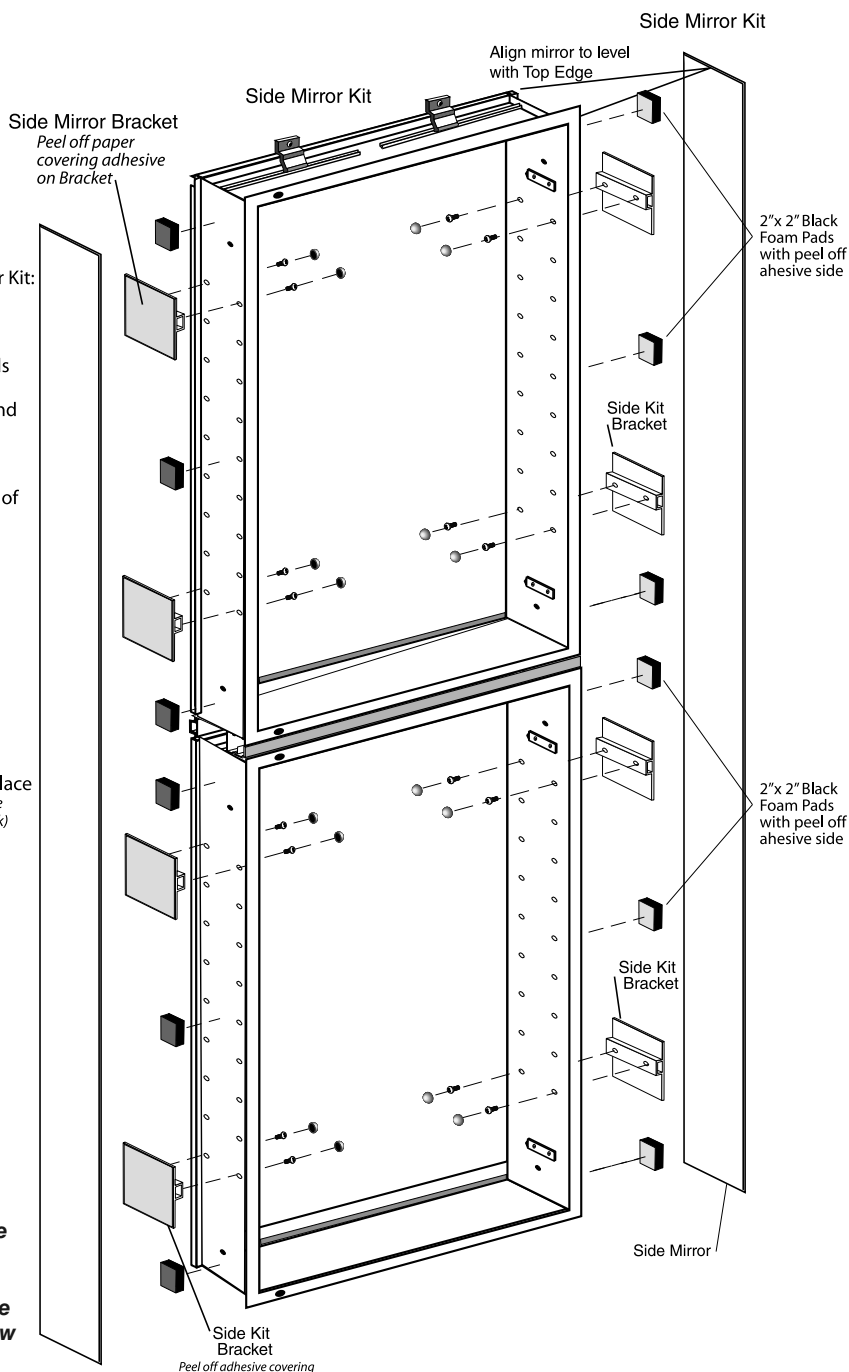
- Install brackets
- Install foam pads on the cabinet above, below and in between the brackets
- Clean back side of mirror with alcohol pads
- Peel-off Double Face Tape covering on bracket and foam pads
- Align mirror top and bottom
- Press firmly in place (Do not try to remove mirror as it will break)

above, below and in between the position of the brackets.

4) Clean the backside of the side mirror kit panel with the Alcohol pads. Check alignment before you attach the mirror to be sure it will align even with the top of the cabinet.

5) Peel off paper covering of the adhesive tape on the side kit brackets pads. (This holds the mirror in place). Carefully align the mirror to the cabinet evenly on all four sides. Press firmly into place and attach to the side kit mirror to the cabinet body.

(Note: Once installed, do not try to remove the mirror as it will break.)



To view a video showing helpful tips on how to install side mirror kits, please go to [GlassCraftersMirroredCabinets.com](http://GlassCraftersMirroredCabinets.com) and navigate to the cabinet product that you are installing. Simply click on the installation tab (located below the product images) to view our installation videos.



## Glass Shelves Installation

After the Mirrored Cabinet box has been properly installed, determine the appropriate height and location for the glass shelves.

Note: make sure the back wall mirror has been completely cleaned after installation. If cleaning the back wall mirror is necessary, use a household non-ammonia glass cleaner

## Cleaning Recommendations:

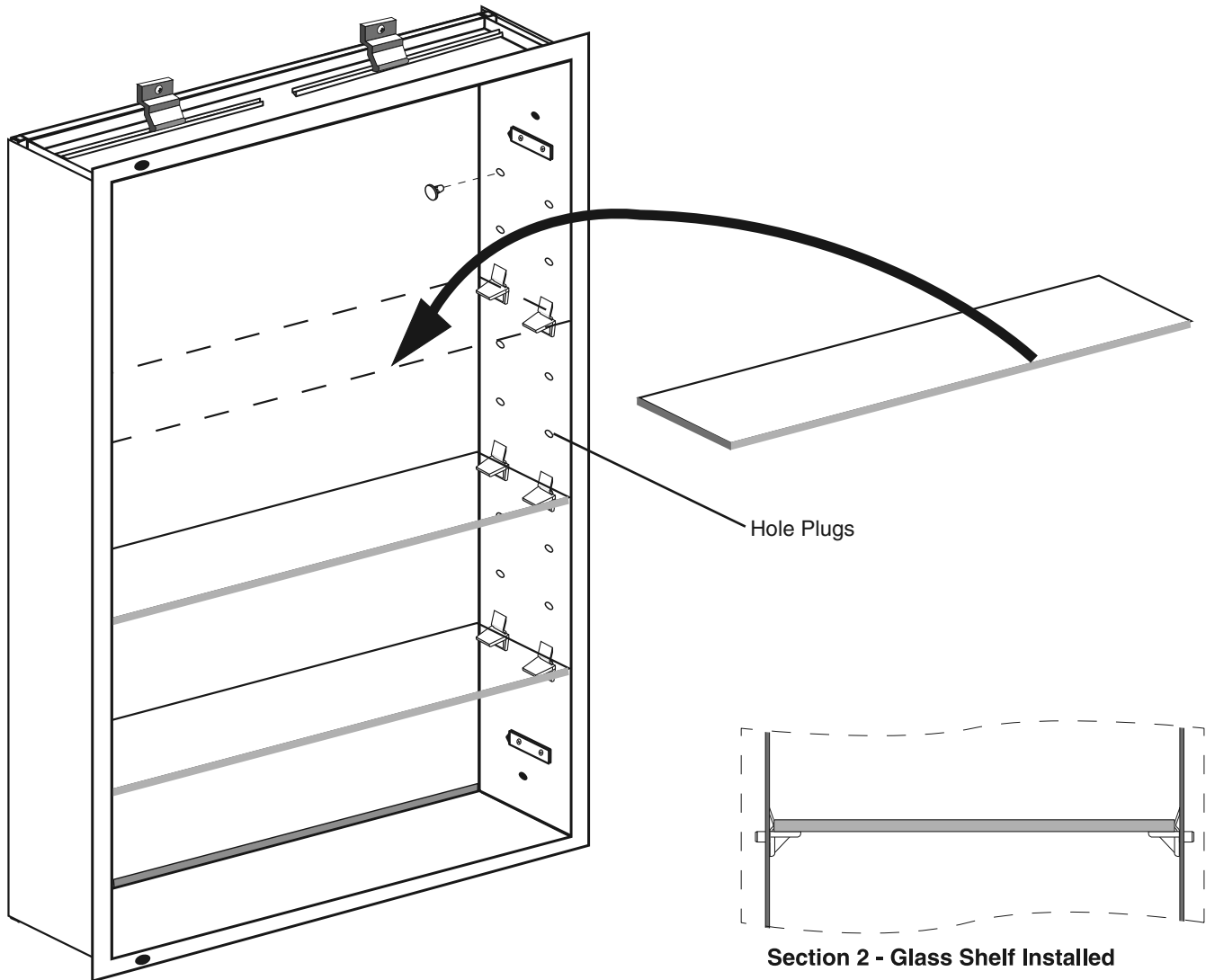
**Never use abrasive cleaners or cleaners containing ammonia. This may cause chemical damage to the mirror and void the warranty.**

For cleaning the mirror, we recommend using "ammonia free" Sprayway brand glass cleaner, which is available at a variety of retail outlets. [www.spraywayinc.com/content/glass-cleaner](http://www.spraywayinc.com/content/glass-cleaner)



Each glass shelf will require four (4) shelf clips. Use care when handling the non-tempered glass shelves. On a level plane insert the shelf clips into the pre-punched holes. The clips are designed for a tight tension fit to hold the shelf. Place each glass shelf on the top of the left clip first, then slowly lower onto the right clip with a snap fit.

After glass shelves are installed insert hole plugs in all open holes to complete installation.



**2 x 24" Height Series (54"H) = 4 Shelves + 16 Shelf Clips**

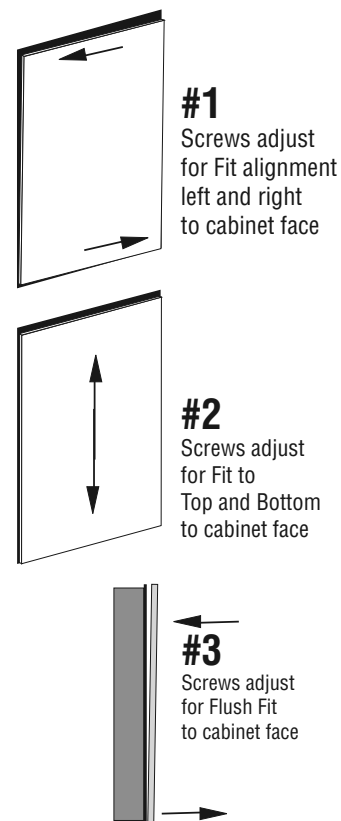
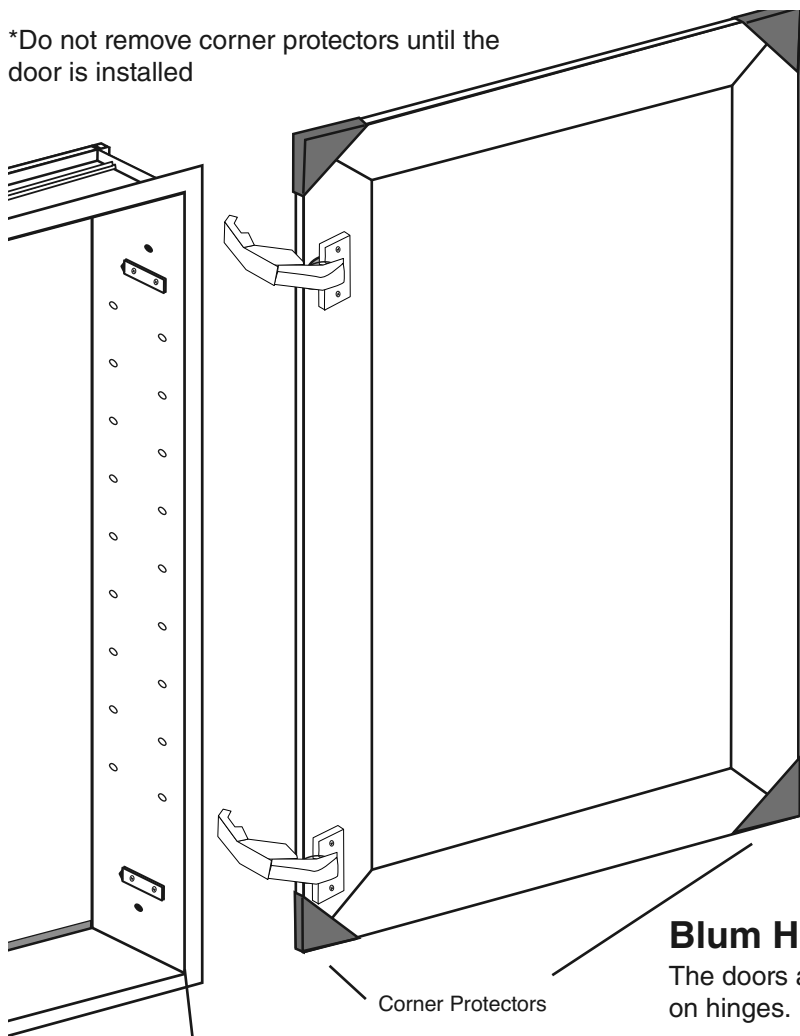
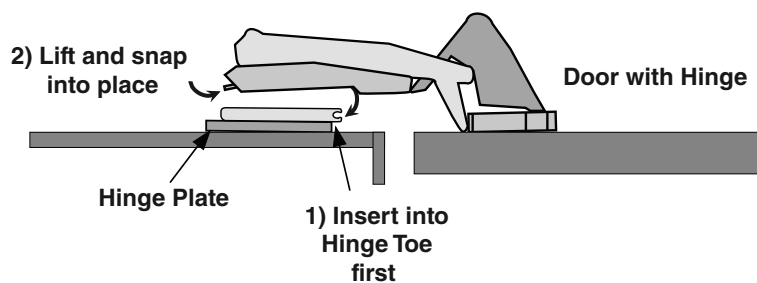
**2 x 30" Height Series (60"H) = 6 Shelves + 24 Shelf Clips**

**2 x 36" Height Series (72") = 8 Shelves + 32 Shelf Clips**

## Door Installation

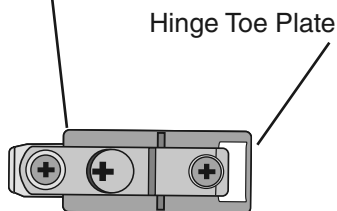
The doors are packed individually for protection of the mirror surfaces. Carefully remove the door from the carton.\* Hold the door in the upright position snap open the factory installed hinges. Place the hinge onto the factory-installed mounting plate in the cabinet -- Toe first -- and snap into position. Be careful not to chip the door mirror.

\*Do not remove corner protectors until the door is installed

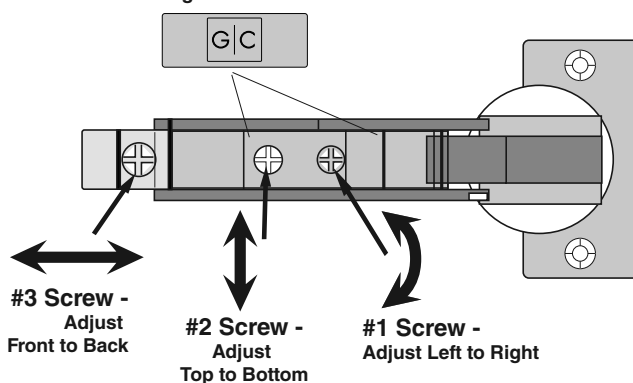


## Blum Hinge Adjustment

The doors after adjustments are completed place cover caps on hinges.



### Hinge Cover Name Plate



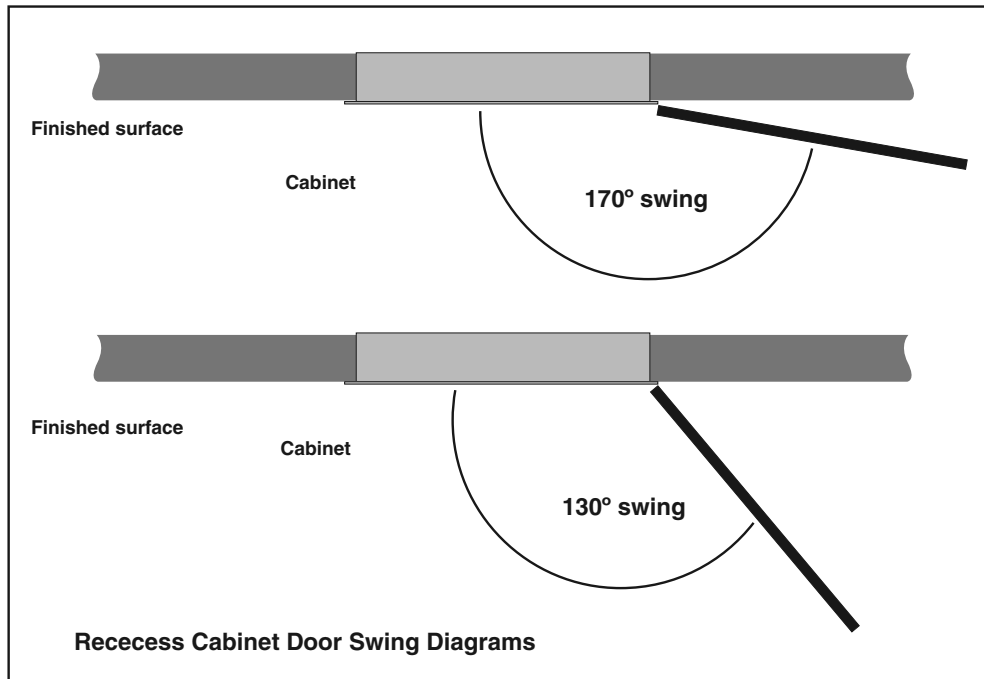
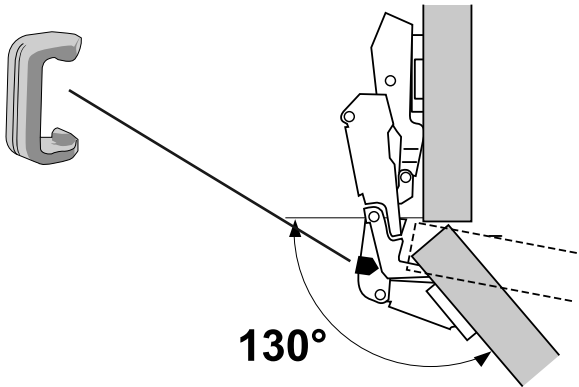
### Hinge Plate\* Factory Installed.

\*If the door binds and does not fully close, adjust the Hinge Plate on the cabinet up and down, to relieve the tension

To view a video showing helpful tips on how to adjust our cabinet hinges, please go to [GlassCraftersMirroredCabinets.com](http://GlassCraftersMirroredCabinets.com) and navigate to the cabinet product that you are installing. Simply click on the installation tab (located below the product images) to view our installation videos.

## Limit Clips

Limit Clips are provided should you need to reduce the opening swing of the cabinet door from 170 degrees to 130 degrees (see top view) This will eliminate the possibility of the door hitting a wall sconce or other decorative items.



**Cleaning Recommendations:**  
**Never use abrasive cleaners or cleaners containing ammonia. This may cause chemical damage to the mirror and void the warranty.**

For cleaning the mirror, we recommend using ammonia free Sprayway brand glass cleaner, which is available at a variety of retail outlets.  
[www.spraywayinc.com/content/glass-cleaner](http://www.spraywayinc.com/content/glass-cleaner)



To view a video showing helpful tips on how to -- adjust our Cabinet Hinges or to install our Mirrored Side Kits, please go to: [GlassCraftersMirroredCabinets.com](http://GlassCraftersMirroredCabinets.com) and navigate to the cabinet product that you are installing. Simply click on the installation tab (located below the product images) to view our installation videos.

#### WARRANTY

GlassCrafters, Inc. offers a Limited 3 Year Warranty on all mirrored cabinet products. GlassCrafters' warranty provides the original purchaser a guarantee that it will replace or at its own discretion repair products shown to have substantial defects in workmanship or materials. These claims must be filed with your dealer or professional installer and forwarded in writing to GlassCrafters within three years of the delivery date to the end user of the product. GlassCrafters shall not be responsible for any installation or removal costs. This warranty does not apply to the following, chemical or natural corrosion of the mirror. The use of abrasive cleaners or cleaners containing ammonia will cause chemical damage to the mirror, voiding this warranty.

The GlassCrafters warranty does not cover product that is damaged in shipping, accidents in handling during installation or if the reported defects are a result of faulty installation, abuse, misuse, abnormal wear, poor maintenance, accident or repairs by service personnel other than the original professional installer as authorized by GlassCrafters. After the three year period GlassCrafters shall not have any further obligation, expressed or implied including merchantability under the Limited Warranty.

Blum hinges and soft closing cushions have a separate lifetime warranty from Blum, Inc. This warranty is against defects in materials and workmanship as long as the original consumer owns the product. This is a warranty of replacement. After verification of defect, Blum, Inc. will send replacement hardware without charge.

GlassCrafters shall not have any liability for any consequential damages stemming from or in connection with the use per performance of this product. Prevailing state law on the limits of the implied warranty will apply.

The liability of GlassCrafters under any implied or expressed warranty, including merchantability, is expressly limited to the terms of this warranty. Any claim under this warranty must be made directly to the dealer of record.

Permission to return any merchandise under this warranty must be authorized in writing by GlassCrafters and must include prepaid shipping by the purchaser.



GLASSCRAFTERS INC.

GLASSCRAFTERS, INC  
193 Veterans Blvd., Carlstadt, NJ 07072

1+(800) 233-7362 (F) 1+(888) 233-7362  
[sales@glasscraftersinc.com](mailto:sales@glasscraftersinc.com)