



GLASSCRAFTERS INC.

GLASSCRAFTERS, INC  
193 Veterans Blvd., Carlstadt, NJ 07072

1+(800) 233-7362 (F) 1+(888) 233-7362  
sales@glasscraftersinc.com

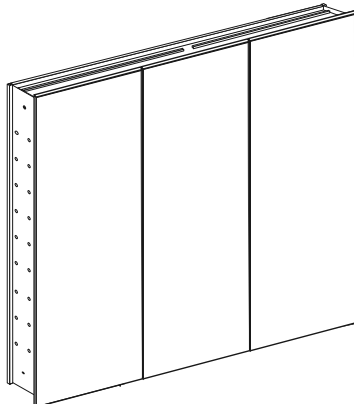
# Tri-View Mirrored Cabinet Installation Instructions

Congratulations on your purchase of Americas finest Mirrored Cabinet by GlassCrafters, Inc. World class engineering and state of the art design will enable you to enjoy your cabinet for many years to come.

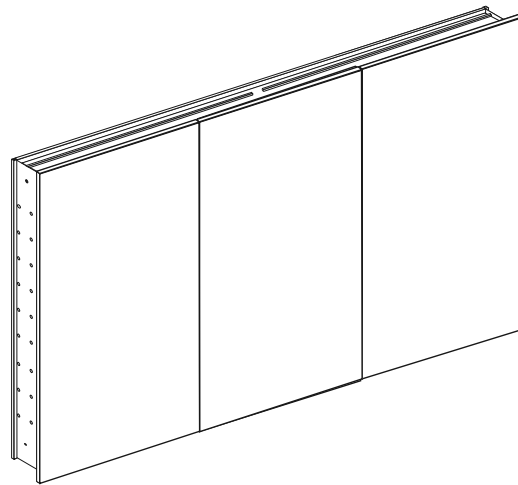
We realize that the marketplace offers many choices and we thank you for selecting GlassCrafters for your Mirrored Cabinet needs.

The following instruction sheets include Models GC3630-Tri, GC4830-Tri, GC3636-Tri and GC4836-Tri in the 4" deep series.

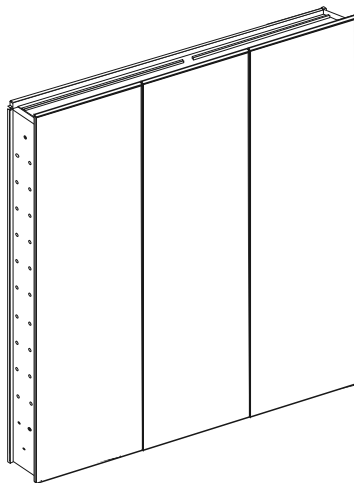
To insure proper installation we recommend installation by a professional installer.



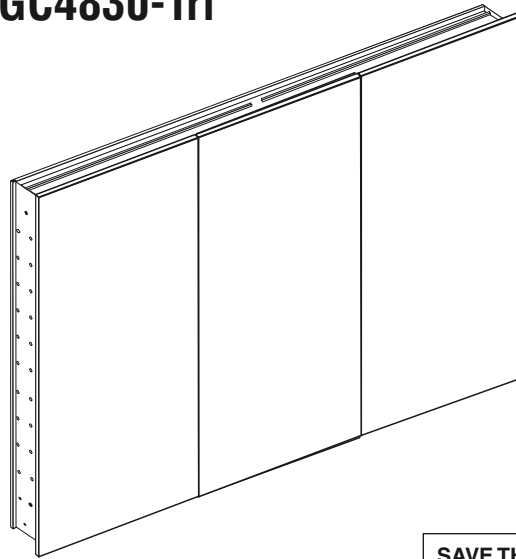
**GC3630-Tri**



**GC4830-Tri**



**GC3636-Tri**



**GC4836-Tri**

**SAVE THESE INSTRUCTIONS  
FOR FUTURE REFERENCE**

To view a video showing helpful tips on how to -- adjust our Cabinet Hinges or to install our Mirrored Side Kits, please go to: [GlassCraftersMirroredCabinets.com](http://GlassCraftersMirroredCabinets.com) and navigate to the cabinet product that you are installing. Simply click on the installation tab (located below the product images) to view our installation videos.

Please use extreme care while unpacking and handling your GlassCrafters' Mirrored Cabinet. Report any damage immediately to our GlassCrafters' customer service team at 800-233-7362, Monday thru Friday from 8:00 am to 5:00 pm (EST)

# Tri-View Mirrored Cabinet Installation -- Unpack all parts carefully and protect Glass and Mirror parts during installation.

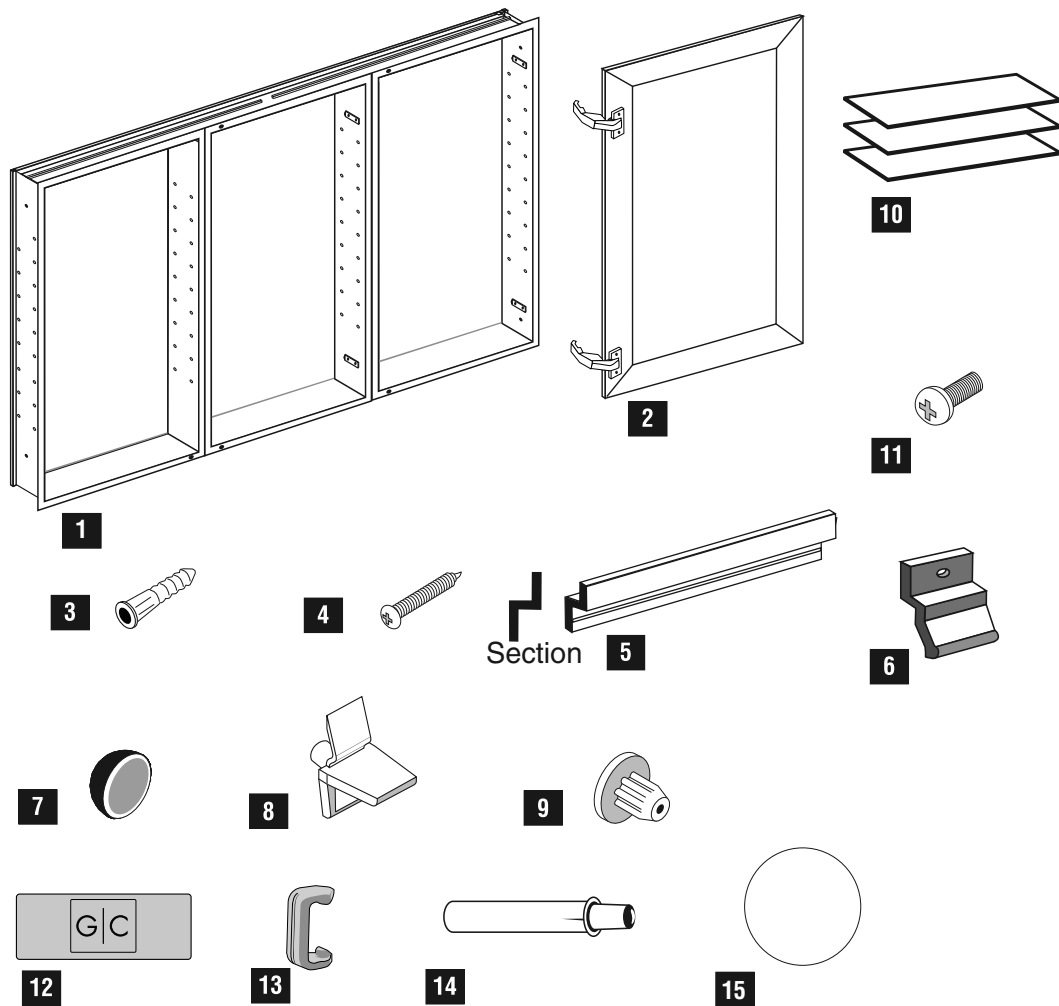
## Index

Parts List for All Models.....2	Glass Shelves.....9
Determining the Rough Opening.....3	Cleaning Recommendation .....9 & 12
Recessing the Cabinet .....4 & 5	Door Installation and Adjustment.....10
Surface Mount Cabinet.....6 & 7	Limit Clips.....11
Surface Mount Side Kit Installation.....8	Parts Inventory by Model Number .....12
	Warranty .....12

## Parts List

Carefully review all parts and read the installation instruction before you start.

Please refer to page 12 for the exact parts list and item counts for each model number.



- |                                      |                                       |
|--------------------------------------|---------------------------------------|
| 1. Cabinet                           | 9. Hole Plugs                         |
| 2. Door                              | 10. Glass Shelves                     |
| 3. Plastic Wall Anchors              | 11. Cabinet Connector Mounting Screws |
| 4. Wall Anchor Screws                | 12. Hinge Cover Name Plates           |
| 5. Bottom Surface Mount Wall Bracket | 13. 130 Degree Limit clips            |
| 6. Top Surface Mount Bracket         | 14. Soft Close Cushion                |
| 7. Screw Caps                        | 15. 3X Magnification Mirror           |
| 8. Shelf Clips                       |                                       |

To insure proper installation in complete compliance with your warranty, we recommend installation by a professional installer.

## Tools Required for Installation

GlassCrafters recommends the following tools to properly and safely install your Mirrored Cabinets.

- A. Safety Glasses -- should be worn at all times
- B. Tape Measure
- C. Level
- D. #2 Phillips Head Screw Driver
- E. Power Screw Driver
- F. Electric Drill
- G. 8mm 3/16" Masonry Drill Bit
- H. 7/32" Drill Bit
- I. Non Ammonia Household Glass Cleaner
- J. Soft Paper Towels

## Determining the Rough Opening "RO" Dimension

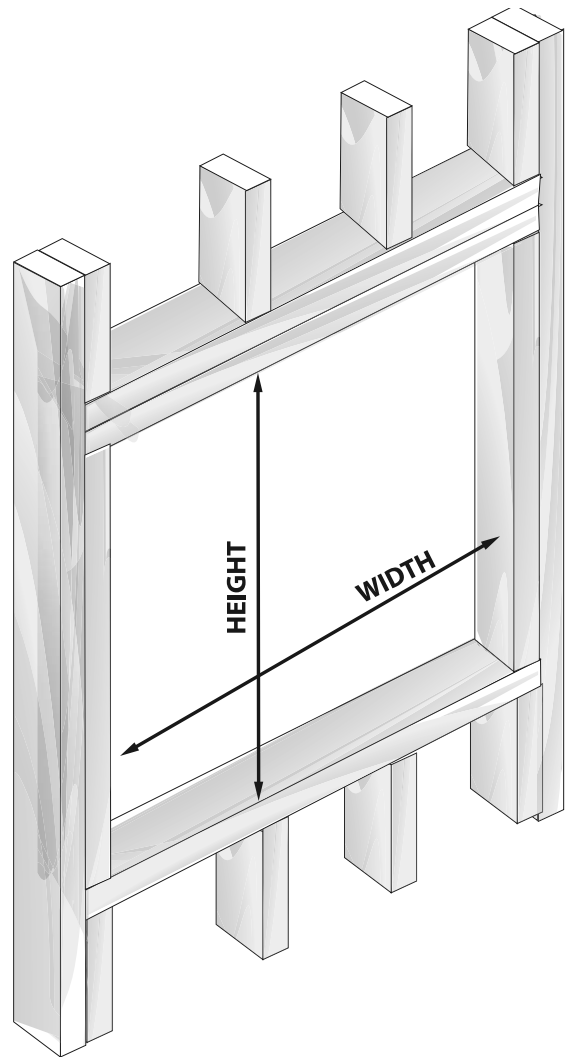
Framing in new construction should follow these dimension. Standard 2x4 studs and 1/2" sheetrock are shown in the illustrations.

Model Number	Rough Opening	
	Width	Height
GC3630-Tri	35 3/8"	29 3/8"
GC4830-Tri	47 3/8"	29 3/8"
GC3636-Tri	35 3/8"	35 3/8"
GC4836-Tri	47 3/8"	35 3/8"

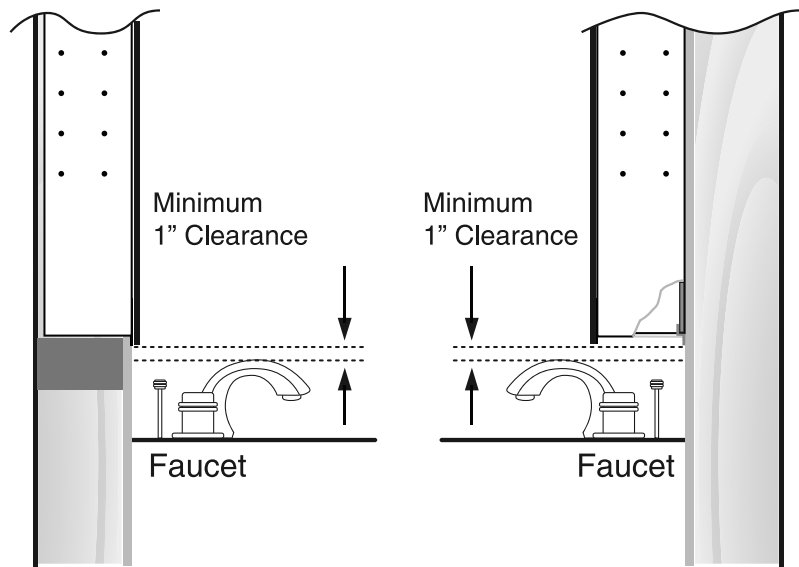
Height: overall cabinet height less 5/8" = R.O. Height.

### Rough Opening:

Note: Cabinet installs over finished wall with sheetrock and/or tile finishes completed. 3/4" Flange on all sides of the cabinet will cover the remaining space in the R.O.



**Important: Make sure you allow for a minimum of 1" clearance above any obstruction such as faucets, etc.**



**RECESSED MOUNT**

**SURFACE MOUNT**

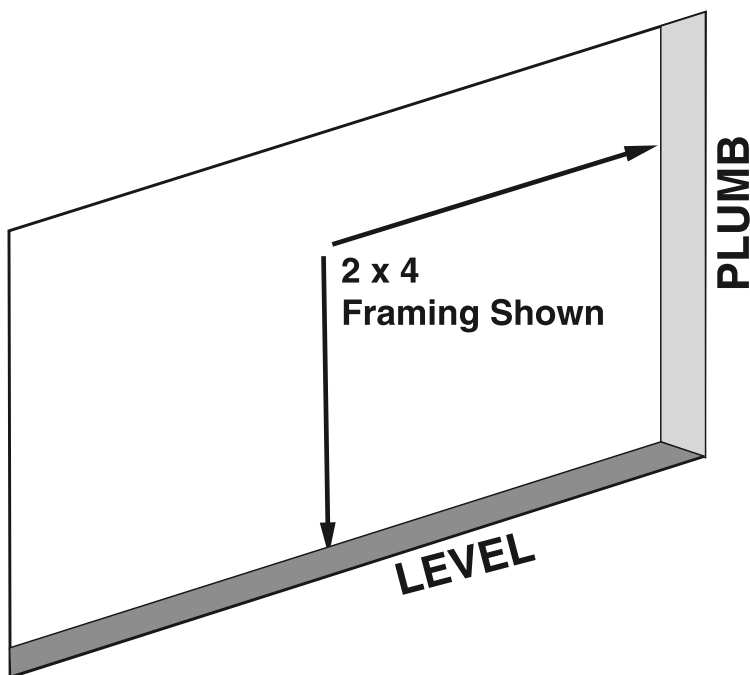
## Installing a Tri-View Recessed Mirrored Cabinet

**A.** Determine the rough opening for the cabinet. Refer to "R.O." formula chart on page 3. Opening must be plumb and level.

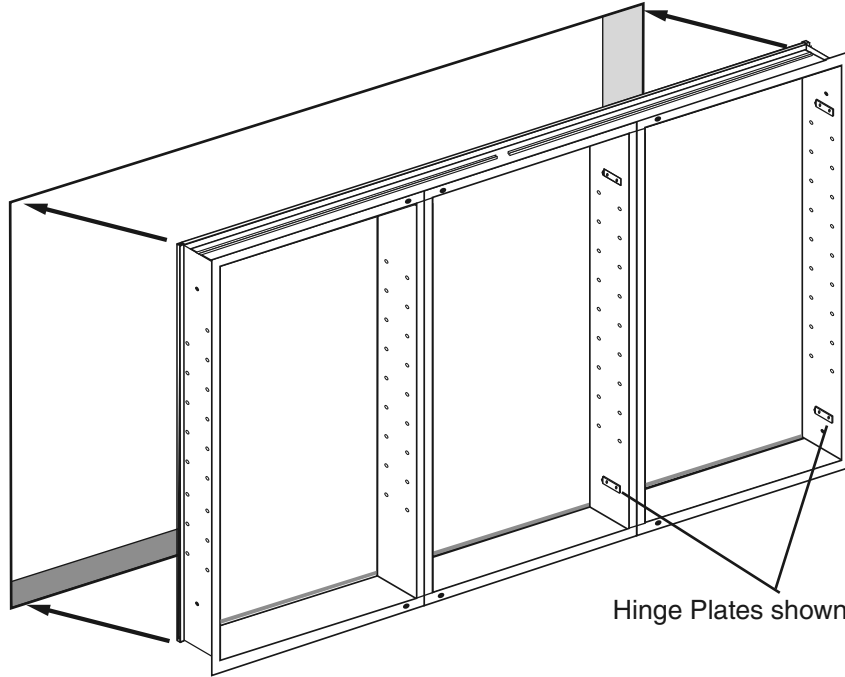
**B.** Cabinet can be hinged on left or right. Simply flip the cabinet to change hinge location. REMINDER- The doors are shipped installed on the cabinet. Remove the doors before working with the cabinet for any type of installation. Simply lift the snap plate in the inside edge of the hinge and lift out of the Hinge toe. ( See page 9 for hinge diagrams.) PLACE THE DOORS IN A SAFE AREA ON A PIECE OF CARPET WITH CARDBOARD IN BETWEEN EACH DOOR TO AVOID DAMAGE AND SCRATCHES.

**C.** Insert cabinet in R.O. and center, Cabinet Flange covers any space in the R.O. around the cabinet and should cover the finished surfaces--Sheetrock and/or tile. Install the cabinet with four (4) #10 x 1 1/2" wood screws (supplied). Use the pre-punched holes above and below the hinge plates (as shown). Do not overtighten. Cover screws with four screw caps (part #434).

**A**

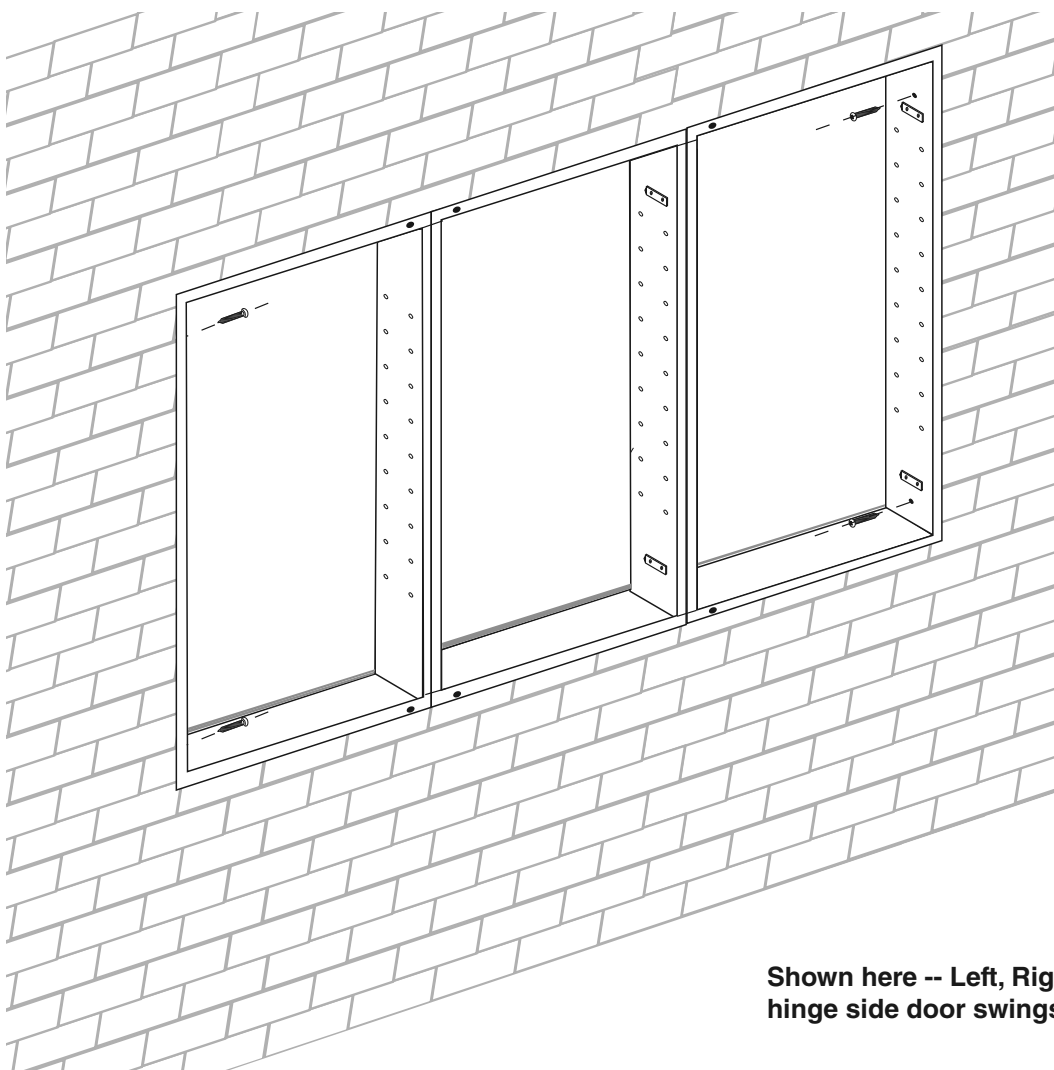


**B**



Hinge Plates shown for right hinged doors

**C**



Shown here -- Left, Right and Right hinge side door swings

## Installing a Surface Mount Mirrored Cabinet

Determine the desired height and use a level to mark a horizontal line. Be sure to allow a minimum clearance of 1" above any obstruction and plumbing fixtures. Remember the base of the cabinet box is 3/4" smaller than the face and the door.

5) Slip Top Mount Brackets into top groove and position for studs. Mark and drill holes. Affix brackets with hand screw driver. (Use wall anchors if necessary.)

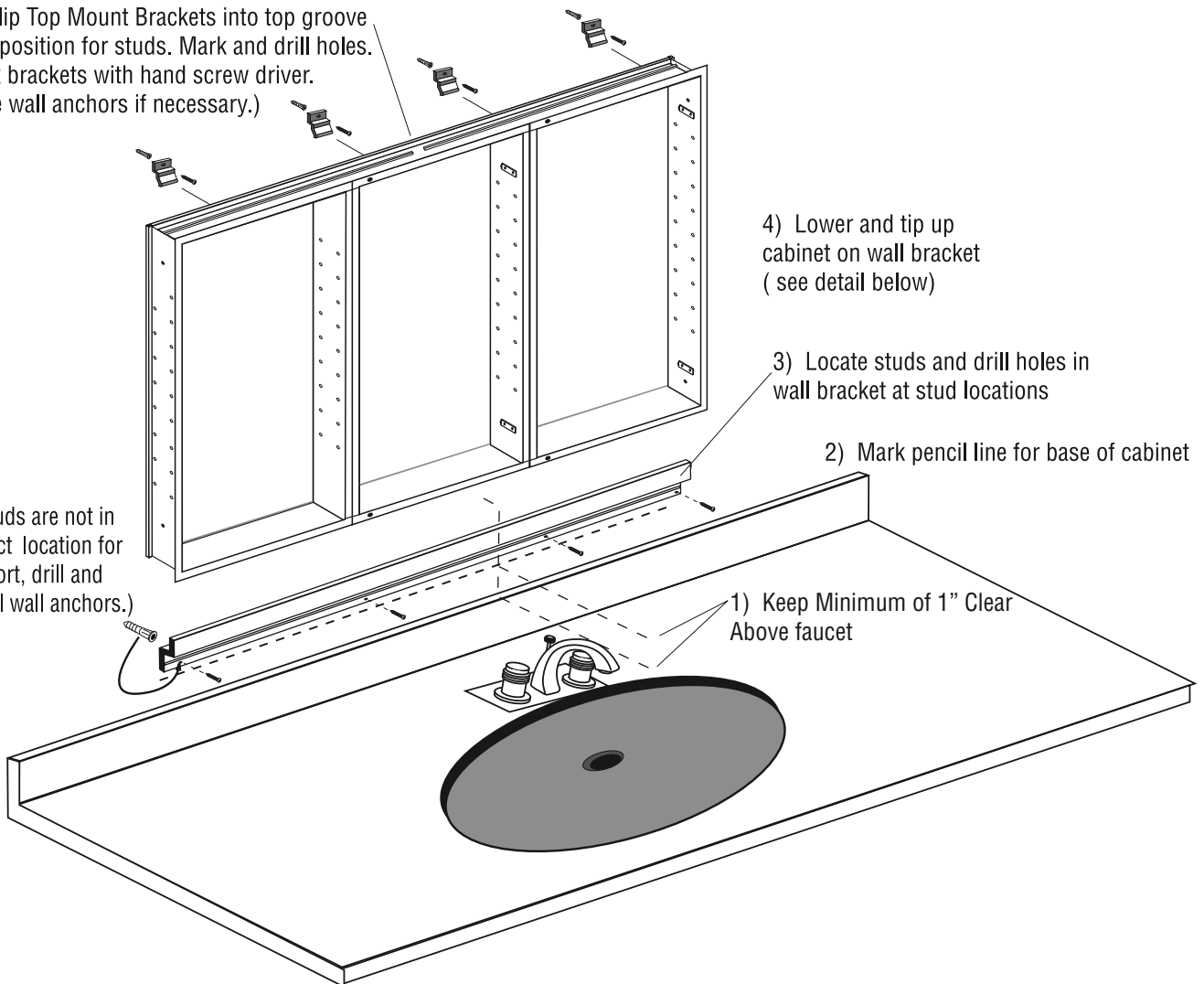
4) Lower and tip up cabinet on wall bracket ( see detail below)

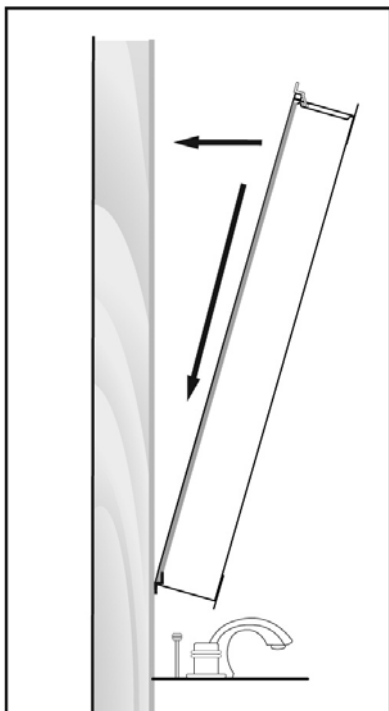
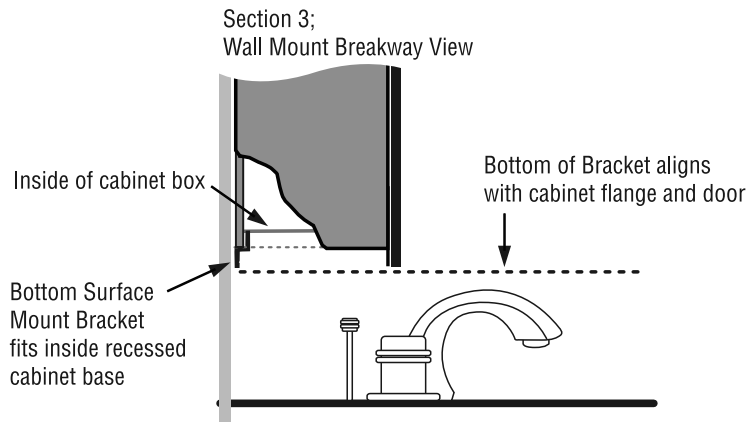
3) Locate studs and drill holes in wall bracket at stud locations

2) Mark pencil line for base of cabinet

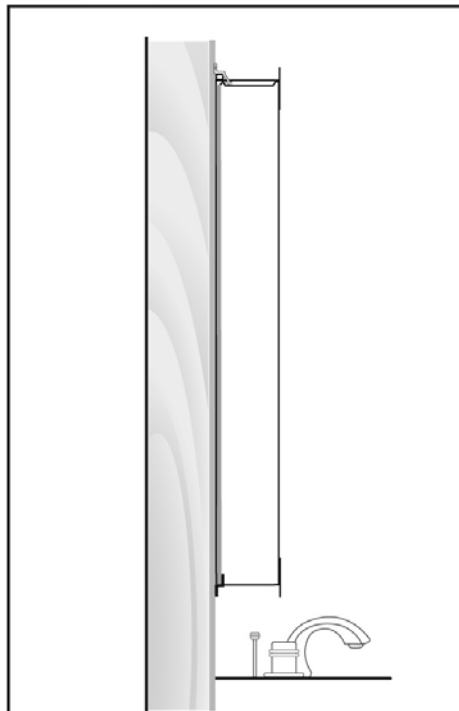
(If studs are not in correct location for support, drill and install wall anchors.)

1) Keep Minimum of 1" Clear Above faucet

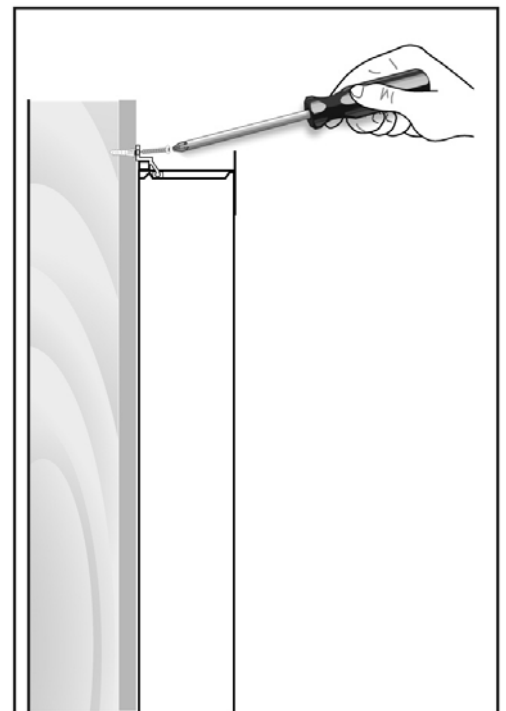




**4 -- Lower onto wall bracket.**



**4 -- Tip up flush to the wall. Mark positions for top brackets and drill for stud or for wall anchor.**



**5 - Use a hand screw driver to fix the top brackets to the wall.**

## Side Kit Mirror Installation

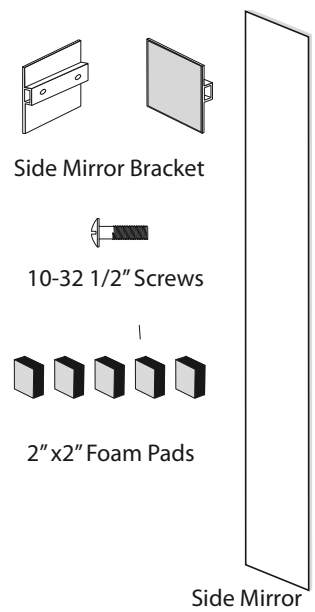
For surface mounted 4" & 6" Mirrored Cabinets and 6" semi-recessed Mirrored Cabinets.

- 1) Attach the side mirror kit brackets thru the pre-punched holes in your cabinet.
- 2) Try to use the first row from the top and bottom of your cabinet. Using the eight 10-32 x 1/2" screws fasten the brackets and finish with screw caps.
- 3) Attach the 2" x 2" foam pads to the outside cabinet wall above, below and in between the position of the brackets.
- 4) Clean the backside of the side mirror kit panel with the Alcohol pads. Check alignment before you attach the mirror to be sure it will align even with the top of the cabinet.
- 5) Peel off paper covering of the adhesive tape on the side kit brackets pads. (This holds the mirror in place). Carefully align the mirror to the cabinet evenly on all four sides. Press firmly into place and attach to the side kit mirror to the cabinet body.

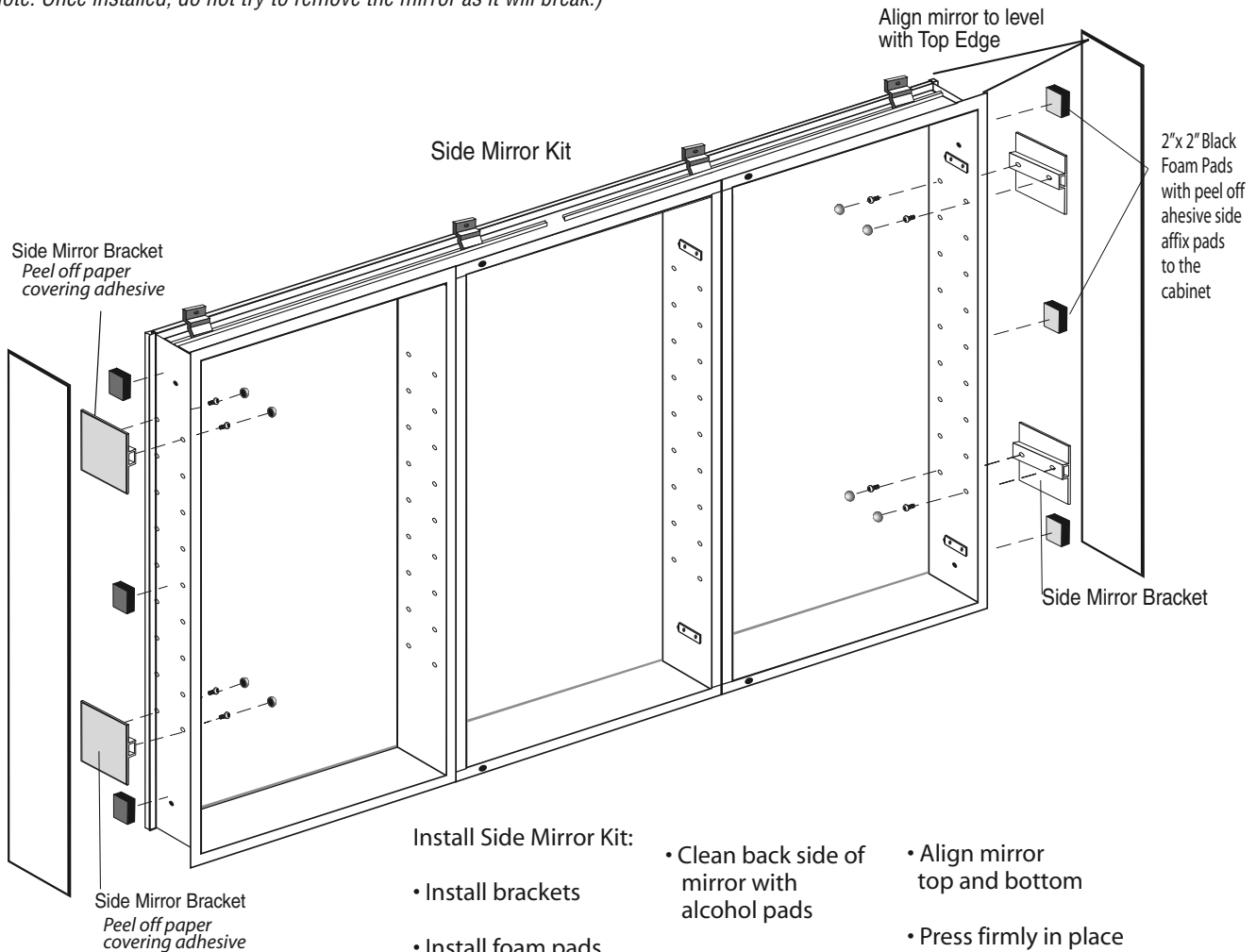
(Note: Once installed, do not try to remove the mirror as it will break.)

### Side Mirror Kit parts list:

- 2 Mirror side panels to match the model height ordered
- 4 Side kit brackets with adhesive tape
- 6 2"x2" Black Foam Pads with peel off adhesive tape on both sides
- 8 Screws, 10-32 x 1/2"
- 8 Screw Caps ( part # 434-00)
- 2 Alcohol Pads



To view a video showing helpful tips on how to install side mirror kits, please go to [Glass-CraftersMirroredCabinets.com](http://Glass-CraftersMirroredCabinets.com) and navigate to the cabinet product that you are installing. Simply click on the installation tab (located below the product images) to view our installation videos.



### Install Side Mirror Kit:

- Install brackets
- Install foam pads on the cabinet above, below and in between the brackets

- Clean back side of mirror with alcohol pads
- Peel-off paper covering the adhesive tape on the brackets- (this holds the mirror in place)

- Align mirror top and bottom
- Press firmly in place (Do not try to remove mirror as it will break)



## Glass Shelves Installation

After the Mirrored Cabinet box has been properly installed, determine the appropriate height and location for the glass shelves.

Note: make sure the back wall mirror has been completely cleaned after installation. If cleaning the back wall mirror is necessary, use a household non-ammonia glass cleaner.

### Cleaning Recommendations:

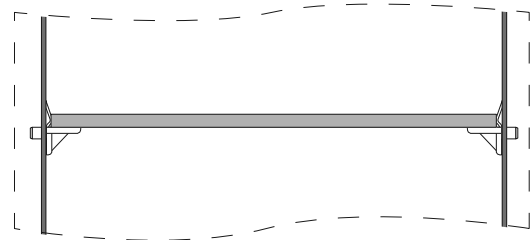
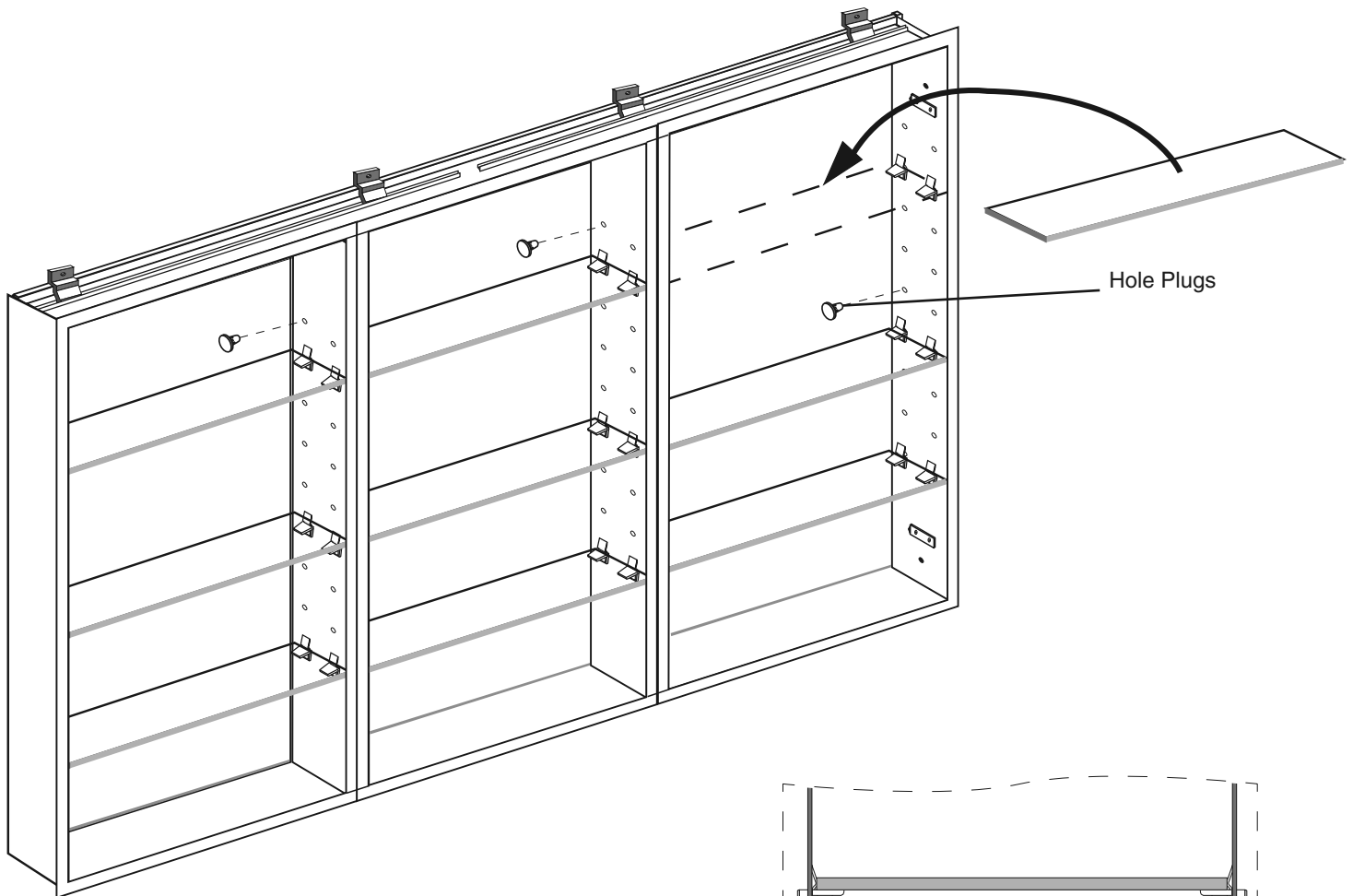
**Never use abrasive cleaners or cleaners containing ammonia. This may cause chemical damage to the mirror and void the warranty.**

For cleaning the mirror, we recommend using "ammonia free" Sprayway brand glass cleaner, which is available at a variety of retail outlets. [www.spraywayinc.com/content/glass-cleaner](http://www.spraywayinc.com/content/glass-cleaner)



Each glass shelf will require four (4) shelf clips. Use care when handling the non-tempered glass shelves. On a level plane insert the shelf clips into the pre-punched holes. The clips are designed for a tight tension fit to hold the shelf. Place each glass shelf on the top of the left clip first, then slowly lower onto the right clip with a snap fit.

After glass shelves are installed insert hole plugs in all open holes to complete installation.



Section 2 - Glass Shelf Installed

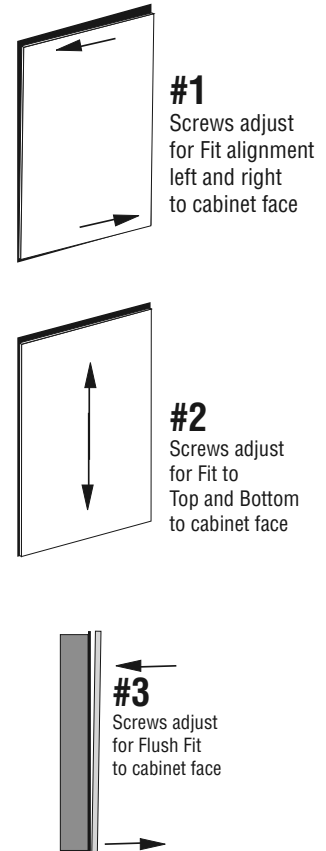
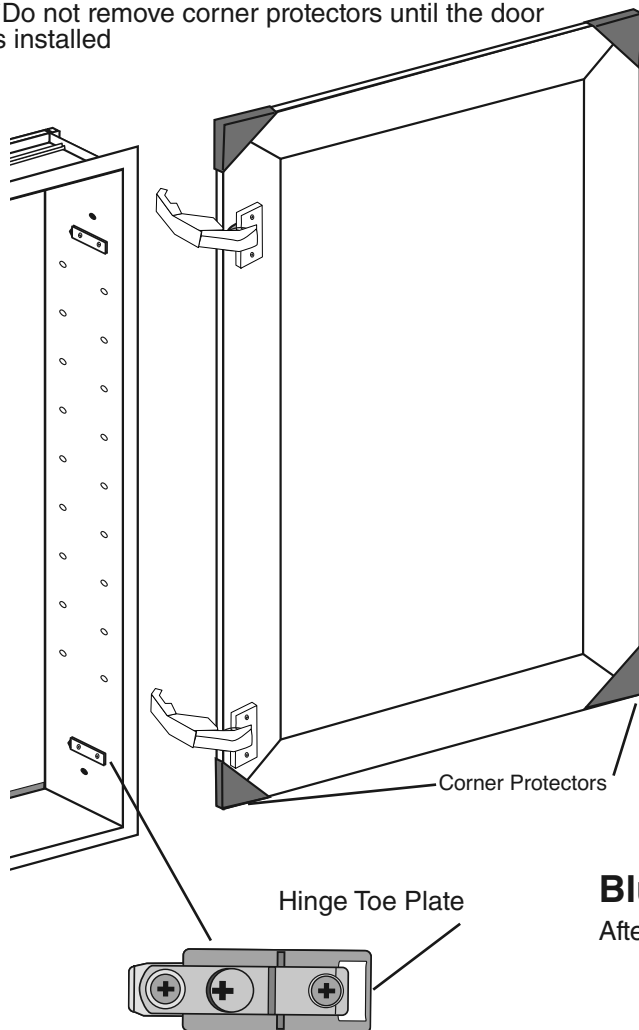
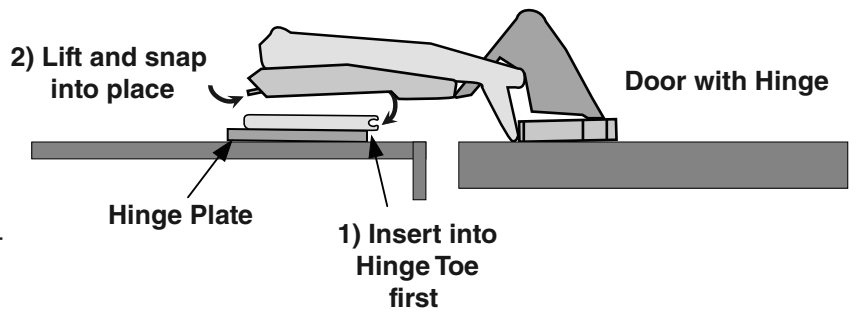
GC3630-Tri	9 Shelves + 36 Shelf Clips
GC4830-Tri	9 Shelves + 36 Shelf Clips
GC3636-Tri	12 Shelves + 48 Shelf Clips
GC4836-Tri	12 Shelves + 48 Shelf Clips

## Door Installation

The doors are shipped installed on the cabinet. Before installing any cabinet you should have carefully removed the doors from the cabinet and place in a safe location on a piece of carpet with protective cardboard in between each door to prevent damage and scratches.

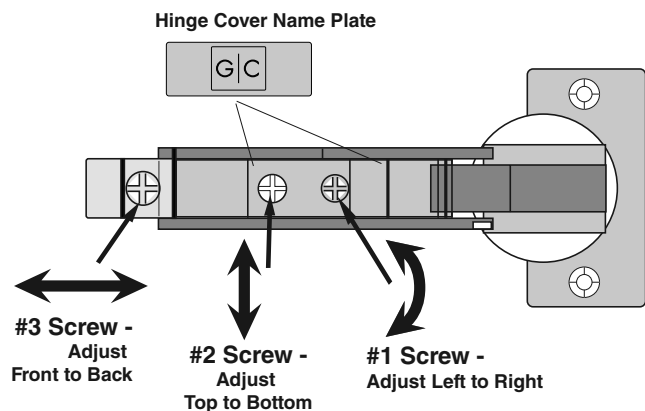
To reinstall the doors: \*Hold the door in the upright position. Snap open the factory installed hinges. Place the hinge onto the factory-installed mounting plate in the cabinet -- Toe first -- and snap into position. Be careful not to chip the door mirror.

\*Do not remove corner protectors until the door is installed



## Blum Hinge Adjustment

After adjustments are complete place cover caps on hinges.



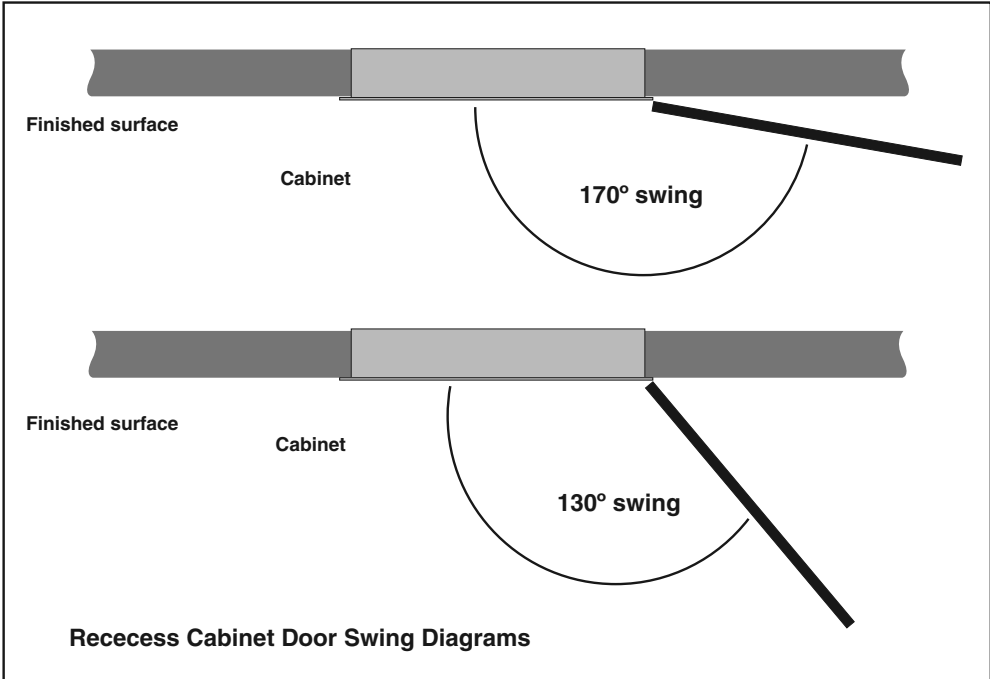
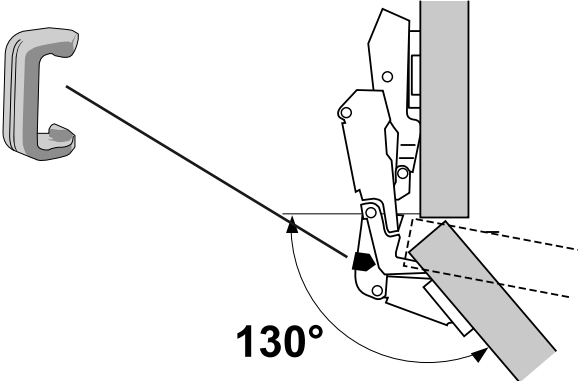
### Hinge Plate\* Factory Installed.

\*If the door binds and does not fully close, adjust the Hinge Plate on the cabinet up and down, to relieve the tension

To view a video showing helpful tips on how to install side mirror kits, please go to [GlassCraftersMirroredCabinets.com](http://GlassCraftersMirroredCabinets.com) and navigate to the cabinet product that you are installing. Simply click on the installation tab (located below the product images) to view our installation videos.

# Limit Clips

Limit Clips are provided should you need to reduce the opening swing of the cabinet door from 170 degrees to 130 degrees (see top view) This will eliminate the possibility of the door hitting a wall sconce or other decorative items.



# Master Parts List for Tri-View Mirrored Cabinets

## Model: GC3630-Tri-4"

	Qty.	Part Number
Cabinet 4" Cabinet	1	GC3630-4"-Cab
Door - Ships installed on cabinet	3	GC1230-D
<i>Note : Remove doors before recessed or wall mount installation.</i>		
Plastic Wall Anchor	8	# 10 PWA
Wall Anchor Screws	8	# 10 x 1 1/2 Phillips
Bottom Surface Wall		
Mount Bracket	1	414-03
Top Surface Mount Brackets	4	425-00
Screw Caps	6	434-00
Shelf Clips	36	439-01
Hole Plugs	72	433-00
Glass Shelves 4" Cabinet	9	417-11-A 3 7/16" x 10 1/4" x 5/16"
Hinge Cover Name Plates	6	904-00
130 Degree Limit Clips	6	901-00
Soft Close Cushion	6	900-00
3X Magnification Mirror	1	950-01

## Model: GC4830-Tri-4"

	Qty.	Part Number
Cabinet 4" Cabinet	1	GC4830-4"-Cab
Door - Ships installed on cabinet	3	GC1630-D
<i>Note : Remove doors before recessed or wall mount installation.</i>		
Plastic Wall Anchor	8	# 10 PWA
Wall Anchor Screws	8	# 10 x 1 1/2 Phillips
Bottom Surface Wall		
Mount Bracket	1	414-03
Top Surface Mount Brackets	4	425-00
Screw Caps	6	434-00
Shelf Clips	36	439-01
Hole Plugs	72	433-00
Glass Shelves 4" Cabinet	9	417-12-A 3 7/16" x 14 1/4" x 5/16"
Hinge Cover Name Plates	6	904-00
130 Degree Limit Clips	6	901-00
Soft Close Cushion	6	900-00
3X Magnification Mirror	1	950-01

## Model: GC3636-Tri-4"

	Qty.	Part Number
Cabinet 4" Cabinet	1	GC3636-4"-Cab
Door - Ships installed on cabinet	3	GC1236-D
<i>Note : Remove doors before recessed or wall mount installation.</i>		
Plastic Wall Anchor	8	# 10 PWA
Wall Anchor Screws	8	# 10 x 1 1/2 Phillips
Bottom Surface Wall		
Mount Bracket	1	414-03
Top Surface Mount Brackets	4	425-00
Screw Caps	6	434-00
Shelf Clips	48	439-01
Hole Plugs	80	433-00
Glass Shelves 4" Cabinet	12	417-11-A 3 7/16" x 10 1/4" x 5/16"
Hinge Cover Name Plates	9	904-00
130 Degree Limit Clips	9	901-00
Soft Close Cushion	6	900-00
3X Magnification Mirror	1	950-01

## Model: GC4836-Tri-4"

	Qty.	Part Number
Cabinet 4" Cabinet	1	GC4836-4"-Cab
Door - Ships installed on cabinet	3	GC1636-D
<i>Note : Remove doors before recessed or wall mount installation.</i>		
Plastic Wall Anchor	8	# 10 PWA
Wall Anchor Screws	8	# 10 x 1 1/2 Phillips
Bottom Surface Wall		
Mount Bracket	1	414-03
Top Surface Mount Brackets	4	425-00
Screw Caps	6	434-00
Shelf Clips	48	439-01
Hole Plugs	80	433-00
Glass Shelves 4" Cabinet	12	417-12-A 3 7/16" x 14 1/4" x 5/16"
Hinge Cover Name Plates	9	904-00
130 Degree Limit Clips	9	901-00
Soft Close Cushion	6	900-00
3X Magnification Mirror	1	950-01

This installation manual serves the complete line of GlassCrafters, Inc Mirrored Cabinets including the 4" deep Tri-View models. The general parts list pictured on page 2 shows the single images of a part. To completely inventory the material delivered for your particular model please check the quantities indicated in the part list above.

### Cleaning Recommendations:

**Never use abrasive cleaners or cleaners containing ammonia. This may cause chemical damage to the mirror and void the warranty.**

For cleaning the mirror, we recommend using ammonia free Sprayway brand glass cleaner, which is available at a variety of retail outlets. [www.spraywayinc.com/content/glass-cleaner](http://www.spraywayinc.com/content/glass-cleaner)



### WARRANTY

GlassCrafters, Inc. offers a Limited 3 Year Warranty on all mirrored cabinet products. GlassCrafters' warranty provides the original purchaser a guarantee that it will replace or at its own discretion repair products shown to have substantial defects in workmanship or materials. These claims must be filed with your dealer or professional installer and forwarded in writing to GlassCrafters within three years of the delivery date to the end user of the product. GlassCrafters shall not be responsible for any installation or removal costs. This warranty does not apply to the following, chemical or natural corrosion of the mirror. The use of abrasive cleaners or cleaners containing ammonia will cause chemical damage to the mirror, voiding this warranty.

The GlassCrafters warranty does not cover product that is damaged in shipping, accidents in handling during installation or if the reported defects are a result of faulty installation, abuse, misuse, abnormal wear, poor maintenance, accident or repairs by service personnel other than the original professional installer as authorized by GlassCrafters. After the three year period GlassCrafters shall not have any further obligation, expressed or implied including merchantability under the Limited Warranty.

Blum hinges and soft closing cushions have a separate lifetime warranty from Blum, Inc. This warranty is against defects in materials and workmanship as long as the original consumer owns the product. This is a warranty of replacement. After verification of defect, Blum, Inc. will send replacement hardware without charge.

GlassCrafters shall not have any liability for any consequential damages stemming from or in connection with the use per performance of this product. Prevailing state law on the limits of the implied warranty will apply.

The liability of GlassCrafters under any implied or expressed warranty, including merchantability, is expressly limited to the terms of this warranty. Any claim under this warranty must be made directly to the dealer of record.

Permission to return any merchandise under this warranty must be authorized in writing by GlassCrafters and must include prepaid shipping by the purchaser.



GLASSCRAFTERS, INC  
193 Veterans Blvd., Carlstadt, NJ 07072

1+(800) 233-7362 (F) 1+(888) 233-7362  
sales@glasscraftersinc.com