



GLASSCRAFTERS INC.

GLASSCRAFTERS, INC
193 Veterans Blvd., Carlstadt, NJ 07072

1+(800) 233-7362 (F) 1+(888) 233-7362
sales@glasscraftersinc.com

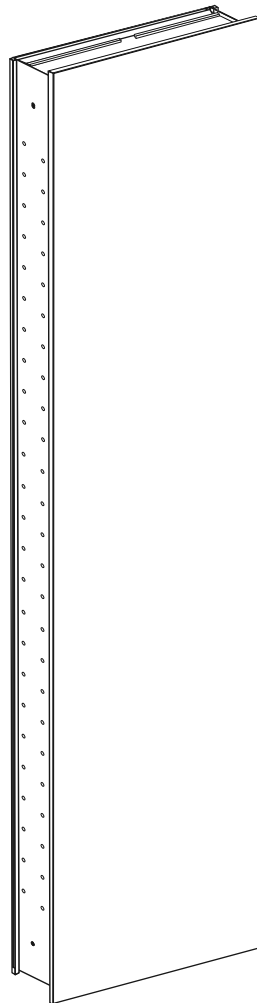
Full-Length Mirrored Cabinet Installation Instructions

Congratulations on your purchase of Americas finest Mirrored Cabinet by GlassCrafters, Inc. World class engineering and state of the art design will enable you to enjoy your cabinet for many years to come.

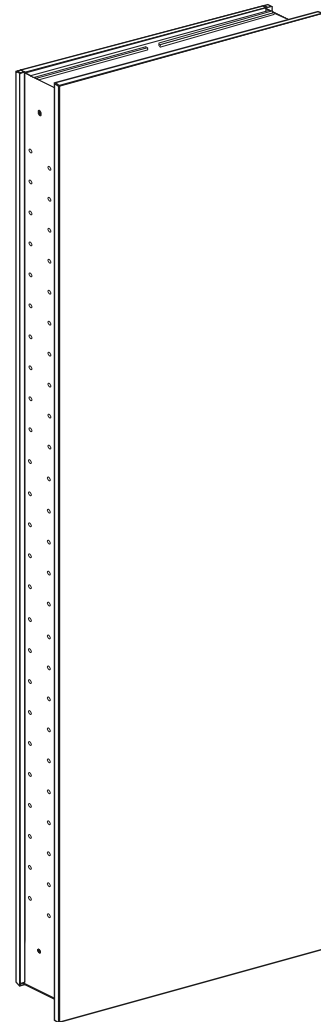
We realize that the marketplace offers many choices and we thank you for selecting GlassCrafters for your Mirrored Cabinet needs.

The following instruction sheets include the ALL MODELS listed below in both 4" deep and 6" deep Mirrored Cabinets.

To insure proper installation we recommend installation by a professional installer.



GC1672



GC2072

To view a video showing helpful tips on how to -- adjust our Cabinet Hinges or to install our Mirrored Side Kits, please go to: GlassCraftersMirroredCabinets.com and navigate to the cabinet product that you are installing.

Simply click on the installation tab (located below the product images) to view our installation videos."

SAVE THESE INSTRUCTIONS FOR FUTURE REFERENCE

Please use extreme care while unpacking and handling your GlassCrafters' Mirrored Cabinet. Report any damage immediately to our GlassCrafters customer service team at 800-233-7362, Monday thru Friday from 8:00 am to 5:00 pm (EST)

Full-Length Mirrored Cabinet Installation --

Unpack all parts carefully and protect Glass and Mirror parts during installation.

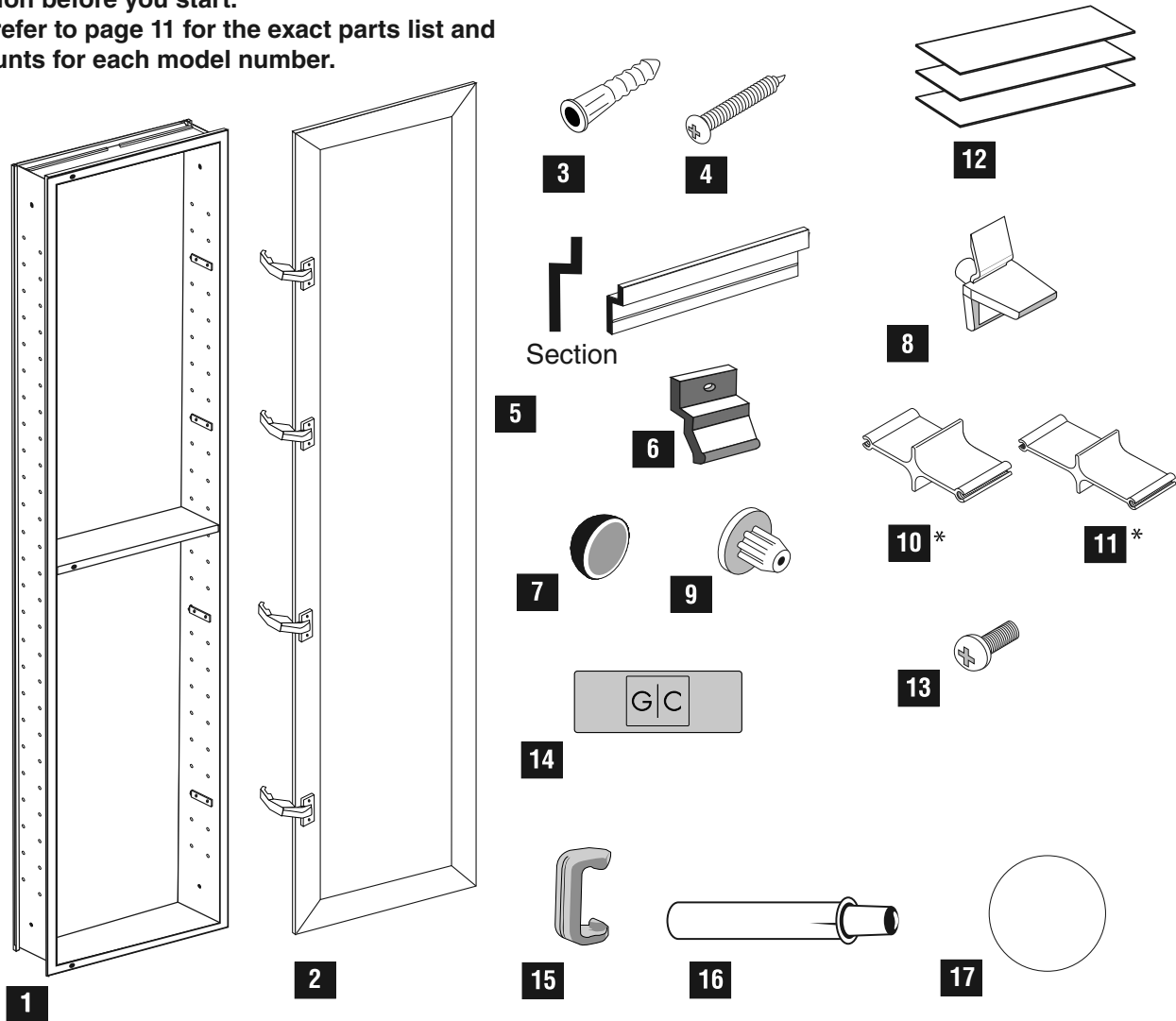
Index

Parts List for All Models.....2	Surface Mount Side Kit Installation.....7
Determining the Rough Opening.....3	Glass Shelves.....8
Recessing the Cabinet4	Cleaning Recommendation8 & 12
Combining two (2) or three (3) Cabinets5	Door Installation and Adjustment.....9
Surface Mount Cabinet.....6	Limit Clips.....10
	Parts Inventory by Model Number11
	Warranty12

Parts List

Carefully review all parts and read the installation instruction before you start.

Please refer to page 11 for the exact parts list and item counts for each model number.



- | | |
|---|--|
| <ul style="list-style-type: none"> 1. Cabinet 2. Door, (boxed separately) 3. Plastic Wall Anchors 4. Wall Anchor Screws 5. Bottom Surface Mount Wall Bracket 6. Top Surface Mount Bracket 7. Screw Caps 8. Shelf Clips 9. Hole Plugs | <ul style="list-style-type: none"> 10. Cabinet Connectors 4" deep* 11. Cabinet Connectors 6" deep* 12. Glass Shelves 13. Cabinet Connector Mounting Screws 14. Hinge Cover Name Plates 15. 130 Degree Limit Clips 16. Soft Close Cushion 17. 3X Magnification Mirror |
|---|--|

* Special order

To insure proper installation in complete compliance with your warranty, we recommend installation by a professional installer.

Tools Required for Installation

GlassCrafters recommends the following tools to properly and safely install your Mirrored Cabinets.

- A. Safety Glasses -- should be worn at all times
- B. Tape Measure
- C. Level
- D. #2 Phillips Head Screw Driver

- E. Power Screw Driver
- F. Electric Drill
- G. 8mm 3/16" Masonry Drill Bit
- H. 7/32" Drill Bit
- I. Non Ammonia Household Glass Cleaner
- J. Soft Paper Towels

Determining the Rough Opening "RO" Dimension

Framing in new construction should follow these dimension. Standard 2x4 studs and 1/2" sheetrock are shown in the illustrations. For 6" deep models 2x6 studs are required or a semi-recessed application is necessary.

Model Number	Rough Opening Single Cabinet		Overall dimensions	
	Width	Height	Width	Height
GC1672	14 3/8"	72 1/8"	15"	72 3/4"
GC 2072	18 3/8"	72 1/8"	19"	72 3/4"

Single Cabinet "RO" Rough Opening formula: Overall cabinet width less 5/8" = Rough Opening

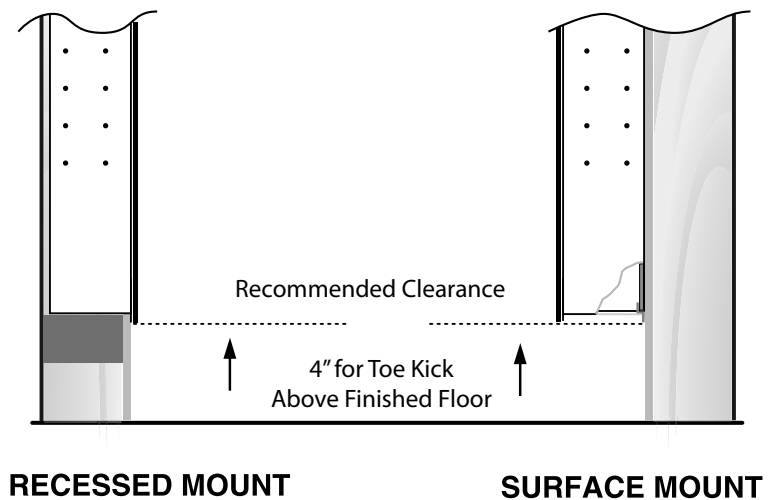
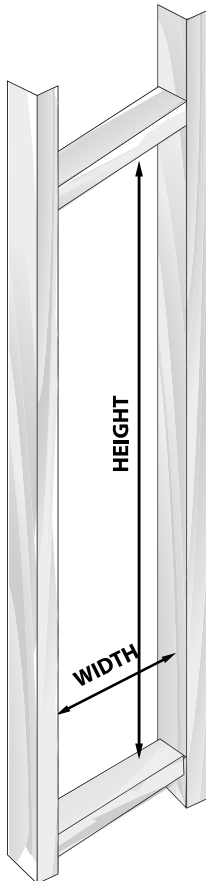
Height: overall cabinet height less 5/8" = R.O. Height.

Cabinets are supplied with left or right hinges. Be sure to install with the correct hinged side as per the room plans.

Rough Opening:

Note: Cabinet installs over finished wall with sheetrock and/or tile finishes completed. 3/4" Flange on all sides of the cabinet will cover the remaining space in the R.O.

Important: Make sure you allow for a minimum of 4" toe kick clearance above the finished floor.



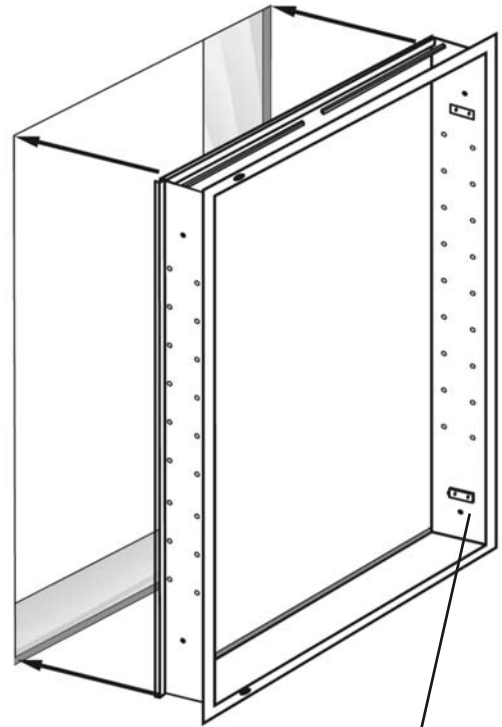
Installing a Recessed & Semi-Recessed Mirrored Cabinet

A. Determine the rough opening for the cabinet. Refer to "R.O." formula chart on page 3. Opening must be plumb and level.

B. Cabinet comes hinged on left or right side. Be sure to determine the proper hinge location for the unit before installing.

C. Insert cabinet in R.O. and center, Cabinet Flange covers any space in the R.O. around the cabinet and should cover the finished surfaces--Sheetrock and/or tile. Install the cabinet with four (4) #10 x 1 1/2" wood screws (supplied). Use the pre-punched holes above and below the hinge plates (as shown). Do not overtighten. Cover screws with screw caps (part #434).

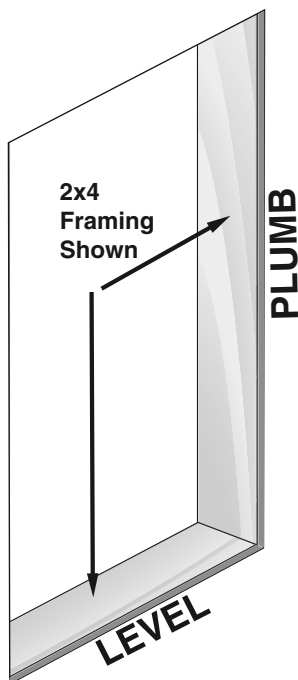
B



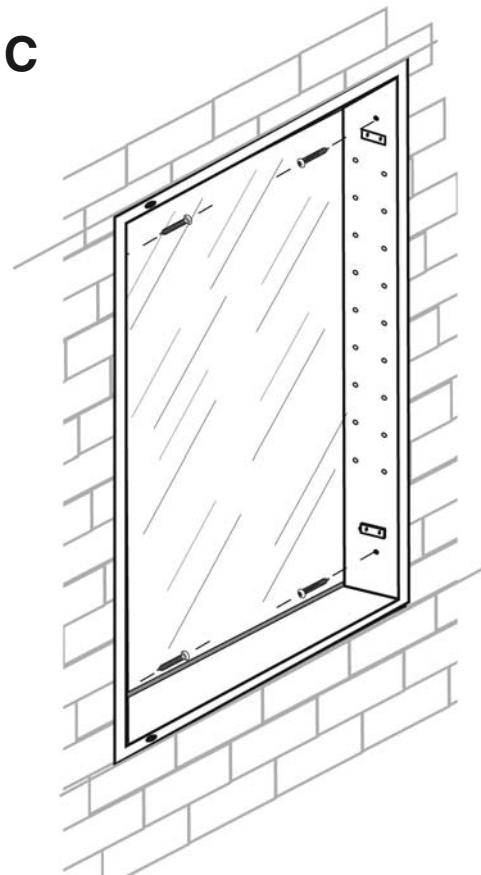
Hinge Plate shown for right hinged door. Handed door is determined at the time of order. Be sure to install with left or right hinged unit on the correct side.

Drawings not shown to scale for Full-Length Mirrored Cabinets

A



C



Combining Two (2) or Three (3) Cabinet Units before Installation.

Any of the cabinets that are the same height may be joined to form one unit. Follow these instructions to create the final size unit before attempting installation.

- Be sure to determine the hinge side door swing location for each unit.
- Mark the top of each unit-- Left, Right or Center with the Hinge plates in the proper position.

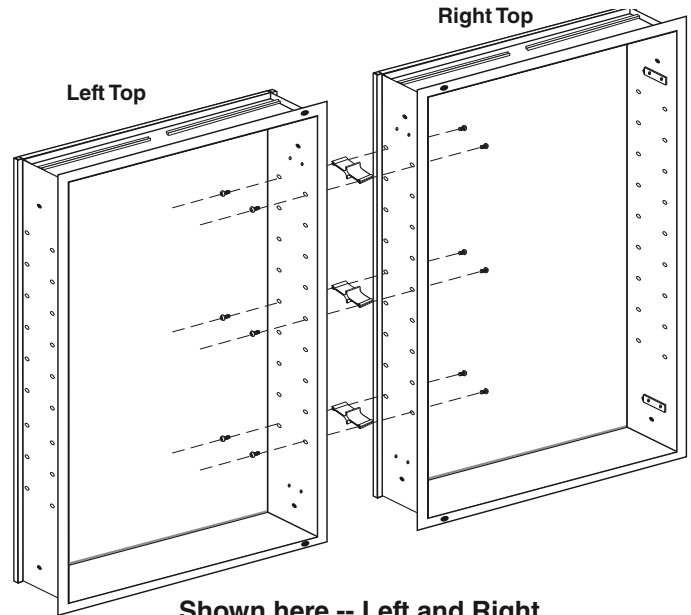
When the unit is fully assembled refer to "R.O." formula chart on page 3 to determine the R.O. required for the unit as assembled.

Assembling multiple cabinet units:

1. Place the units on a 2x4 or 2x6 of sufficient horizontal length to support all the units to be joined. Place 2" edge of the wood flat on the floor with the cabinet facing up with the bottom flush to the inside edge of the 2x4.
2. Install the Cabinet Connector (part #426 or 429) on the outside of the left hand cabinet. Use the pre-punched holes immediately above and below the hinge plate locations. Use screws 10-32 x 1/2" as supplied. (See Section #1)
3. Move the second cabinet into position so that the face flange of both units are aligned. Fix the cabinets together using screws 10-32 x 1/2" as supplied. (See Section #1).
4. If there is a third unit follow the steps above.

Parts required to join Two (2) Cabinets:

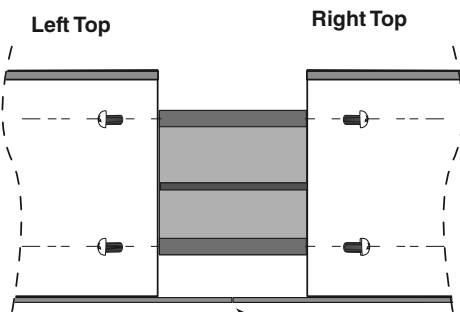
Cabinet depth	Connector Part#	Qty	Screws	Qty	Screw Caps	Qty
4" deep	#426	3	10-32 x 1 1/2"	12	#434	12
6" deep	#429	3	10-32 x 1 1/2"	12	#434	12



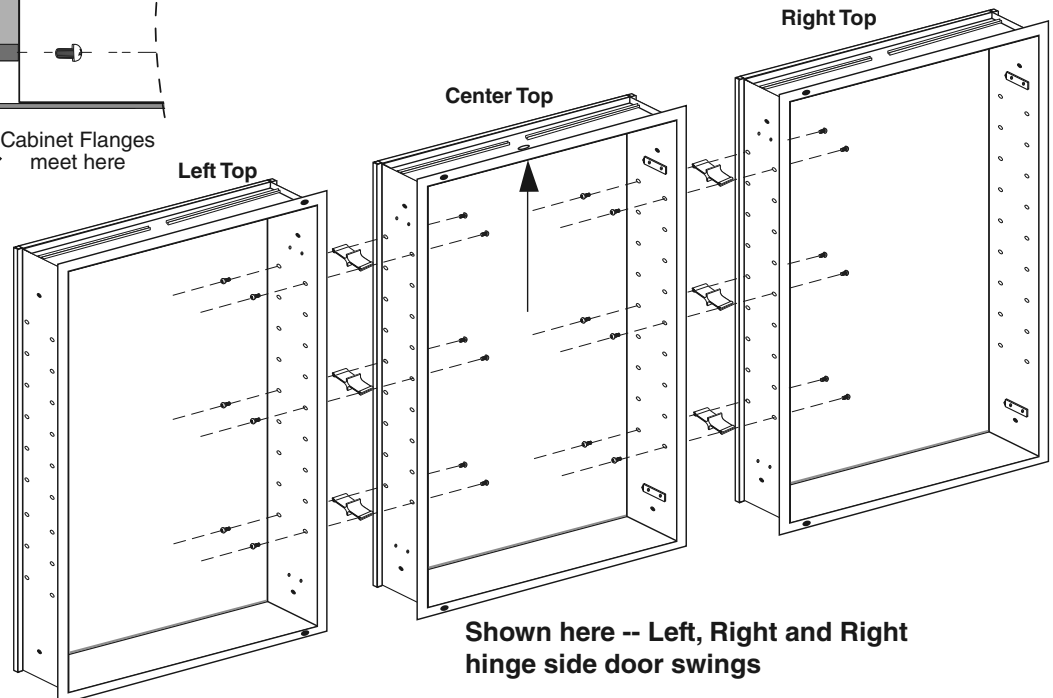
Shown here -- Left and Right hinge side door swings

Parts required to join Three (3) Cabinets:

Cabinet depth	Connector Part#	Qty	Screws	Qty	Screw Caps	Qty
4" deep	#426	6	10-32 x 1 1/2"	20	#434	20
6" deep	#429	6	10-32 x 1 1/2"	20	#434	20



Section 1

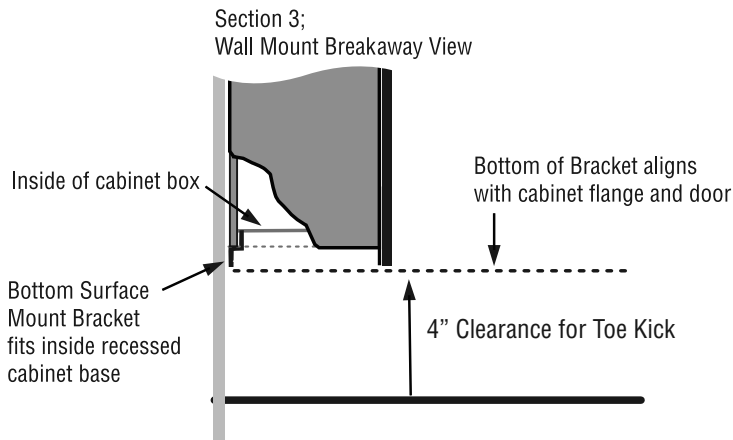
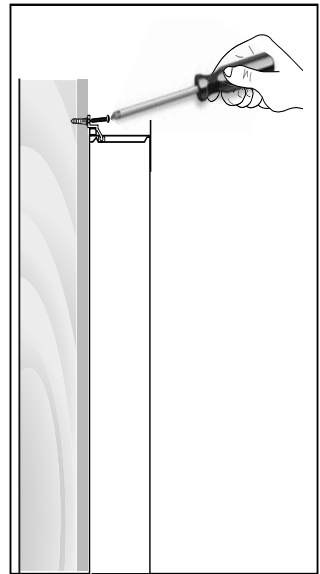
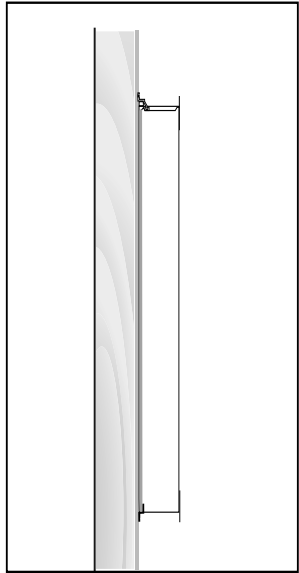
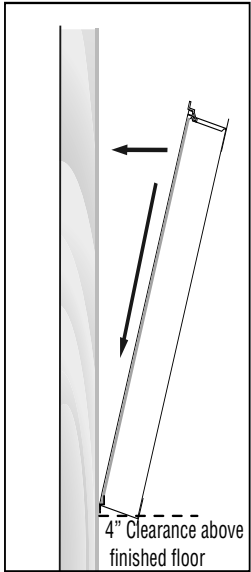
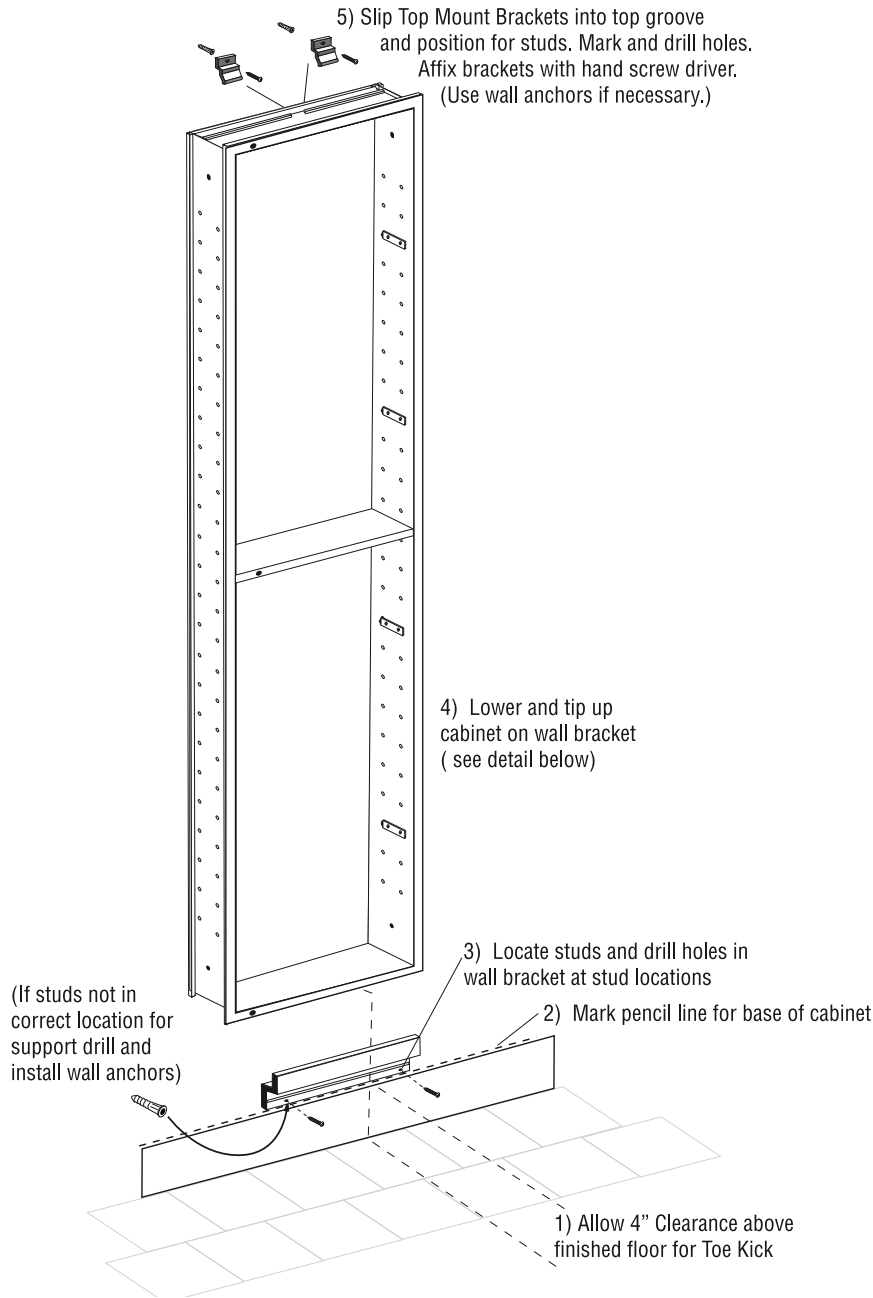


Shown here -- Left, Right and Right hinge side door swings

Drawings not shown to scale for Full-Length Mirrored Cabinets

Installing a Surface Mount Mirrored Cabinet

A. Determine the desired height and use a level to mark a horizontal line. Be sure to allow a minimum clearance of 1" above any base molding or a minimum of 4" for Toe Kick. Remember the base of the cabinet box is 3/4" smaller than the face and the door.



Side Mirror Kit Installation

For surface mounted 4" & 6" Mirrored Cabinet and semi-recessed 6" Mirrored Cabinets.

1) Attach the side mirror kit brackets thru the pre-punched holes in your cabinet.

2) Try to use the first row from the top and bottom of your cabinet. Using the twelve 10-32 x 1/2" screws fasten the brackets and finish with screw caps.

3) Attach the 2" x 2" foam pads to the outside cabinet wall above, below and in between the position of the brackets (to affix mirror to bracket).

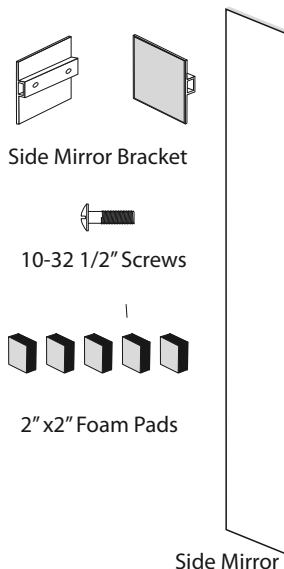
4) Clean the backside of the side mirror kit panel with the Alcohol pads. Check alignment before you attach the mirror to be sure it will align even with the top of the cabinet.

5) Peel off paper covering of the adhesive tape on the side kit brackets pads. (*This holds the mirror in place*). Carefully align the mirror to the cabinet evenly on all four sides. Press firmly into place and attach to the side kit mirror to the cabinet body.

(*Note: Once installed, do not try to remove the mirror as it will break.*)

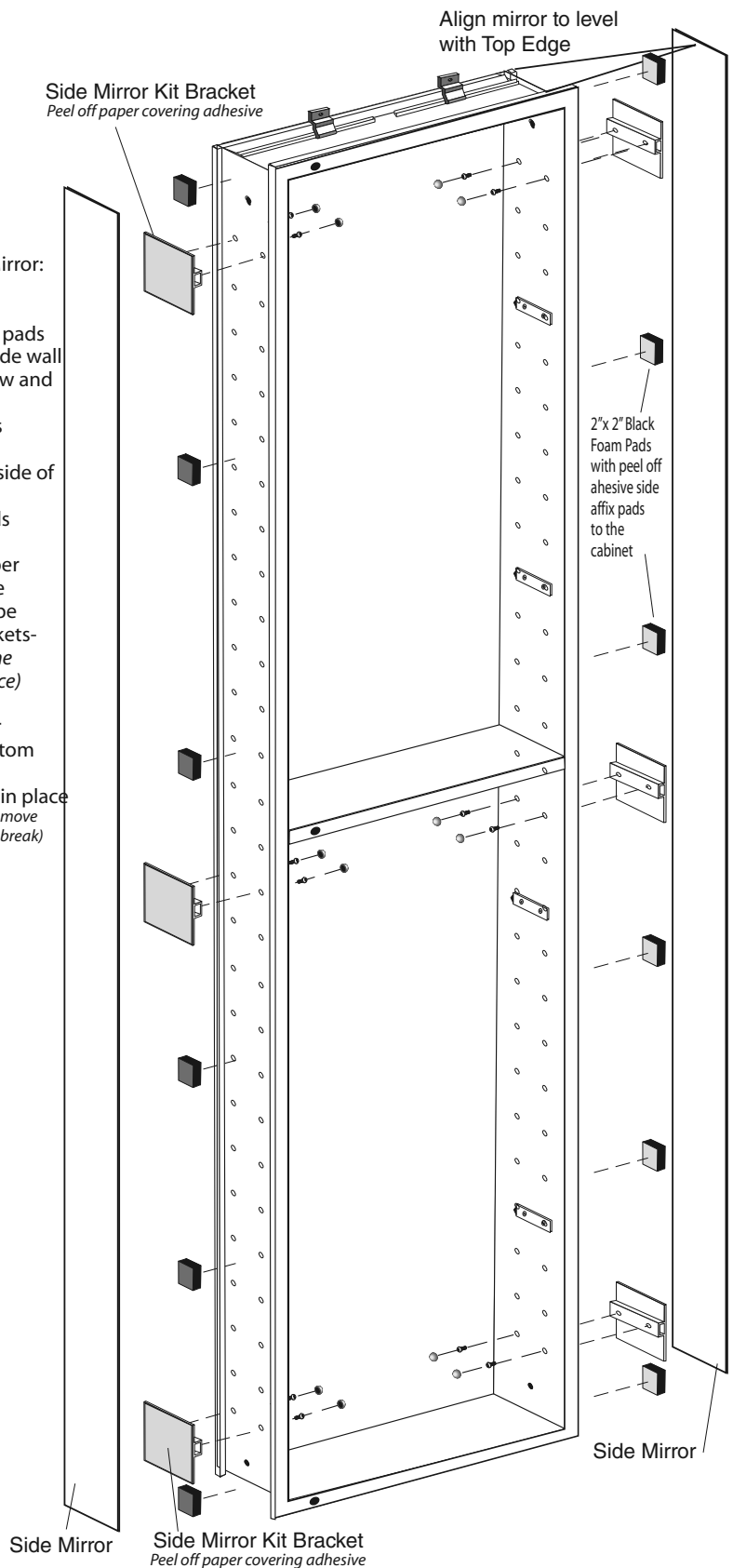
Side Mirror Kit parts list:

- Mirror side panels to match the model height ordered
- 6 Side kit brackets with adhesive tape (*to hold the side mirror in place*)
- 12 2"x 2" Black Foam Pads with peel off adhesive backing (*to affix to cabinet*)
- 12 Screws, 10-32 x 1/2"
- 12 Screw Caps (part # 434-00)
- 2 Alcohol Pads



Install Side Mirror:

- Install foam pads on the outside wall above, below and in between the brackets
- Clean back side of mirror with alcohol pads
- Peel-off paper covering the adhesive tape on the brackets- (*this holds the mirror in place*)
- Align mirror top and bottom
- Press firmly in place (*Do not try to remove mirror as it will break*)



To view a video showing helpful tips on how to install side mirror kits, please go to GlassCraftersMirroredCabinets.com and navigate to the cabinet product that you are installing. Simply click on the installation tab (located below the product images) to view our installation videos.

Glass Shelves Installation

After the Mirrored Cabinet box has been properly installed, determine the appropriate height and location for the glass shelves.

Note: make sure the back wall mirror has been completely cleaned after installation. If cleaning the back wall mirror is necessary, use a household non-ammonia glass cleaner.

Cleaning Recommendations:

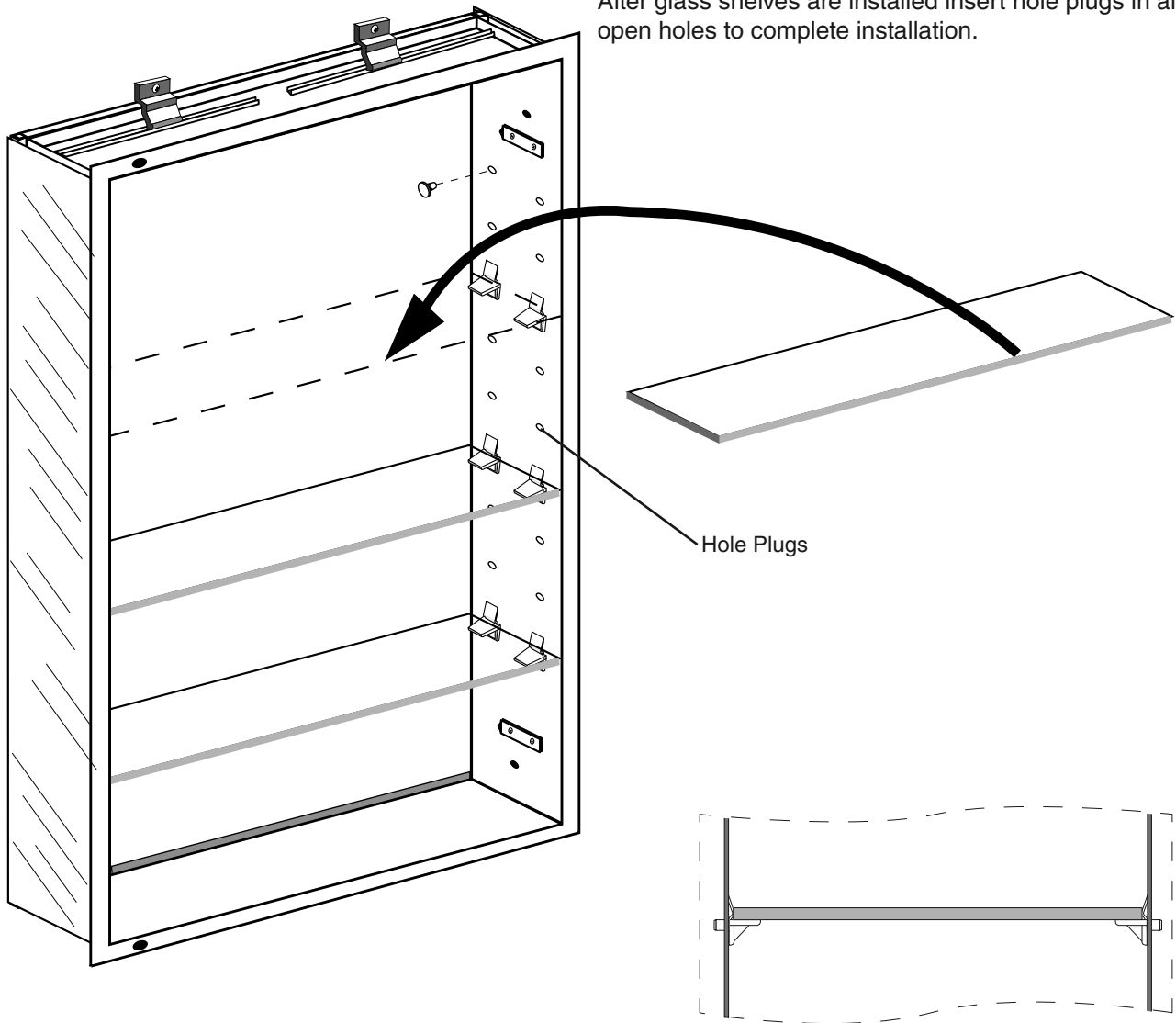
Never use abrasive cleaners or cleaners containing ammonia. This may cause chemical damage to the mirror and void the warranty.

For cleaning the mirror, we recommend using "ammonia free" Sprayway brand glass cleaner, which is available at a variety of retail outlets. www.spraywayinc.com/content/glass-cleaner



Each glass shelf will require four (4) shelf clips. Use care when handling the non-tempered glass shelves. On a level plane insert the shelf clips into the pre-punched holes. The clips are designed for a tight tension fit to hold the shelf. Place each glass shelf on the top of the left clip first, then slowly lower onto the right clip with a snap fit.

After glass shelves are installed insert hole plugs in all open holes to complete installation.



Drawing not shown to scale for Full-Length Mirrored Cabinet

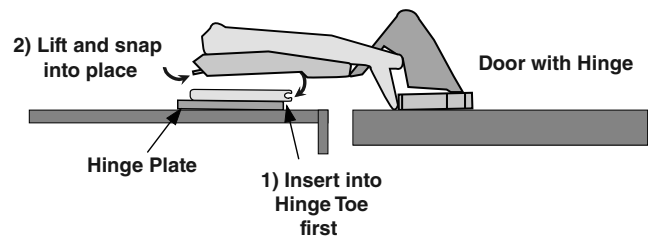
72" Height Series = 8 Shelves + 32 Shelf Clips

Door Installation

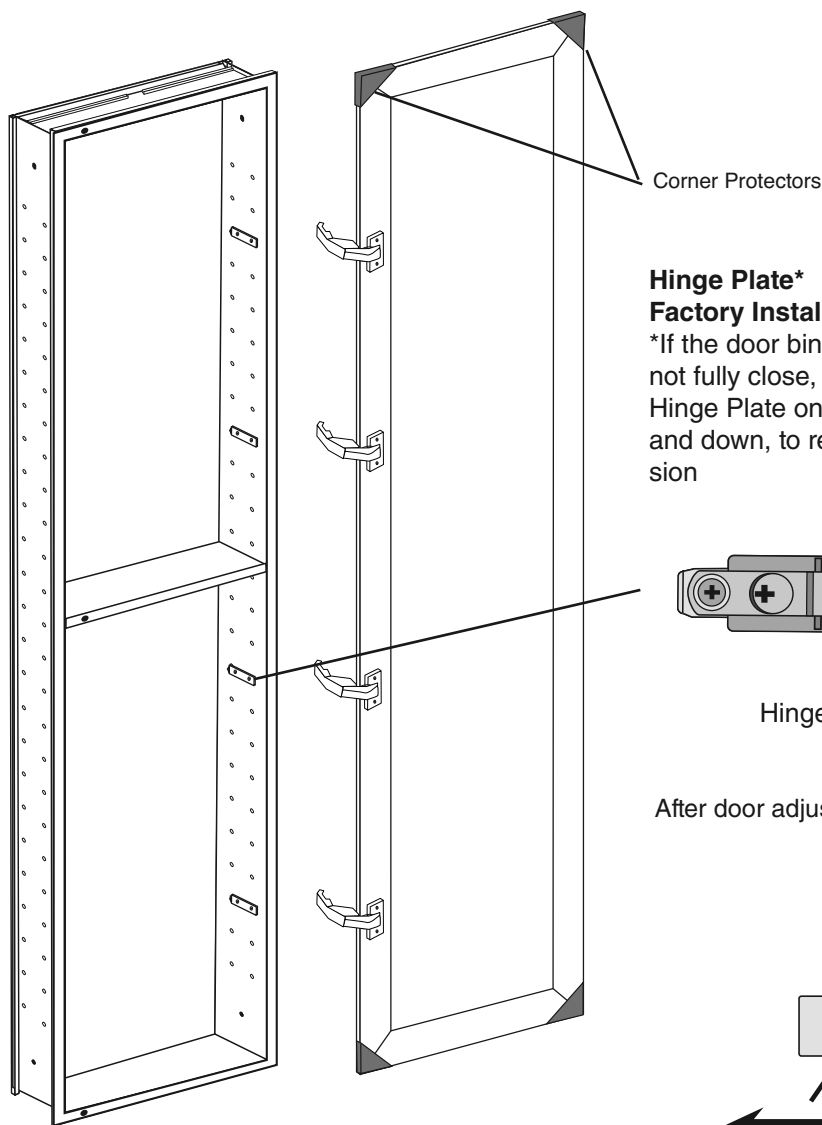
The doors are packed individually for protection of the mirror surfaces. Carefully remove the door from the carton.* Hold the door in the upright position snap open the factory installed hinges. Place the hinge onto the factory-installed mounting plate in the cabinet -- Toe first -- and snap into position. Be careful not to chip the door mirror.

Cabinets are supplied with left or right hinges. Be sure to install with the correct hinged side as per the room plans.

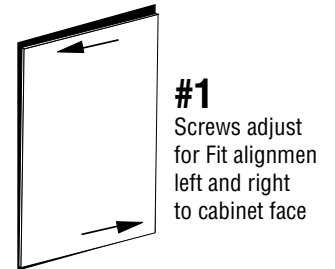
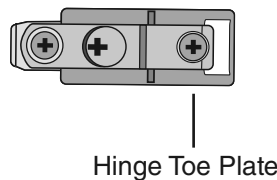
***Do not remove corner protectors until the door is installed. Removing the Door Protectors prior to installation will damage the mirror.**



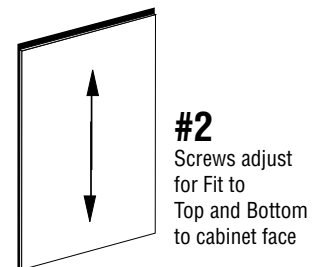
Blum Hinge Adjustment



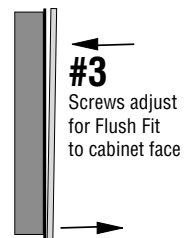
**Hinge Plate*
Factory Installed.**
*If the door binds and does not fully close, adjust the Hinge Plate on the cabinet up and down, to relieve the tension



#1
Screws adjust for Fit alignment left and right to cabinet face

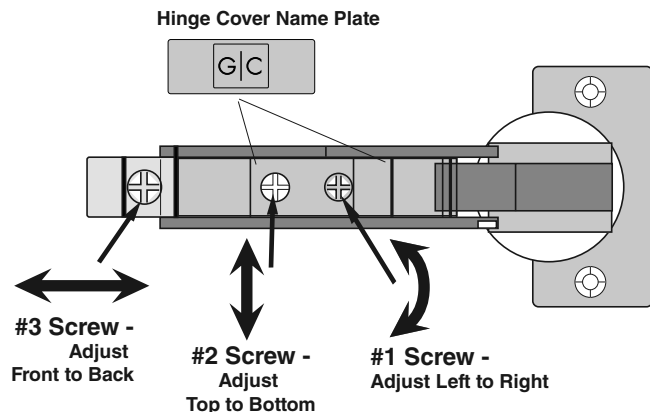


#2
Screws adjust for Fit to Top and Bottom to cabinet face



#3
Screws adjust for Flush Fit to cabinet face

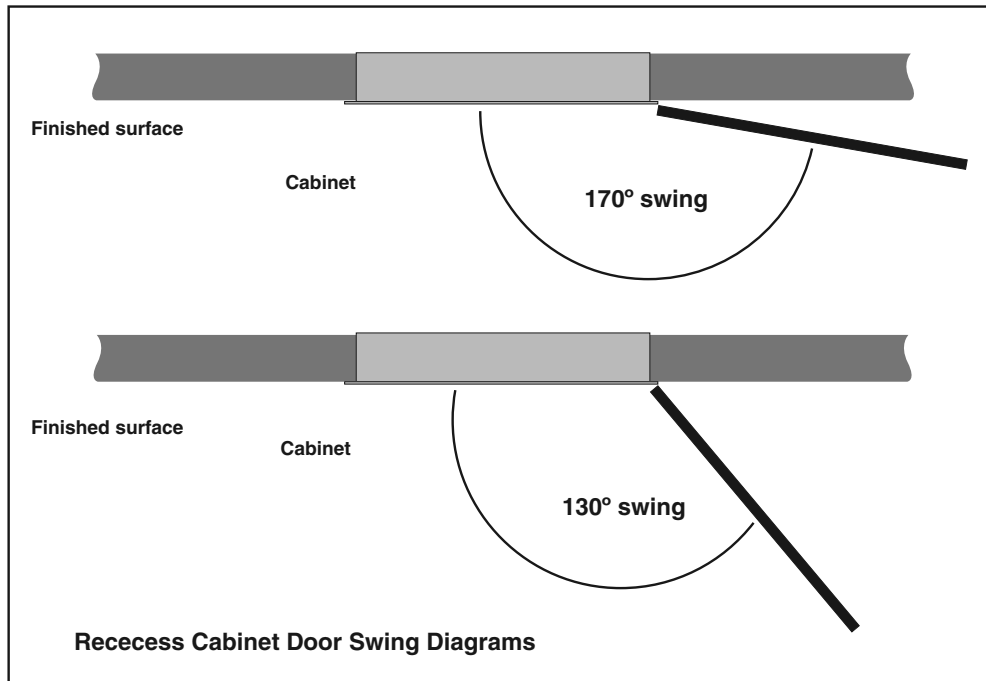
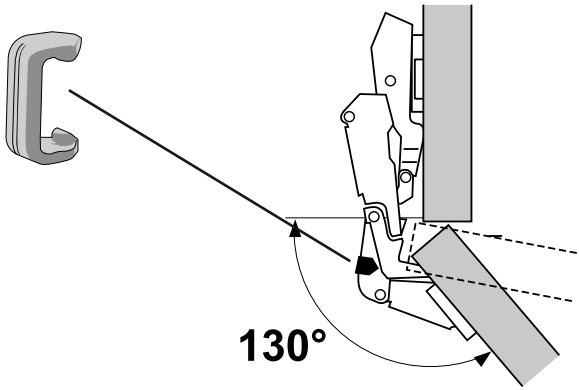
After door adjustments are completed place cover caps on hinges.



To view a video showing helpful tips on how to adjust our cabinet hinges, please go to GlassCraftersMirroredCabinets.com and navigate to the cabinet product that you are installing. Simply click on the installation tab (located below the product images) to view our installation videos.

Limit Clips

Limit Clips are provided should you need to reduce the opening swing of the cabinet door from 170 degrees to 130 degrees (see top view) This will eliminate the possibility of the door hitting a wall sconce or other decorative items.





Master Parts List for Full-Length Mirrored Cabinets

This installation manual serves the complete line of GlassCrafters Full-Length Mirrored Cabinets including all 4" deep and 6" deep models. The general parts list pictured on page 2 shows the single images of a part. To completely inventory the material delivered for your particular model please check the quantities indicated in the part list here.

Model: GC1672-4"		
Model: GC 1672-6"		
	Qty.	Part Number
Cabinet 4" Cabinet	1	GC1672-4-Cab
Cabinet 6" Cabinet	1	GC1672-6-Cab
Door - Boxed Separately	1	GC1672-D
Plastic Wall Anchor	5	# 10 PWA
Wall Anchor Screws	5	# 10 x 1 1/2 Phillips
Bottom Surface Wall Mount Bracket	1	414-03
Top Surface Mount Brackets	2	425-00
Screw Caps	12	434-00
Shelf Clips	32	439-01
Hole Plugs	80	433-00
*Cabinet Connectors 4" Cabinet	3	426-00
*Cabinet Connectors 6" Cabinet	3	429-00
*Cabinet Connector Mounting Screws	12	18-855 10/32" x 1/2"
Glass Shelves 4" Cabinet	8	417-01-A 3 7/16" x 13 1/4" x 5/16"
Glass Shelves 6" Cabinet	8	417-06-A 5 7/16" X 13 1/4" X 5/16"
Hinge Cover Name Plates	4	904-00
130 Degree Limit Clip	4	901-00
Soft Close Cushion	3	900-00
3X Magnification Mirror	1	950-01

Model: GC 2072-4"		
Model: GC2072-6"		
	Qty.	Part Number
Cabinet 4" Cabinet	1	GC2072-4-Cab
Cabinet 6" Cabinet	1	GC2072-6-Cab
Door - Boxed Separately	1	GC2072-D
Plastic Wall Anchor	5	# 10 PWA
Wall Anchor Screws	5	# 10 x 1 1/2 Phillips
Bottom Surface Wall Mount Bracket	1	414-03
Top Surface Mount Brackets	2	425-00
Screw Caps	12	434-00
Shelf Clips	32	439-01
Hole Plugs	80	433-00
*Cabinet Connectors 4" Cabinet	3	426-00
*Cabinet Connectors 6" Cabinet	3	429-00
*Cabinet Connector Mounting Screws	12	18-855 10/32" x 1/2"
Glass Shelves 4" Cabinet	8	417-02-A 3 7/16" x 17 1/4" x 5/16"
Glass Shelves 6" Cabinet	8	417-07-A 5 7/16" X 17 1/4" X 5/16"
Hinge Cover Name Plates	4	904-00
130 Degree Limit Clips	4	901-00
Soft Close Cushion	3	900-00
3X Magnification Mirror	1	950-01

*Cabinet Connectors -- Special Order

Cleaning Recommendations:
Never use abrasive cleaners or cleaners containing ammonia. This may cause chemical damage to the mirror and void the warranty.

For cleaning the mirror, we recommend using ammonia free Sprayway brand glass cleaner, which is available at a variety of retail outlets. www.spraywayinc.com/content/glass-cleaner



To view a video showing helpful tips on how to -- adjust our Cabinet Hinges or to install our Mirrored Side Kits, please go to: GlassCraftersMirroredCabinets.com and navigate to the cabinet product that you are installing. Simply click on the installation tab (located below the product images) to view our installation videos.

WARRANTY

GlassCrafters, Inc. offers a Limited 3 Year Warranty on all mirrored cabinet products. GlassCrafters' warranty provides the original purchaser a guarantee that it will replace or at its own discretion repair products shown to have substantial defects in workmanship or materials. These claims must be filed with your dealer or professional installer and forwarded in writing to GlassCrafters within three years of the delivery date to the end user of the product. GlassCrafters shall not be responsible for any installation or removal costs. This warranty does not apply to the following, chemical or natural corrosion of the mirror. The use of abrasive cleaners or cleaners containing ammonia will cause chemical damage to the mirror, voiding this warranty.

The GlassCrafters warranty does not cover product that is damaged in shipping, accidents in handling during installation or if the reported defects are a result of faulty installation, abuse, misuse, abnormal wear, poor maintenance, accident or repairs by service personnel other than the original professional installer as authorized by GlassCrafters. After the three year period GlassCrafters shall not have any further obligation, expressed or implied including merchantability under the Limited Warranty.

Blum hinges and soft closing cushions have a separate lifetime warranty from Blum, Inc. This warranty is against defects in materials and workmanship as long as the original consumer owns the product. This is a warranty of replacement. After verification of defect, Blum, Inc. will send replacement hardware without charge.

GlassCrafters shall not have any liability for any consequential damages stemming from or in connection with the use per performance of this product. Prevailing state law on the limits of the implied warranty will apply.

The liability of GlassCrafters under any implied or expressed warranty, including merchantability, is expressly limited to the terms of this warranty. Any claim under this warranty must be made directly to the dealer of record.

Permission to return any merchandise under this warranty must be authorized in writing by GlassCrafters and must include prepaid shipping by the purchaser.



GLASSCRAFTERS, INC
193 Veterans Blvd., Carlstadt, NJ 07072

1+(800) 233-7362 (F) 1+(888) 233-7362
sales@glasscraftersinc.com