



GLASSCRAFTERS, INC  
193 Veterans Blvd., Carlstadt, NJ 07072

1+(800) 233-7362 (F) 1+(888) 233-7362  
sales@glasscraftersinc.com

GLASSCRAFTERS INC.

To insure proper installation in complete compliance with your warranty, we recommend installation by a professional installer.



## Mirrored Cabinet Electric Option Installation Instructions

### FOR HOUSEHOLD USE ONLY

Congratulations on your purchase of Americas finest Mirrored Cabinet by GlassCrafters, Inc. World class engineering and state of the art design will enable you to enjoy your cabinet for many years to come.

We realize that the marketplace offers many choices and we thank you for selecting GlassCrafters for your Mirrored Cabinet needs. The following instruction sheets include the ALL MODELS listed on page 2 in both 4" deep and 6" deep Mirrored Cabinets.

**This unit's electrical connections must be made by a Licensed Electrician in a manner that conforms to the National Electric Code.**

### IMPORTANT SAFETY INSTRUCTIONS

When using the Electric Option Mirrored Cabinet, basic precautions should always be followed, including the following:

**Read all instructions before using.**

**DANGER** – To reduce the risk of electric shock:

1. DO NOT SPRAY LIQUID CLEANERS on the electrical shelf and outlets. For cleaning the mirror, we recommend using "ammonia free" Sprayway brand glass cleaner applied to a clean cloth.

**WARNING** – To reduce the risk of burns, fire, electric shock, or injury to persons:

1. Close supervision is necessary when this Electric Option Mirrored Cabinet is used by, or near children, invalids, or disabled persons.
  2. Use this Electric Option Mirrored Cabinet only for its intended use as described in these instructions. Do not use attachments not recommended by the manufacturer.
  3. Never drop or insert any object into any opening.
  4. Do not use outdoors.
  5. For loading always put heavier items at the bottom and not near the top. in order to help prevent the possibility of the furnishing tipping over.
  6. Each surface intended to support a load on not more than 3 lbs.
- DO NOT LEAN ON OR USE ANY SHELF FOR SUPPORT.

### SAVE THESE INSTRUCTIONS

Any servicing is to be performed by an authorized service representative. The unit has no user serviceable parts.

### WARNING

#### All GLASSCRAFTERS

**Mirrored Cabinet Electric Option must be wired to a Class A 120V AC 20 Amp GFCI circuit breaker (Ground Fault Circuit Interrupter) when used in bathrooms and all other locations required by the National Electric Code.**

**A Maximum of 3 interconnected unit use may be installed utilizing a Class A 120V AC 20 Amp GFCI circuit. Each Electric Option unit is rated to draw 15 amps. Electric wiring must be by a licensed electrician. Recessed or wall mounted installations to be performed by a professional installer. See pages 7 through 10 of this manual.**

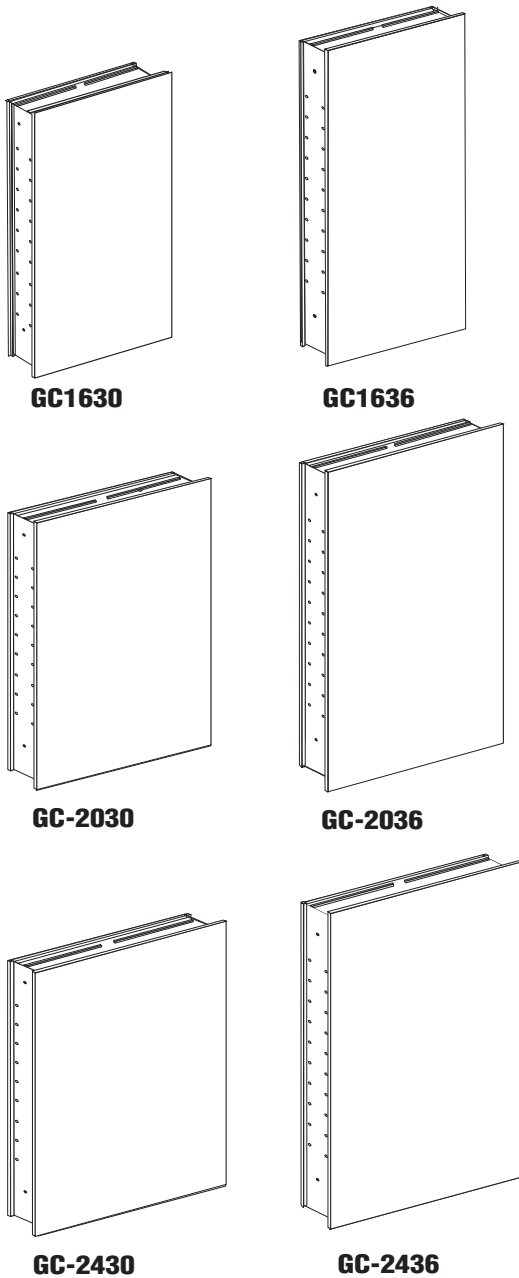
Patent -- [www.glasscraftersincpatents.com](http://www.glasscraftersincpatents.com)

Please use extreme care while unpacking and handling your GlassCrafters' Mirrored Cabinet. Report any damage immediately to our GlassCrafters customer service team at 800-233-7362, Monday thru Friday from 8:00 am to 5:00 pm (EST)

Revised 9/2017

# Mirrored Cabinet Electric Option

The following instruction sheets include the ALL MODELS listed below in both 4" deep and 6" deep Mirrored Cabinets.



GC1630

GC1636

GC-2030

GC-2036

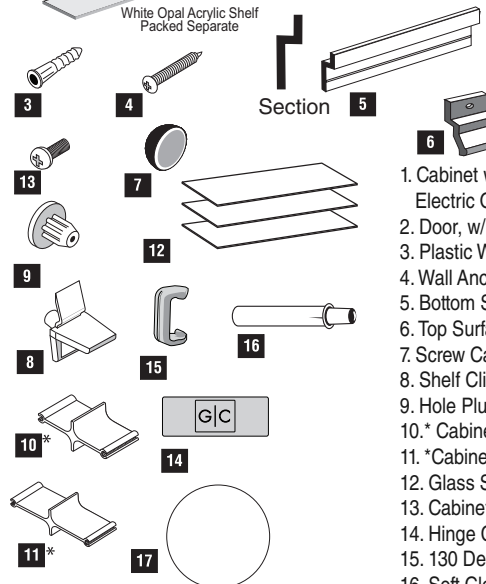
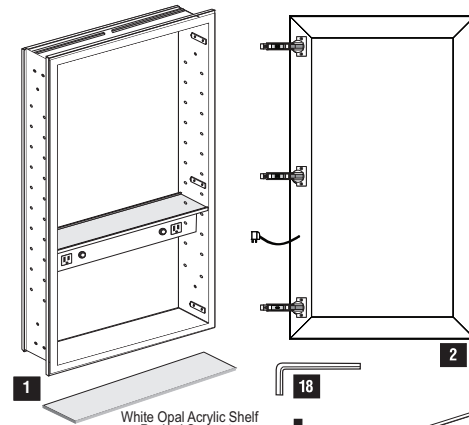
GC-2430

GC-2436

Patent -- [www.glasscraftersinpatents.com](http://www.glasscraftersinpatents.com)

Unpack all parts carefully and protect Glass and Mirror parts during installation.

Carefully review all parts and read the installation instruction before you start. Please refer to pages 14 & 15 for the exact parts list and item counts for each model number.



1. Cabinet w/pre-installed Electric Option shelf
2. Door, w/ Heated Defogger
3. Plastic Wall Anchors
4. Wall Anchor Screws
5. Bottom Surface Mount Wall Bracket
6. Top Surface Mount Bracket
7. Screw Caps
8. Shelf Clips
9. Hole Plugs
- 10.\* Cabinet Connectors 4" deep
- 11.\* Cabinet Connectors 6" deep
12. Glass Shelves
13. Cabinet Connector Mounting Screws
14. Hinge Cover Name Plates
15. 130 Degree Limit Clips
16. Soft Close Cushion
17. 3X Magnification Mirror
18. Allen wrench

For Side Mirror Kits used in Surface and Semi Recessed mounts see our catalog for model number and order information.

\* Special order

To insure proper installation in complete compliance with your warranty, we recommend installation by a professional installer.

**WARNING**  
 All GLASSCRAFTERS Electric Option Cabinets must be wired to a Class A 120V AC 20 Amp GFCI circuit breaker (Ground Fault Circuit Interrupter) when used in bathrooms and all other locations required by the National Electric Code.

SAVE THESE INSTRUCTIONS FOR FUTURE REFERENCE

## Index

Parts List for All Models .....	2
Cabinet Section View, Digram EL1 .....	3
Wiring Schematic .....	4
Wiring Inside the Shelf, Steps .....	5
Determining the Rough Opening .....	6
Recessed and Semi-Recessed Installation .....	7
Combining two (2) or three (3) Cabinets .....	8
Installing Surface Mount Cabinet .....	9
Isometric view with door, Step 6 .....	10
Surface Mount Side Kit Installation .....	11
Glass Shelves Installation .....	12
Door Installation and Adjustment Limit Clips .....	13
Cleaning Recommendations .....	12 & 14
Parts Inventory by Model Number .....	14-15
Warranty .....	16

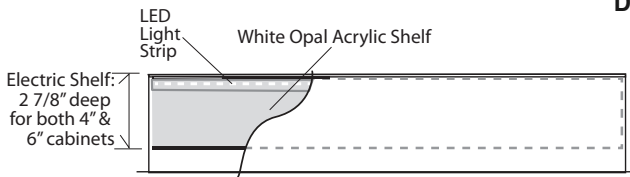
## Tools Required for Installation

GlassCrafters recommends the following tools to properly and safely install your Mirrored Cabinets.

- A. Safety Glasses -- should be worn at all times
- B. Tape Measure
- C. Level
- D. #2 Phillips Head Screw Driver

- E. Power Screw Driver
- F. Electric Drill
- G. 8mm 3/16" Masonry Drill Bit
- H. 7/32" Drill Bit
- I. Non Ammonia Household Glass Cleaner
- J. Soft Paper Towels

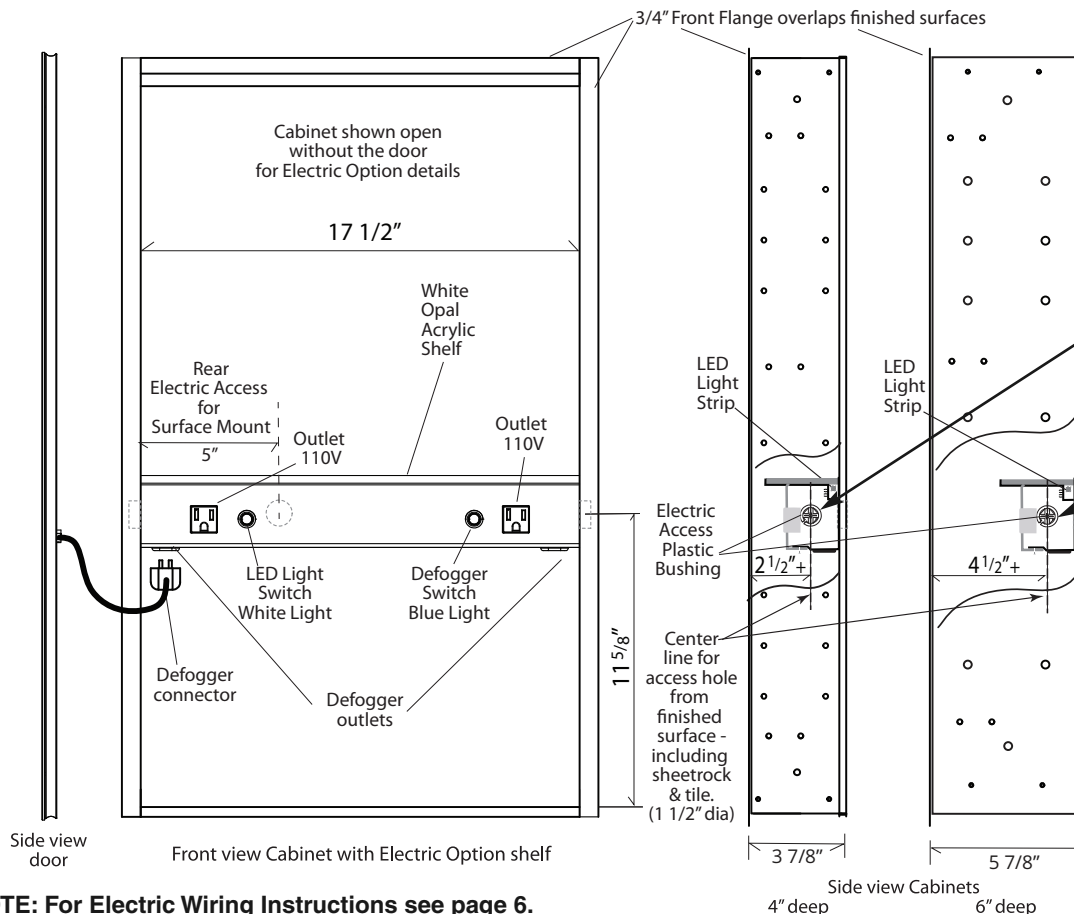
Diagram EL1



Top view Cabinet with section for Electric Option shelf

### Electric Option Features:

- 2 Electrical AC Outlets
- Integral LED Light
- Heated Door Defogger
- Illuminated Indicator Switches



**NOTE: For Electric Wiring Instructions see page 6.**

- All Electric Option units for all 30" and 36" height cabinets -- 16", 20" & 24" wide --are factory installed at the same height above the cabinet base.
- Electric Access pull through location is also in the same position for all sizes.
- The Electric Option details shown here are common to all sizes and models.
- All wiring should be done by a qualified licensed electrician

**All wiring should be done by a qualified licensed electrician in a manner that conforms to the National Electric Code.**

- This unit has a complete Electrical Shelf with light and outlets factory installed.
- Do not attempt to repair or change any connections within the Electric Option shelf.
- The 45 Watt Door heater/defogger plugs into the Electric Option shelf. The Door is equipped with a connect cord on the hinge side. The left or right hand orientation of the door must be determined at the time of order. Add "EL" or "ER" to the model code on this product. See Price Sheet for model code directions.
- The Electric Option is available with frameless or framed mirror cabinets.

## Mirrored Cabinet Electric Option

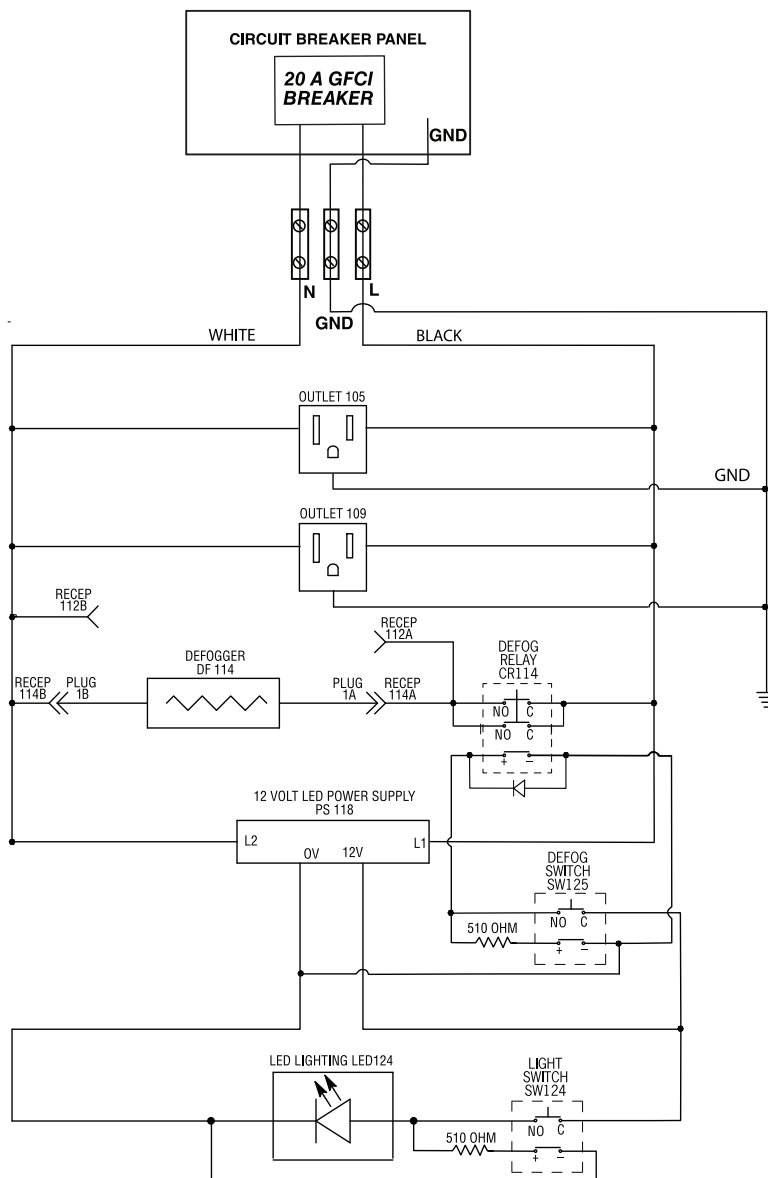
Unpack all parts carefully and protect Glass and Mirror parts during installation.

### WARNING -- IMPORTANT SAFETY INSTRUCTIONS

To reduce the risk of electric shock, burns injury or fire follow these precautions:

1. Install and use this cabinet in a household or commercial residential setting.
2. Do not alter or add any features or other appliance not recommended by the manufacturer.
3. Do not alter the factory installed Electric Option shelf or any of its features or appurtenances.
4. **This unit's service wiring and electrical connections must be made by a Licensed Electrician in a manner that conforms to the National Electric Code.**
5. **This unit requires a Class A 120V AC 20 Amp GFCI circuit breaker (Ground Fault Circuit Interrupter) when used in bathrooms and all other locations required by the National Electric Code.**

**GROUNDING:** This product must be connected to a grounded, metal permanent wiring system or an equipment-grounding conductor must be run with the circuit conductors and connected to the equipment terminal or lead on this product.



### STEPS FOR WIRING ELECTRIC OPTION: See illustrated steps on page 5.

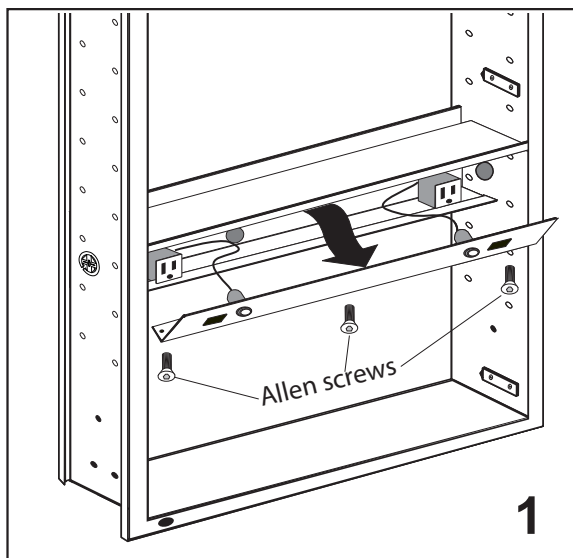
- Electrician should have roughed electrical wire for selected access hole in cabinet (See page 6).
  - For Recessed -- Left or Right side access (as determined at the time of order by the door hand).
  - For Surface Mount - rear access (See page 9).

*NOTE: Only remove the Electric Option shelf's front cover to make the electrical connection.*

1. Remove three screws from the bottom of the Electric Option shelf using the Allen wrench supplied. Gently lift and rotate Electric Option shelf's front cover forward for access to the electrical connections. **Take special care not to scratch the inside of the cabinet when lowering the electric shelf front cover for wire access. Let cover hang from the switch wire to make the electrical connection within the shelf.**
2. Feed electric wire through access hole's plastic bushing with at minimum of 20" excess wire. Install cabinet.
3. Connect Black, White and Green to matching wiring within the junction connector.
4. Replace the Electric Option shelf front cover making sure not to crimp or pinch the switch wires and other electrical connections. Do not use any other screws other than the Allen screws supplied with the cover.
5. Insert white opal acrylic shelf on Electric Option shelf.
6. Install door. Plug Defogger tether into the nearest defogger outlet located on the bottom of the Electric Option shelf.
7. Check with power supply on-- illuminated indicator switches: Right Side -- Heated Door Defogger (blue); Left Side --Integral LED Light (white). Turn off power supply until final finishes are complete.

ALL 120V WIRE TO BE 14 GAUGE AWM UNLESS SUPPLIED BY THE DEVICE MANUFACTURER

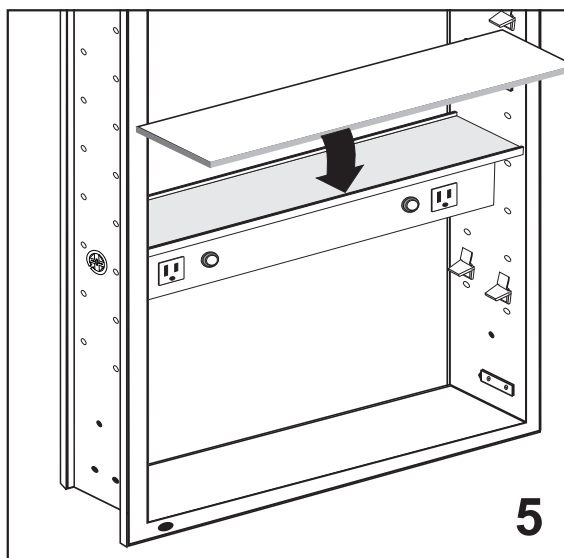
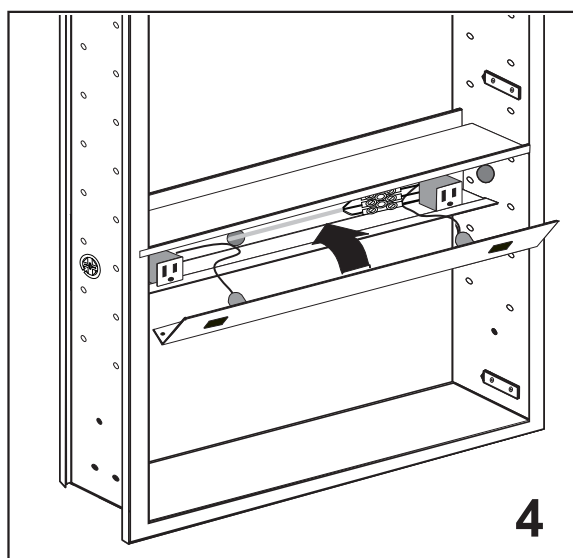
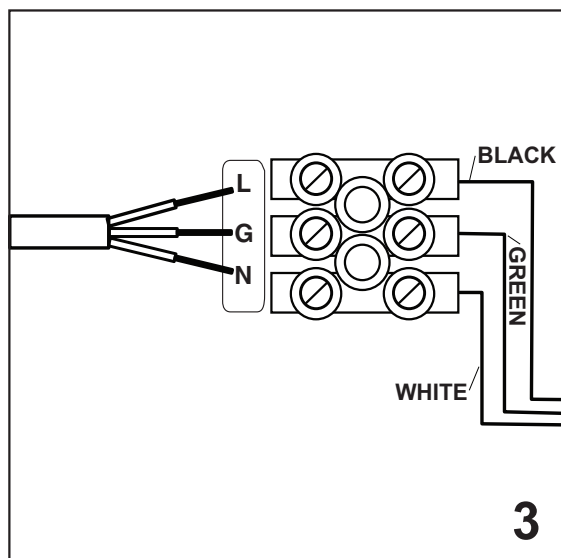
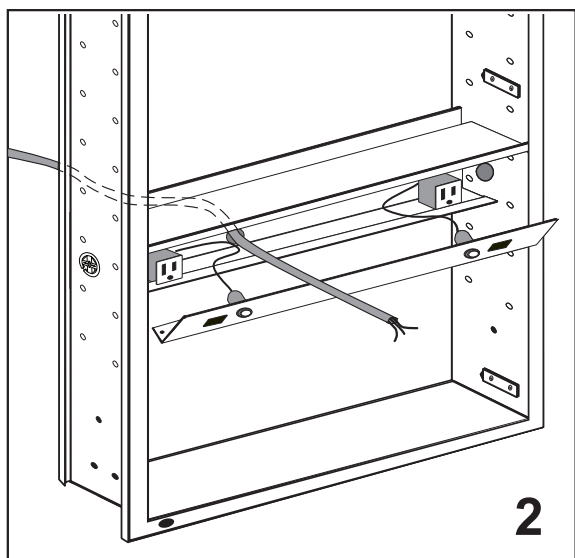
# Wire Connections in the Shelf



## NOTES:

- This Electric Option shelf has been factory installed. Do not alter, change or add any wiring, other than making the service connection to this unit.
- Up to 3 cabinets can be individually wired for electric to one Class A 20A GFCI circuit.

**WARNING**  
**All GLASSCRAFTERS**  
**Electric Option Cabinets must be**  
**wired to a Class A 120V AC 20 Amp**  
**GFCI circuit breaker**  
**(Ground Fault Circuit Interrupter)**  
**when used in bathrooms and all**  
**other locations required by the**  
**National Electric Code.**



# Rough Opening and Framing

## RECESSED MOUNTING -- Determining the Rough Opening "RO" Dimension

Framing in new construction should follow these dimensions. Standard 2x4 studs and 1/2" sheetrock are shown in the illustrations.

For 6" deep models, a semi-recessed installation is required. For fully recessed 6" deep models, 2x6 studs are required.

Model Number	Rough Opening Single Cabinet		Rough Opening Two (2) cabinets		Rough Opening Three (3) cabinets	
	Width	Height	Width	Height	Width	Height
GC1630	14 3/8"	29 3/8"	29 3/8"	29 3/8"	44 3/8"	29 3/8"
GC1636	14 3/8"	35 3/8"	29 3/8"	35 3/8"	44 3/8"	35 3/8"
GC2030	18 3/8"	29 3/8"	37 3/8"	29 3/8"	56 3/8"	29 3/8"
GC2036	18 3/8"	35 3/8"	37 3/8"	35 3/8"	56 3/8"	35 3/8"
GC2430	22 3/8"	29 3/8"	45 3/8"	29 3/8"	68 3/8"	29 3/8"
GC2436	22 3/8"	35 3/8"	45 3/8"	35 3/8"	68 3/8"	35 3/8"

Single Cabinet "RO" Rough Opening formula: Overall cabinet width less 5/8" = Rough Opening

Two Cabinets "RO" Rough Opening formula: Overall cabinet width less 5/8" plus the overall width of the second added cabinet = Rough Opening

Three Cabinet "RO" Rough Opening formula: Overall cabinet width less 5/8" plus the overall width of the two added cabinets = Rough Opening

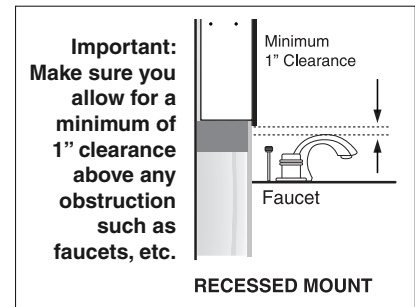
Example: Model GC1630 combined with Model GC2430 = 15" less 5/8" = 14 3/8" plus 23" = 37 3/8" R.O. width.

Height: overall cabinet height less 5/8" = R.O. Height.

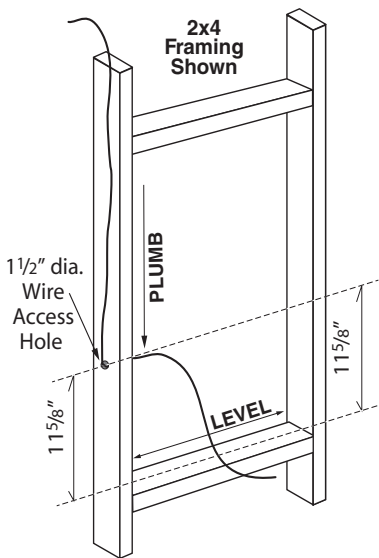
### RECESSED MOUNTING -- Rough Opening:

Note: Cabinet installs over finished wall with sheetrock and/or tile finishes completed. 3/4" Flange on all sides of the cabinet will cover the remaining space in the R.O.

**SPECIAL NOTE:** When installing this cabinet over the finished surface that includes tile, the location of the wire access hole must be repositioned to allow for the thickness of the tile.



Recessed Cabinet Framing detail wire access hole location

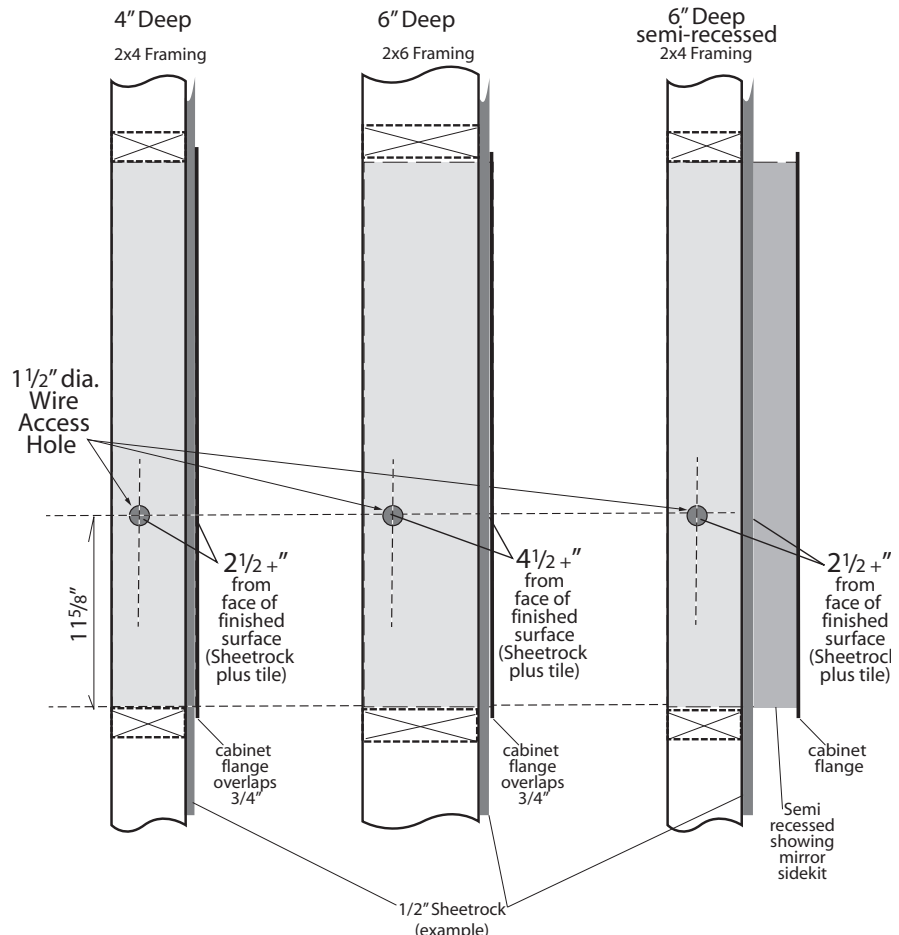


Can Drill Rough Wiring access from either side. Allow 20" excess wire for pull through.

### Rough Wiring:

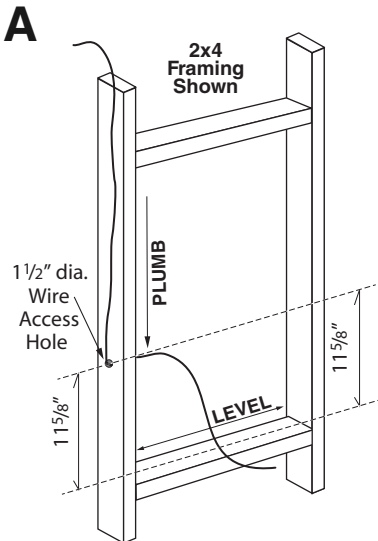
Rough wire for this unit should extend 20" from either the left or right wire access on the side of the cabinet to make the connections within the Electric Shelf.

Recessed Cabinet Framing side views showing wire access hole location



## Installing a Recessed & Semi-Recessed Mirrored Cabinet Electric Option

**A.** Determine the rough opening for the cabinet. Refer to "R.O." formula chart and diagrams on page 6. Opening must be plumb and level. **Install Electric Option rough wiring with at least 20" excess wire to enable pull through from either the left or right wire access plastic bushing installed in the cabinets.** This unit requires a Class A 120V AC 20 Amp GFCI circuit breaker (Ground Fault Circuit Interrupter) required by the National Electric Code. All Electric work must be provided by a Licensed Electrician.

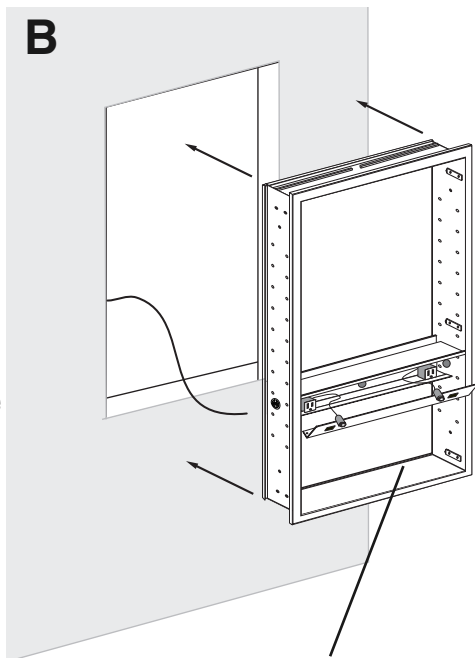


**SPECIAL NOTE:** When installing this cabinet over the finished surface that includes tile, the location of the wire access hole must be repositioned to allow for the thickness of the sheetrock and the tile.

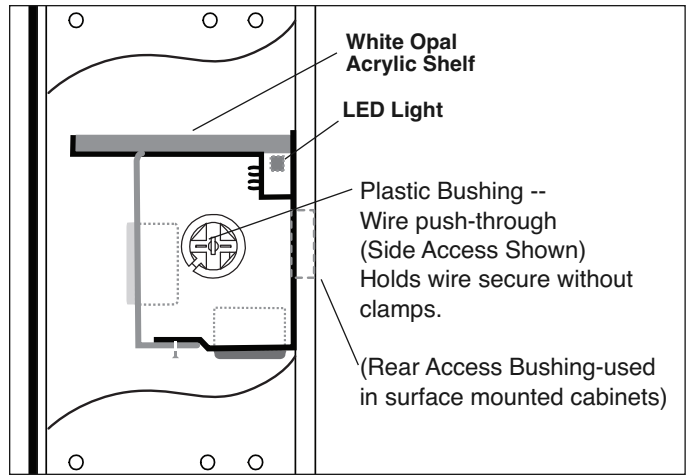
**B.** Cabinet can be hinged on left or right. **YOU MUST ORDER A LEFT OR RIGHT HANDED DOOR AT THE TIME OF ORDER FOR ALL MIRRORING CABINET ELECTRIC OPTION UNITS.**

For multiple cabinet units determine the hinge location for each unit before they are joined together and mark the top of each unit.

Remove the front panel of the Electric Option shelf using the Allen wrench supplied. (DO NOT LOSE THE ALLEN SCREWS PROVIDED.) (Refer to steps 1-2 on page 5 for detailed diagrams). Pull wire through access. Insert cabinet in R.O. and center. Cabinet flange covers any gaps in the R.O. around the cabinet and should overlap the finished surfaces--sheetrock and/or tile.

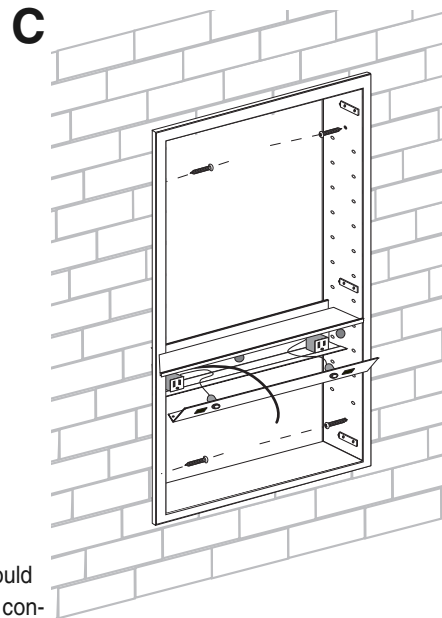


Hinge Plate shown for right hinged door.



**THE 1 1/2" ACCESS HOLE MUST BE ALIGNED EXACTLY WITH THE PLASTIC BUSHING TO PREVENT CRIMPING. FOR EXACT DRILL LOCATIONS FOR THE ELECTRIC ACCESS HOLE SEE DIAGRAMS ON PAGE 6**

**C.** Install the cabinet with four (4) #10 x 1 1/2" wood screws (supplied). Use the pre-punched holes above and below the hinge plates (as shown). Do not overtighten. Cover screws with four screw caps (part #434).



Electrician should make the wire connections and replace the Electric Option shelf's front cover with the three Allen screws provided. Make sure not to crimp or pinch the switch wires and other electrical connections. (Refer to steps 1-5 on pages 5 for detailed diagrams).

**TAKE CARE NOT TO SCRATCH THE INSIDE WALL OF THE CABINET WITH THE EDGES OF THE SHELF COVER.**

**DO NOT ALTER ANY WIRING WITH THE ELECTRIC OPTION UNIT OTHER THAN MAKING THE INITIAL CONNECTION.**

## Combining Two (2) or Three (3) Cabinet Units before Installation.

Any of the cabinets that are the same height may be joined to form one unit. Follow these instructions to create the final size unit before attempting installation.

**For Multiple Cabinets:** Two or Three unit cabinets must be joined as shown before installation.

Note: Three cabinet units require an additional installation screw in the top center of the center unit. Drill an access hole in the cabinet and install an additional #10 x 1 1/2" wood screw. Cover the screws with four or five screw caps (part #434).

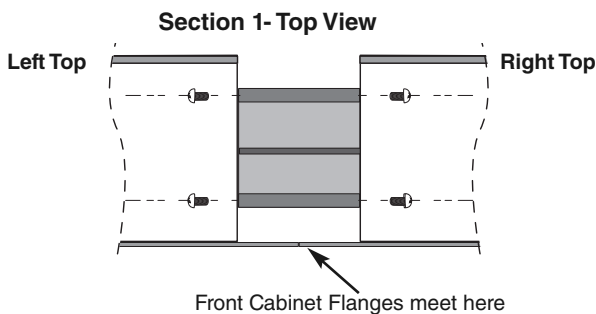
- Be sure to determine the hinge side door swing location for each unit.
- YOU MUST ORDER A LEFT OR RIGHT HANDED DOOR AT THE TIME OF ORDER FOR ALL MIRRORED CABINET ELECTRIC OPTION UNITS.
- Mark the top of each unit-- Left, Right or Center with the Hinge plates in the proper position.

When the unit is fully assembled refer to "R.O." formula chart on page 7 to determine the R.O. required for the unit as assembled.

### Assembling multiple cabinet units:

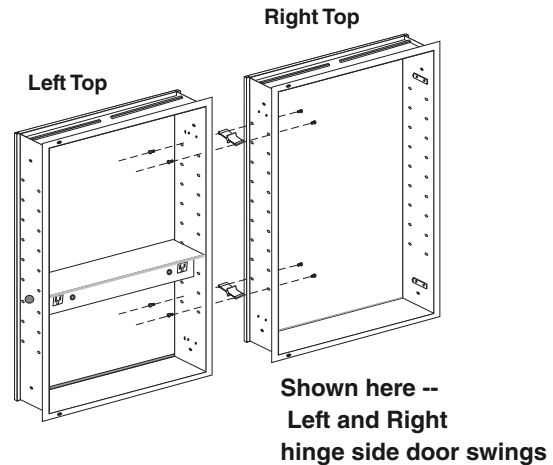
1. Place the units on a 2x4 or 2x6 stud of sufficient horizontal length to support all the units being joined. Place 4" edge of the stud flat on the floor with the cabinet facing up and the bottom flush to the inside edge of each 2x4.
2. Install the Cabinet Connector (part #426 or 429) on the outside of the left hand cabinet. Use the pre-punched holes immediately above and below the hinge plate locations. Use screws 10-32 x 1/2" as supplied. (See Section #1)
3. Move the second cabinet into position so that the face flange of both units are aligned. Fix the cabinets together using screws 10-32 x 1/2" as supplied. (See Section #1).
4. If there is a third unit repeat the steps above.

**WARNING: Units are not intended to be interconnected electrically. Each Mirrored Cabinet with Electric Option requires its own independent connection to junction box.**



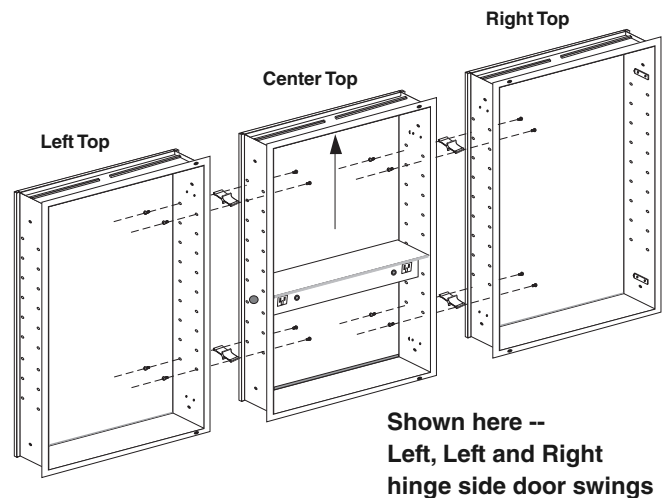
### Parts required to join Two (2) Cabinets:

Cabinet depth	Connector Part#	Qty	Screws	Qty	Screw Caps	Qty
4" deep	#426	2	10-32 x 1 1/2"	8	#434	8
6" deep	#429	2	10-32 x 1 1/2"	8	#434	8



### Parts required to join Three (3) Cabinets:

Cabinet depth	Connector Part#	Qty	Screws	Qty	Screw Caps	Qty
4" deep	#426	4	10-32 x 1 1/2"	16	#434	16
6" deep	#429	4	10-32 x 1 1/2"	16	#434	16





# Installing a Surface Mount Mirrored Cabinet Electric Option

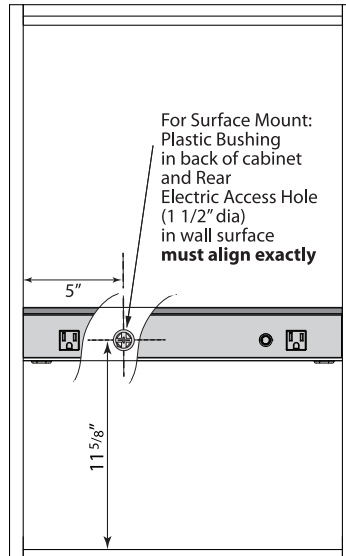
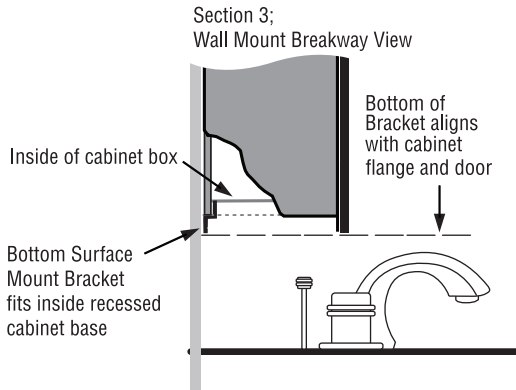
**Important:**

Make sure you allow for a minimum of 1" clearance above any obstruction such as faucets, etc.

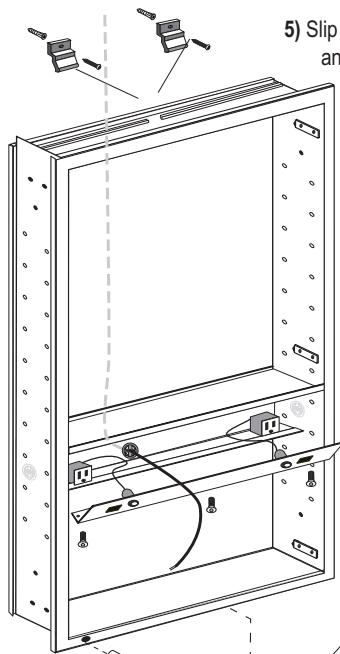
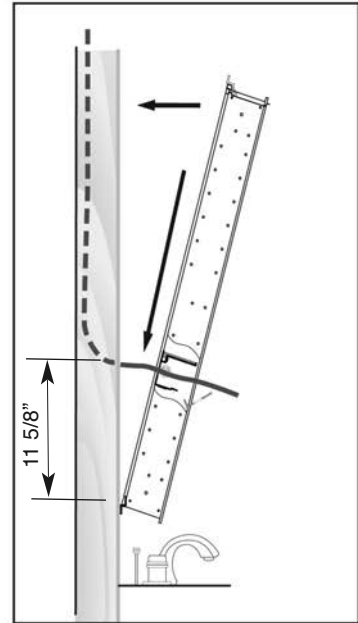
Breakaway view of Cabinet and Shelf showing wire access Plastic Bushing

For Surface Mounted Cabinets-- Rough Wiring to rear access Plastic Bushing on the back of the cabinet.

- Access hole location is measured 5" from left each of cabinet box and up 11 5/8" from the mounting bracket.
- Drill 1 1/2" through wall surface
- Pull wire through and allow at least 20" rough wiring for inserting in shelf at installation.



**A.** Determine the desired height and use a level to mark a horizontal line. Be sure to allow a minimum clearance of 1" above any obstruction and plumbing fixtures. Remember the base of the cabinet box is 3/4" smaller than the face and the door.



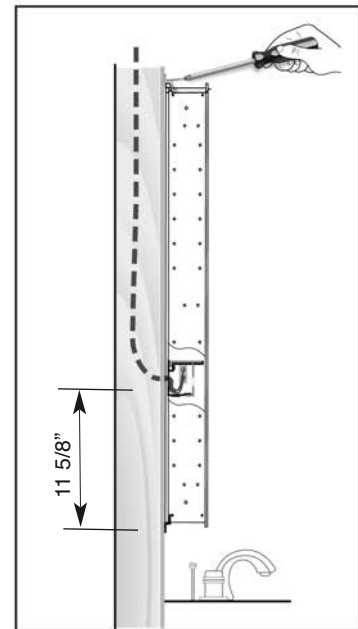
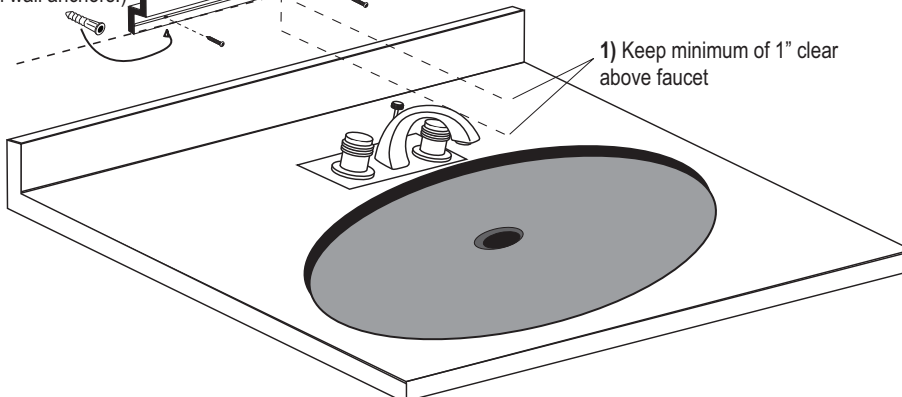
- 4) Electric Connection when Mounting to wall:**  
Refer to pages 3- 6 and to Steps 1-5 on page 5 for detailed diagrams.
- Open front panel in Electric Option shelf using the Allen wrench supplied. Do not lose the Allen screws provided.
  - Tip electric shelf cover down. **Take care not to scratch side wall of cabinet with the edges of the shelf cover. (Cover will stay in place with switch wiring.)**
  - Pull rough wiring through rear plastic bushing access in the back of cabinet.
  - Lower onto wall bracket and tip up cabinet against wall. (When Electrician has completed wire connections be sure to replace shelf cover with Allen screws supplied.)

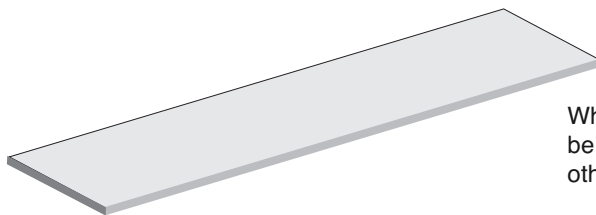
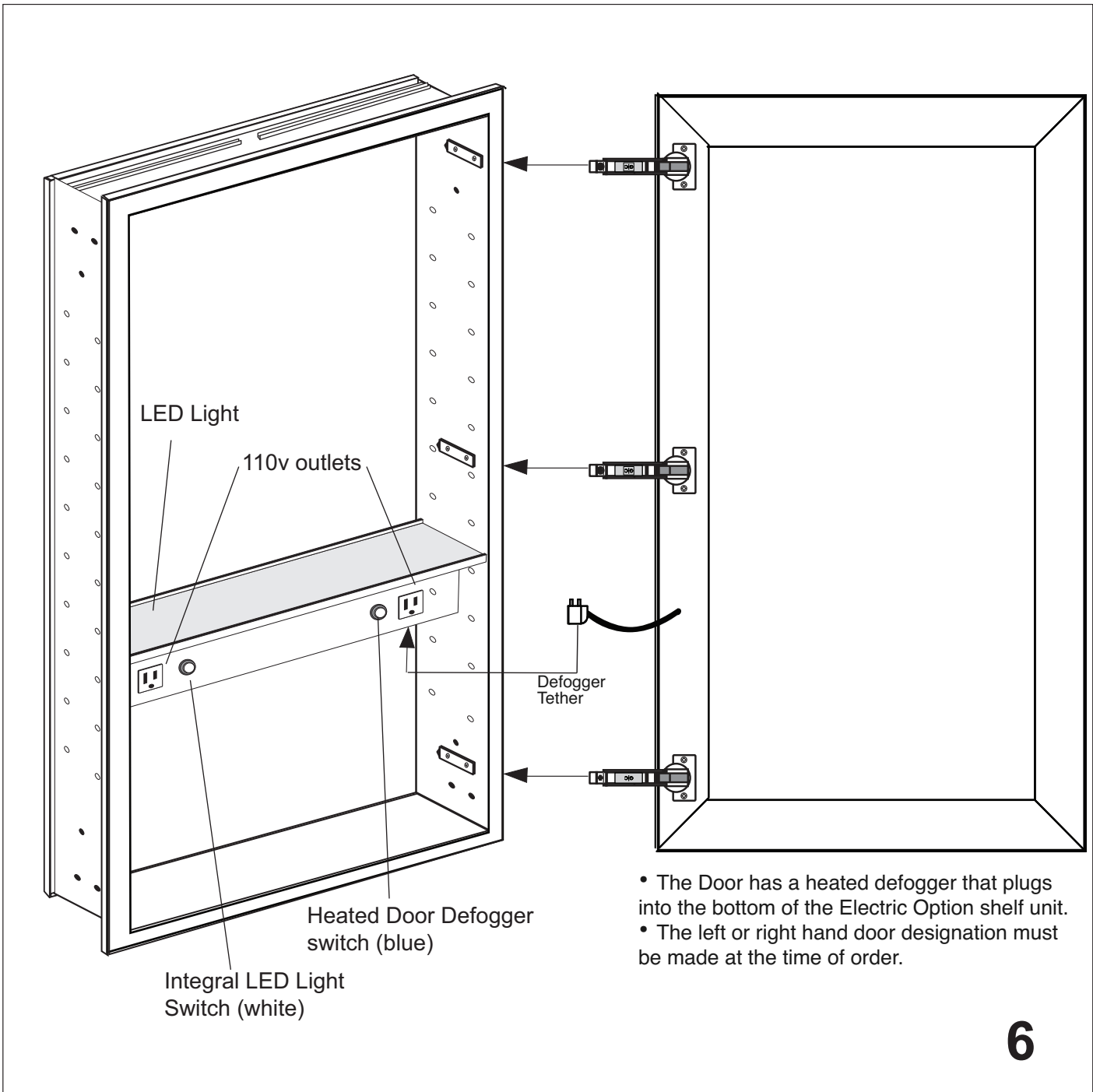
**3) Locate studs and drill holes in wall bracket at stud locations**

(If studs are not in correct location for support, drill and install wall anchors.)

**2) Mark pencil line for base of cabinet**

**1) Keep minimum of 1" clear above faucet**





White Opal Acrylic shelf is packed separately and must be placed in position after installation along with the other shelves provided.

- Be sure the rough wiring is positioned correctly within the rough opening or behind the surface mounted unit.
- Rough wire for this unit should extend a minimum of 20" to make the connections.
- See diagram EL1 for the access points.

## Side Mirror Kit Installation

For surface mounted 4" and 6" Mirrored Cabinets and 6" semi-recessed Mirrored Cabinets.

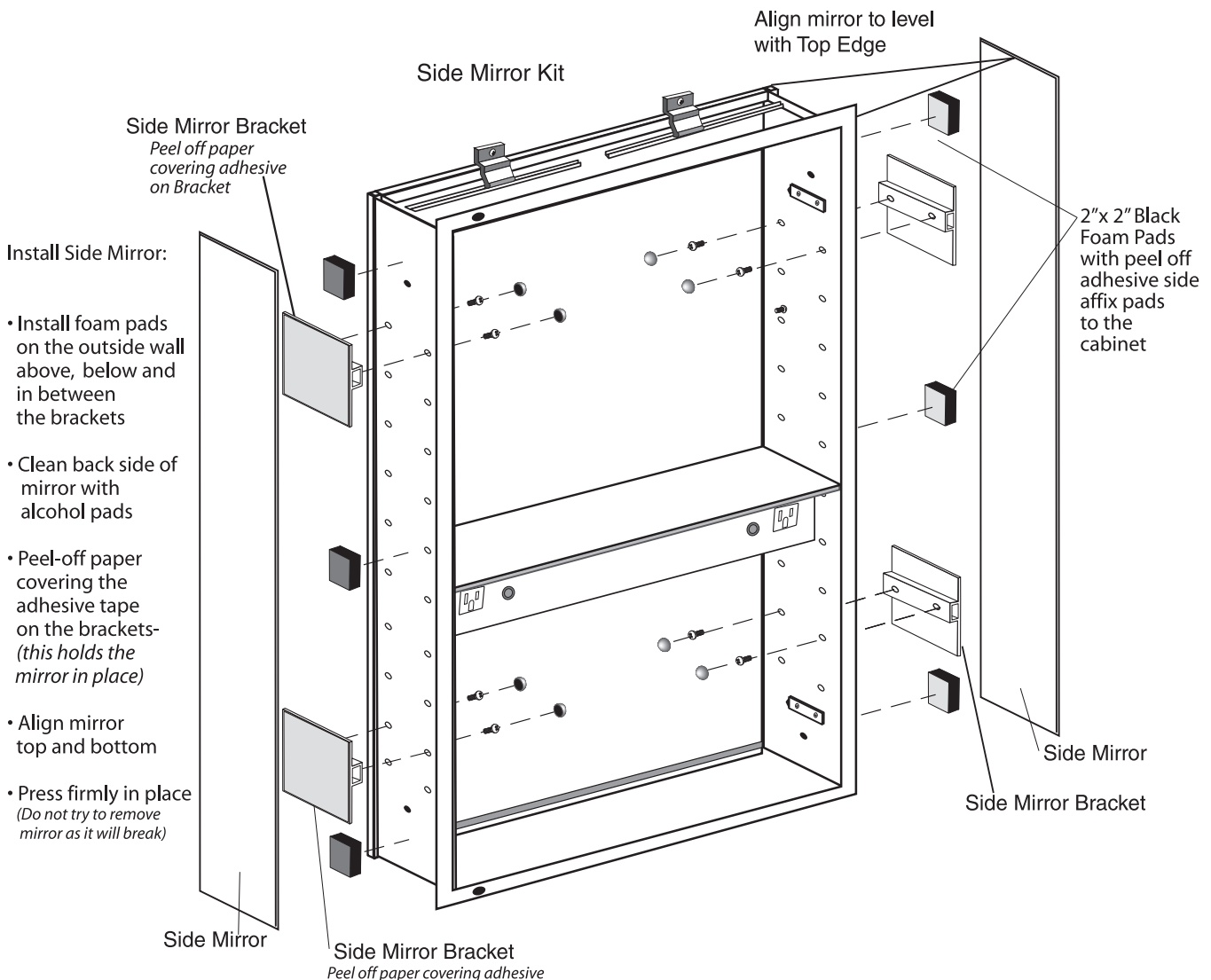
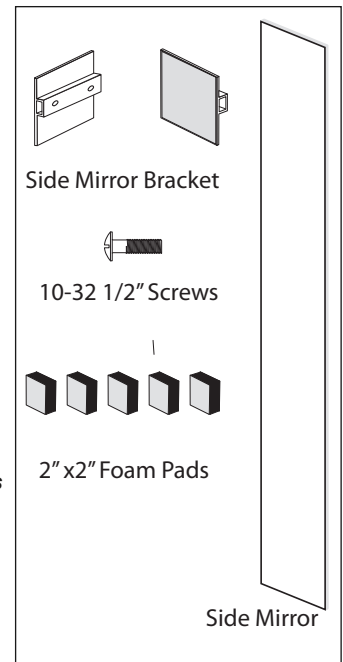
- 1) Attach the side mirror kit brackets thru the pre-punched holes in your cabinet.
- 2) Try to use the first row of holes from the top and bottom of your cabinet. Using the eight 10-32 x 1/2" screws fasten the brackets and finish with screw caps.
- 3) Attach the 2" x 2" foam pads to the outside cabinet wall above, below and in between the position of the brackets.
- 4) Clean the backside of the side mirror kit panel with the Alcohol pads. Check alignment before you attach the mirror to be sure it will align even with the top of the cabinet.
- 5) Peel off paper covering of the adhesive tape on the side kit brackets pads. (*This holds the mirror in place*). Carefully align the mirror to the cabinet evenly on all four sides. Press firmly into place and attach the side kit mirror to the cabinet body.

(Note: Once installed, do not try to remove the mirror as it will break.)

### Side Mirror Kit parts list:

- 2 Mirror side panels to match the model height ordered
- 4 Side kit brackets with adhesive tape
- 6 2"x2" Black Foam Pads with peel off adhesive
- 8 Screws, 10-32 x 1/2"
- 8 Screw Caps ( part # 434-00)
- 2 Alcohol Pads

**To view a video showing helpful tips on how to install mirrored side kits, please go to [GlassCraftersMirroredCabinets.com](http://GlassCraftersMirroredCabinets.com) and navigate to the cabinet product that you are installing. Simply click on the installation tab (located below the product images) to view our installation videos.**



## Glass Shelves Installation

After the Mirrored Cabinet box has been properly installed, determine the appropriate height and location for the glass shelves.

Note: make sure the back wall mirror has been completely cleaned after installation. If cleaning the back wall mirror is necessary, use a household non-ammonia glass cleaner.

### Cleaning Recommendations:

**Never use abrasive cleaners or cleaners containing ammonia. This may cause chemical damage to the mirror and void the warranty.**

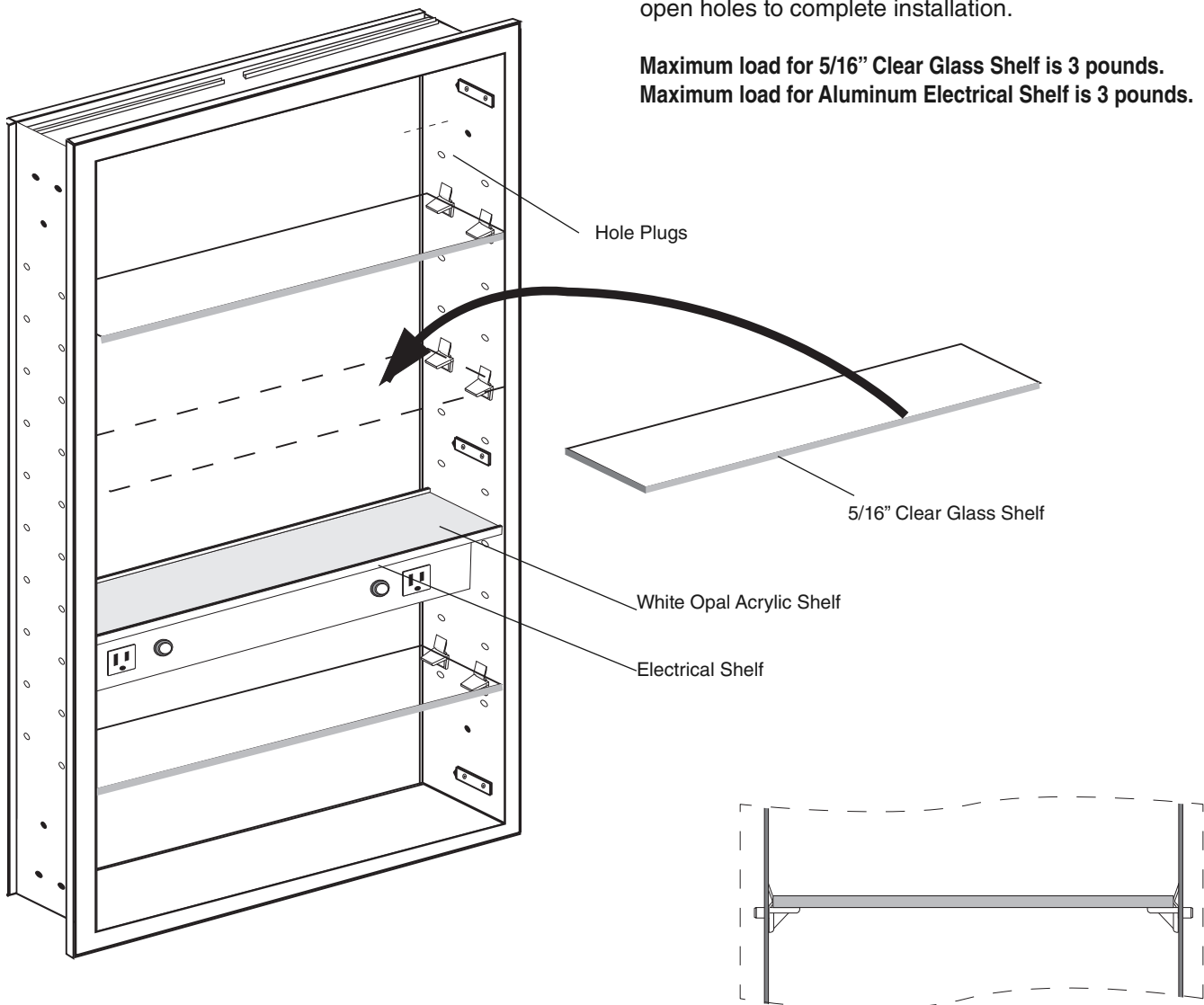
For cleaning the mirror, we recommend using "ammonia free" Sprayway brand glass cleaner, which is available at a variety of retail outlets. [www.spraywayinc.com/content/glass-cleaner](http://www.spraywayinc.com/content/glass-cleaner)



Each glass shelf will require four (4) shelf clips. Use care when handling the non-tempered glass shelves. On a level plane insert the shelf clips into the pre-punched holes. The clips are designed for a tight tension fit to hold the shelf. Place each glass shelf on the top of the left clip first, then slowly lower onto the right clip with a snap fit.

After glass shelves are installed insert hole plugs in all open holes to complete installation.

**Maximum load for 5/16" Clear Glass Shelf is 3 pounds.  
Maximum load for Aluminum Electrical Shelf is 3 pounds.**



Besides the factory installed Electric Option shelf assembly, the cabinets come with the following:

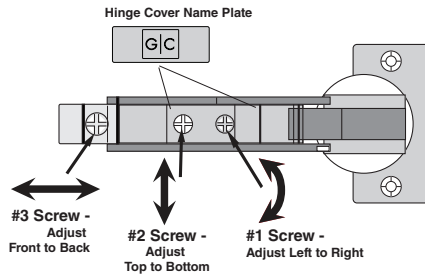
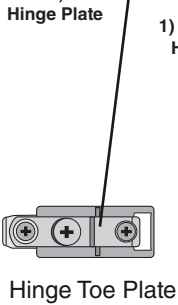
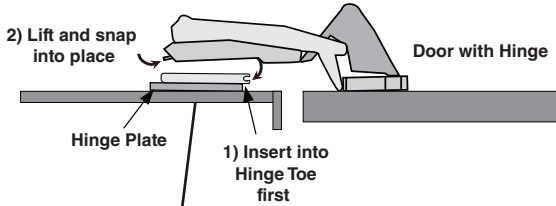
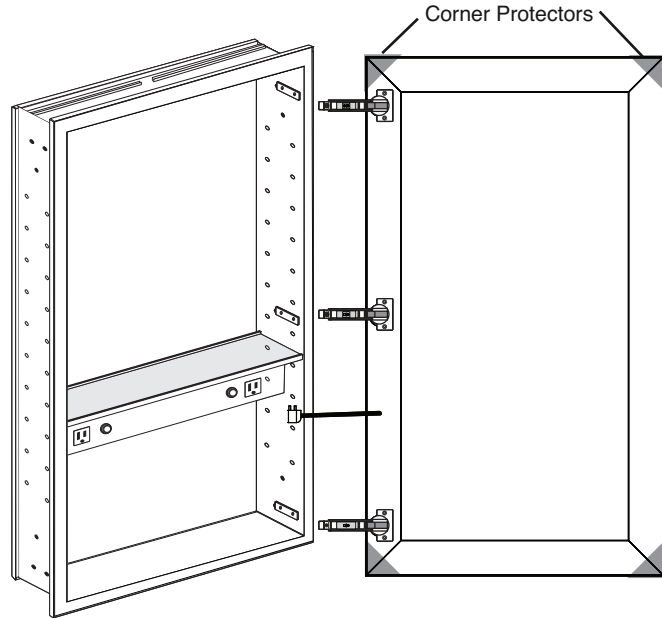
**30" Height Series = 3 Glass Shelves + 12 Shelf Clips**

**36" Height Series = 4 Glass Shelves + 16 Shelf Clips**

## Door Installation

The doors are packed individually for protection of the mirror surfaces. Carefully remove the door from the carton.\* Hold the door in the upright position snap open the factory installed hinges. Place the hinge onto the factory-installed mounting plate in the cabinet -- Toe first -- and snap into position. Be careful not to chip the door mirror.

\*Do not remove corner protectors until the door is installed



### Blum Hinge Adjustment

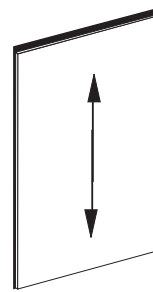
Place Hinge Cover Name Plates on hinges after adjustments are completed.

### Hinge Plate\* Factory Installed.

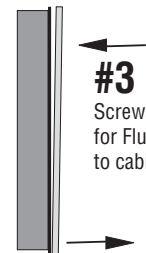
\*If the door binds and does not fully close, adjust the Hinge Plate on the cabinet up and down, to relieve the tension



**#1**  
Screws adjust for Fit alignment left and right to cabinet face

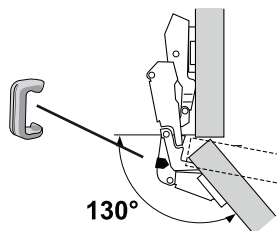
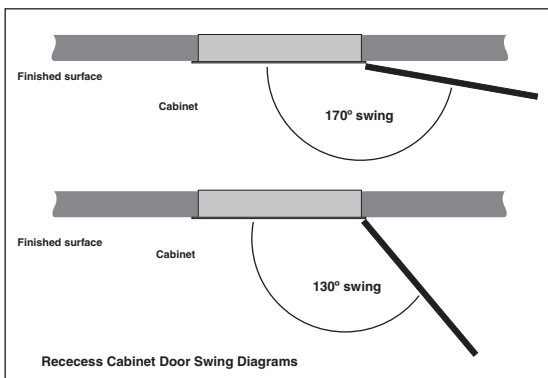


**#2**  
Screws adjust for Fit to Top and Bottom to cabinet face



**#3**  
Screws adjust for Flush Fit to cabinet face

To view a video showing helpful tips on how to adjust our cabinet hinges, please go to [GlassCraftersMirroredCabinets.com](http://GlassCraftersMirroredCabinets.com) and navigate to the cabinet product that you are installing. Simply click on the installation tab (located below the product images) to view our installation videos.



### Limit Clips

Limit Clips are provided should you need to reduce the opening swing of the cabinet door from 170 degrees to 130 degrees (see top view) This will eliminate the possibility of the door hitting a wall sconce or other decorative items.

## Master Parts List for Mirrored Cabinet Electric Option

**All Electric Option cabinets are available with any frameless or framed mirror door options.  
See our catalog for designs, colors and options.**

All Mirrored Cabinets with the Electric option come with a handed door available with left or right sided hinges.  
( Add "EL" or "ER" to the model code.)

	Qty.	Part Number	Qty.	
		<b>Model: GC-1630-4"</b>		<b>Model: GC-1636-4"</b>
		<b>Model: GC-1630-6"</b>		<b>Model: GC-1636-6"</b>
Cabinet 4" Cabinet Electric Option	1	GC1630-4-Cab-E (R or L)	1	GC1636-4-Cab-E (R or L)
Cabinet 6" Cabinet Electric Option	1	GC1630-6-Cab-E (R or L)	1	GC1636-6-Cab-E (R or L)
Door - Boxed Separately	1	GC1630-D	1	GC1636-D
Plastic Wall Anchor	5	# 10 PWA	5	# 10 PWA
Wall Anchor Screws	5	# 10 x 1 1/2 Phillips	5	# 10 x 1 1/2 Phillips
Bottom Surface Wall Mount Bracket	1	414-03	1	414-03
Top Surface Mount Brackets	2	425-00	2	425-00
Screw Caps	12	434-00	12	434-00
Shelf Clips	12	439-01	16	439-01
Hole Plugs	40	433-00	40	433-00
*Cabinet Connectors 4" Cabinet	2	426-00	4	426-00
*Cabinet Connectors 6" Cabinet	2	429-00	4	429-00
Cabinet Connector Mounting Screws	8	18-855 10/32" x 1/2"	8	18-855 10-32 x 1/2"
Glass Shelves 4" Cabinet	3	417-01-A 3 7/16" x 13 1/4" x 5/16"	4	417-01-A 3 7/16" x 13 1/4" x 5/16"
Glass Shelves 6" Cabinet	3	417-06-A 5 7/16" X 13 1/4" X 5/16"	4	417-06-A 5 7/16" X 13 1/4" X 5/16"
Hinge Cover Name Plates	2	904-00	3	904-00
130 Degree Limit Clips	2	901-00	3	901-00
Soft Close Cushion	2	900-00	2	900-00
3X Magnification Mirror	1	950-01	1	950-01

\*Cabinet Connectors -- Special Order

\*\*Right handed or Left Handed door must be ordered. Add "ER" or "EL" to the Model Code on this product.  
See the Price Sheet for Model Code Directions.

For Side Mirror Kits used in Surface and Semi Recessed mounts, see our catalog for model number and order information.

### Cleaning Recommendations:

**Never use abrasive cleaners or cleaners containing ammonia. This may cause chemical damage to the mirror and void the warranty.**

For cleaning the mirror, we recommend using ammonia free Sprayway brand glass cleaner, which is available at a variety of retail outlets.

[www.spraywayinc.com/content/glass-cleaner](http://www.spraywayinc.com/content/glass-cleaner)



This installation manual serves the complete line of GlassCrafters' Mirrored Cabinet Electric Option including all 4" deep and 6" deep models. The general parts list pictured on page 2 shows single images of all parts. To completely inventory the material delivered for your particular model please check the quantities indicated in the part list here and on page 15.

## Master Parts List for Mirrored Cabinet Electric Option

<b>Model: GC-2030-4"</b>			<b>Model: GC-2036-4"</b>		
<b>Model: GC-2030-6"</b>			<b>Model: GC-2036-6"</b>		
	Qty.	Part Number	Qty.		Qty.
Cabinet 4" Cabinet Electric Option	1	GC2030-4-Cab-E (R or L)	1	GC2036-4-Cab-E (R or L)	
Cabinet 6" Cabinet Electric Option	1	GC2030-6-Cab-E (R or L)	1	GC2036-6-Cab-E (R or L)	
Door - Boxed Separately	1	GC2030-D	1	GC2036-D	
Plastic Wall Anchor	5	# 10 PWA	5	#10 PWA	
Wall Anchor Screws	5	# 10 x 1 1/2 Phillips	5	# 10 x 1 1/2 Phillips	
Bottom Surface Wall Mount Bracket	1	414-03	1	414-03	
Top Surface Mount Brackets	2	425-00	2	425-00	
Screw Caps	12	434-00	12	434-00	
Shelf Clips	12	439-01	16	439-01	
Hole Plugs	40	433-00	40	433-00	
*Cabinet Connectors 4" Cabinet	2	426-00	2	426-00	
*Cabinet Connectors 6" Cabinet	2	429-00	2	429-00	
Cabinet Connector Mounting Screws	8	18-855 10/32" x 1/2"	8	18-855 10/32" x 1/2"	
Glass Shelves 4" Cabinet	3	417-02-A 3 7/16" x 17 1/4" x 5/16"	4	417-02-A 3 7/16" x 17 1/4" x 5/16"	
Glass Shelves 6" Cabinet	3	417-07-A 5 7/16" x 17 31/4" x 5/16"	4	417-07-A 5 7/16" x 17 1/4" x 5/16"	
Hinge Cover Name Plates	2	904-00	3	904-00	
130 Degree Limit Clips	2	901-00	3	901-00	
Soft Close Cushion	2	900-00	2	900-00	
3X Magnification Mirror	1	950-01	1	950-01	

<b>Model: GC-2430-4"</b>			<b>Model: GC-2436-4"</b>		
<b>Model: GC-2430-6"</b>			<b>Model: GC-2436-6"</b>		
	Qty.	Part Number	Qty.		Qty.
Cabinet 4" Cabinet Electric Option	1	GC2430-4-Cab-E (R or L)	1	GC2436-4-Cab-E (R or L)	
Cabinet 6" Cabinet Electric Option	1	GC2430-6-Cab-E (R or L)	1	GC2436-6-Cab-E (R or L)	
Door - Boxed Separately	1	GC2430-D	1	GC2436-D	
Plastic Wall Anchor	5	# 10 PWA	5	# 10 PWA	
Wall Anchor Screws	5	# 10 x 1 1/2 Phillips	5	# 10 x 1 1/2 Phillips	
Bottom Surface Wall Mount Bracket	1	414-03	1	414-03	
Top Surface Mount Brackets	2	425-00	2	425-00	
Screw Caps	12	434-00	12	434-00	
Shelf Clips	12	439-01	16	439-01	
Hole Plugs	40	433-00	40	433-00	
*Cabinet Connectors 4" Cabinet	2	426-00	2	426-00	
*Cabinet Connectors 6" Cabinet	2	429-00	2	429-00	
Cabinet Connector Mounting Screws	8	18-855 10/32" x 1/2"	8	18-855 10/32" x 1/2"	
Glass Shelves 4" Cabinet	3	417-03-A 3 7/16" x 21 1/4" x 5/16"	4	417-03-A 3 7/16" x 21 1/4" x 5/16"	
Glass Shelves 6" Cabinet	3	417-08-A 5 7/16" x 21 1/4" x 5/16"	4	417-08-A 5 7/16" x 21 1/4" x 5/16"	
Hinge Cover Name Plates	2	904-00	3	904-00	
130 Degree Limit Clips	2	901-00	3	901-00	
Soft Close Cushion	2	900-00	2	900-00	
3X Magnification Mirror	1	950-01	1	950-01	

\*Cabinet Connectors -- Special Order

\*\*Right handed or Left Handed door must be ordered Add "ER" or "EL" to the Model Code on this product.

See the Price Sheet for Model Code Directions.

**SAVE THESE INSTRUCTIONS  
FOR FUTURE REFERENCE**

**To insure proper installation in complete compliance with your warranty, we recommend installation by a professional installer.**

**WARNING**

**All GLASSCRAFTERS Electric Option Cabinets must be wired to a Class A 120V AC 20 Amp GFCI circuit breaker (Ground Fault Circuit Interrupter) when used in bathrooms and all other locations required by the National Electric Code.**

**Patent -- [www.glasscraftersincpatents.com](http://www.glasscraftersincpatents.com)**

**WARRANTY**

GlassCrafters, Inc. offers a Limited 3 Year Warranty on all mirrored cabinet products. GlassCrafters' warranty provides the original purchaser a guarantee that it will replace or at its own discretion repair products shown to have substantial defects in workmanship or materials. These claims must be filed with your dealer or professional installer and forwarded in writing to GlassCrafters within three years of the delivery date to the end user of the product. GlassCrafters shall not be responsible for any installation or removal costs. This warranty does not apply to the following, chemical or natural corrosion of the mirror. The use of abrasive cleaners or cleaners containing ammonia will cause chemical damage to the mirror, voiding this warranty.

The GlassCrafters warranty does not cover product that is damaged in shipping, accidents in handling during installation or if the reported defects are a result of faulty installation, abuse, misuse, abnormal wear, poor maintenance, accident or repairs by service personnel other than the original professional installer as authorized by GlassCrafters. After the three year period GlassCrafters shall not have any further obligation, expressed or implied including merchantability under the Limited Warranty.

Blum hinges and soft closing cushions have a separate lifetime warranty from Blum, Inc. This warranty is against defects in materials and workmanship as long as the original consumer owns the product. This is a warranty of replacement. After verification of defect, Blum, Inc. will send replacement hardware without charge.

GlassCrafters shall not have any liability for any consequential damages stemming from or in connection with the use per performance of this product. Prevailing state law on the limits of the implied warranty will apply.

The liability of GlassCrafters under any implied or expressed warranty, including merchantability, is expressly limited to the terms of this warranty. Any claim under this warranty must be made directly to the dealer of record.

Permission to return any merchandise under this warranty must be authorized in writing by GlassCrafters and must include prepaid shipping by the purchaser.



GLASSCRAFTERS, INC  
193 Veterans Blvd., Carlstadt, NJ 07072

1+(800) 233-7362 (F) 1+(888) 233-7362  
[sales@glasscraftersinc.com](mailto:sales@glasscraftersinc.com)