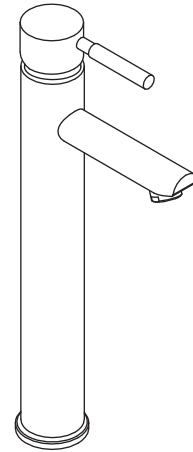


INSTALLATION INSTRUCTIONS

FFT1041BN

Single hole faucet


FRESCA®



Important

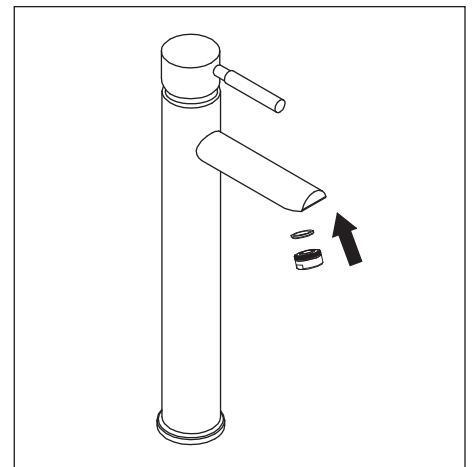
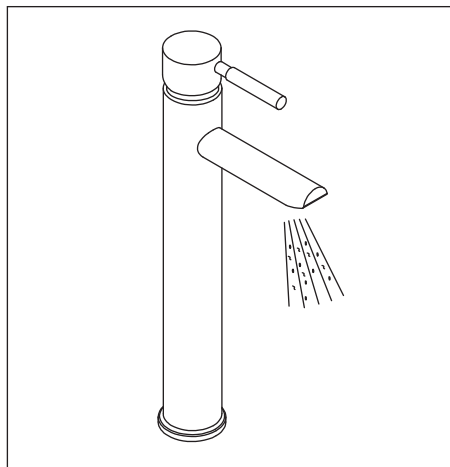
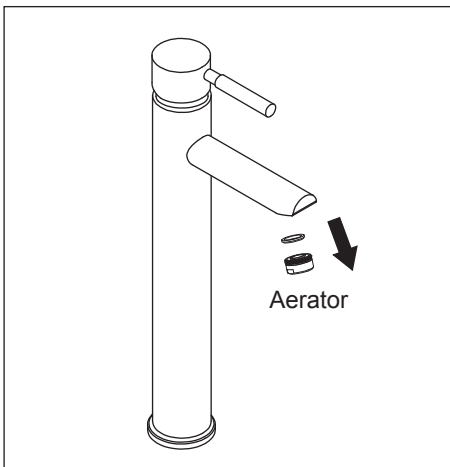
We recommend that this product is installed by a qualified professional contractor.

- Please check this product immediately to ensure that it has not been damaged and is complete.
- Please flush the water system to ensure that no debris or any other impurities can enter the taps.
- Turn off water supply before commencing work.
- Please read these instructions carefully and keep for future reference.

Cleaning

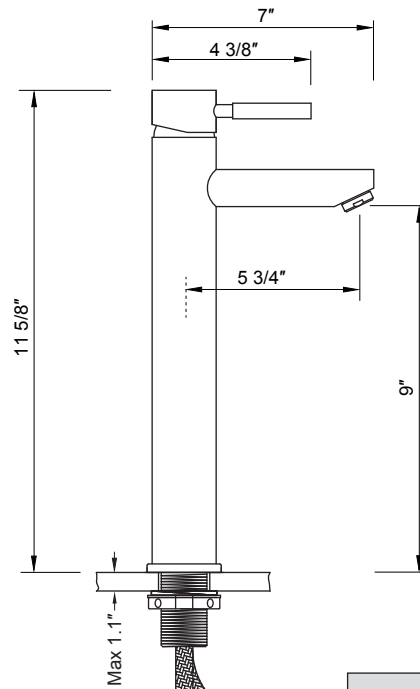
Before use: Unscrew the Aerator and allow the water to run freely for 5 minutes. Then screw the filter back in place.

Periodically: Unscrew the Aerator and remove. Rinse it with running water until any loose debris is cleared. Then replace the Aerator and tighten.

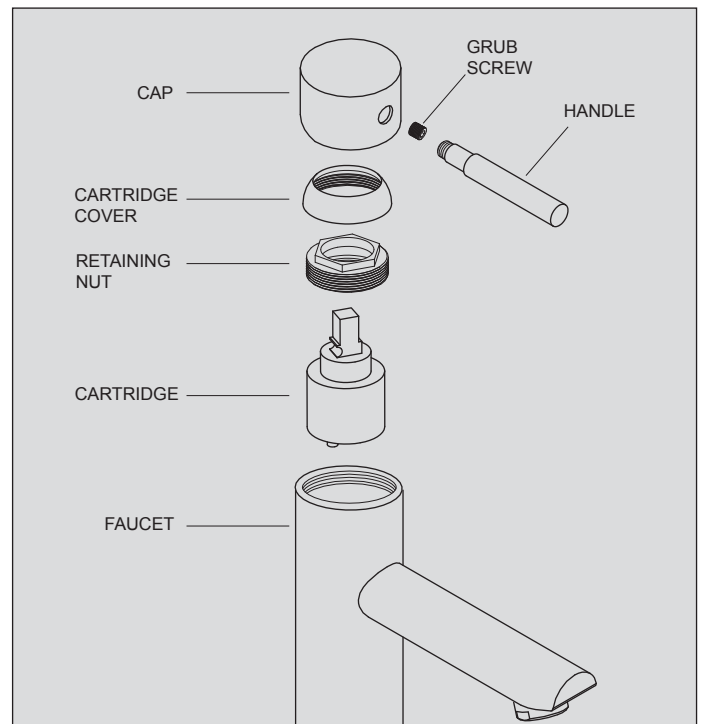
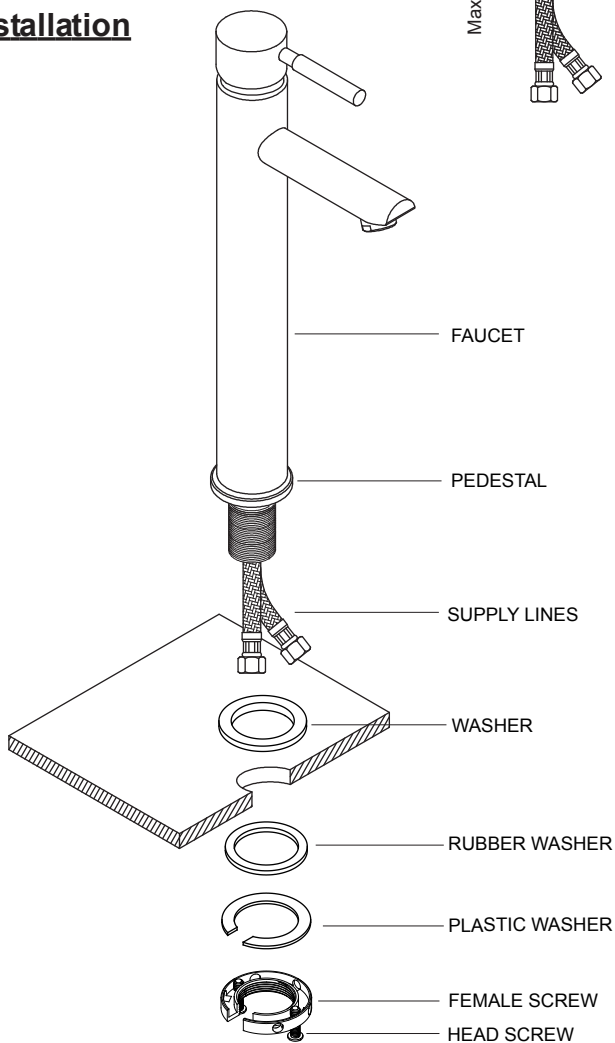


Dimensions

Unit: inches



Installation



To remove the cartridge.

⚠ First shut off the water supply to the tap.

- 1: Unscrew the handle from the cap.
- 2: Loosen the grub screw in cap.
- 3: Take off the cap, unscrew the cartridge cover.
- 4: Unscrew the retaining nut.
- 5: Pull the cartridge and wash it with clean running water.
- 6: Dry and lightly grease the seals (only use silicone grease)

- 1: Fit the washer into the underside of the faucet.
- 2: Screw the supply lines into the faucet and fully hand tighten.
- 3: Pass the tail of supply lines through the hole on the basin from above, and place the faucet in position on the basin, to see if any alteration to the existing supply pipe work is necessary, make any necessary alterations to the pipe work.
- 4: Tighten the rubber washer, the plastic washer with the female screw from the underside of the counter.
- 5: Check that the faucet is correctly positioned, fully tighten the female screw.
- 6: Connect the water supply pipes to the tail of supply lines with the hot water and cold water.

This faucet meets or exceeds the following standards:

ASME A112.18.1/CSA B125.1/NSF61-9

This product has been tested and certified by IAPMO.



IAPMO LISTED