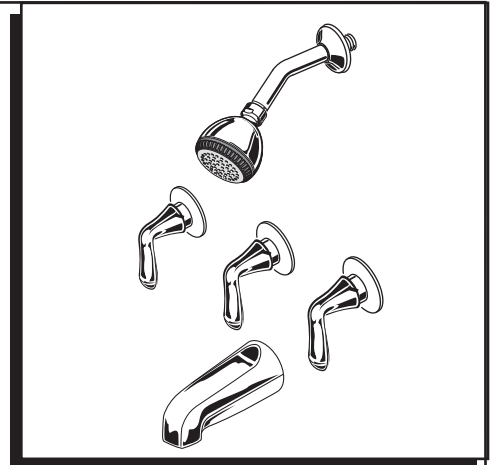


American Standard

Installation Instructions

COLONY SOFT THREE HANDLE BATH/SHOWER SETS

3375



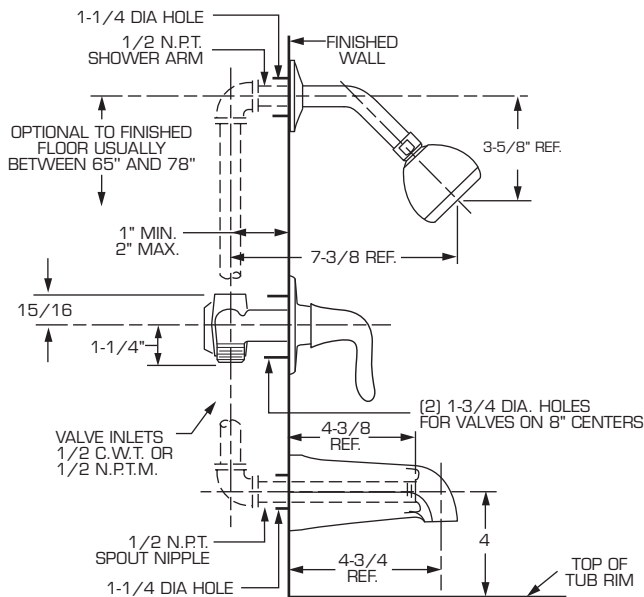
Certified to comply with ANSI A112.18.1M
U.S. PATENT NO. D269,696
M968755 Rev.1.3 (4/15)

Thank you for selecting American-Standard...the benchmark of fine quality for over 100 years.

To ensure that your installation proceeds smoothly—please read these instructions carefully before you begin.

ROUGHING-IN DIMENSIONS

NOTE: NO CONCEALED PIPING FURNISHED



CARE INSTRUCTIONS:

DO: SIMPLY RINSE THE PRODUCT CLEAN WITH CLEAR WATER. DRY WITH A SOFT COTTON FLANNEL CLOTH.

DO NOT: CLEAN THE PRODUCT WITH SOAPS, ACID, POLISH, ABRASIVES, HARSH CLEANERS, OR A CLOTH WITH A COARSE SURFACE.

HOTLINE FOR HELP NUMERO DE EMERGENCIA ASSISTANCE TÉLÉPHONIQUE



For toll-free information and answers to your questions, call:
Para información y respuestas a sus preguntas, llame sin costo al:
Pour information et réponses à vos questions, composer sans frais:

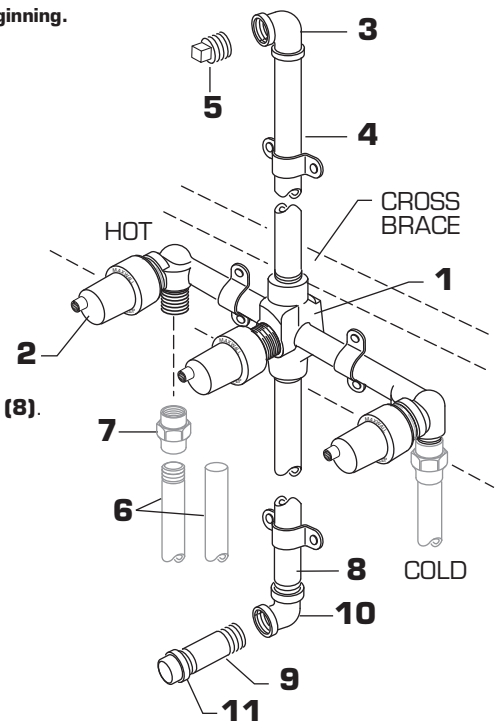
1 800 442-1902
Weekdays Días laborales de las Sur semaine:
8:00 to 6:00 p.m. EST
CANADA 1-800-387-0369 (TORONTO 1-905-306-1093)
Weekdays Días laborales de las Sur semaine:
8:00 to 7:00 p.m. EST

Product names listed herein are trademarks of American Standard Inc.
© AS America, Inc. 2008

1 ROUGHING-IN FITTING CAUTION Turn off hot and cold water supplies before beginning.

IMPORTANT: DO NOT REMOVE PLASTER GUARDS (2) UNTIL STEP 2.

- Prepare water supplies per Roughing-in Dimensions.
- Install VALVE (1) at indicated height and depth.
- Install SUPPLY PIPES (6). They can be threaded or sweated. (Union (7) not included).
IMPORTANT: REMOVE ALL VALVES BEFORE SWEATING SUPPLY PIPING TO VALVE BODY.
- Secure VALVE BODY (1) to cross brace of wall structure.
- Prepare SHOWER RISER (4) and ELBOW (3). Connect to TOP outlet, marked "SHR" of VALVE BODY (1).
- Prepare TUB FILLER PIPE (8), ELBOW (10) and roughing-in NIPPLE (9). Connect to BOTTOM outlet of VALVE BODY (1).
- Add cross braces to wall structure and secure SHOWER RISER (4) and TUB FILER PIPE (8).
- Cap (11) NIPPLE (9) and PLUG (5) ELBOW (3), with valves closed open supply lines and check for leaks. Open both VALVES and check for leaks.
- Close both valves and turn off water supplies. Finish wall construction.

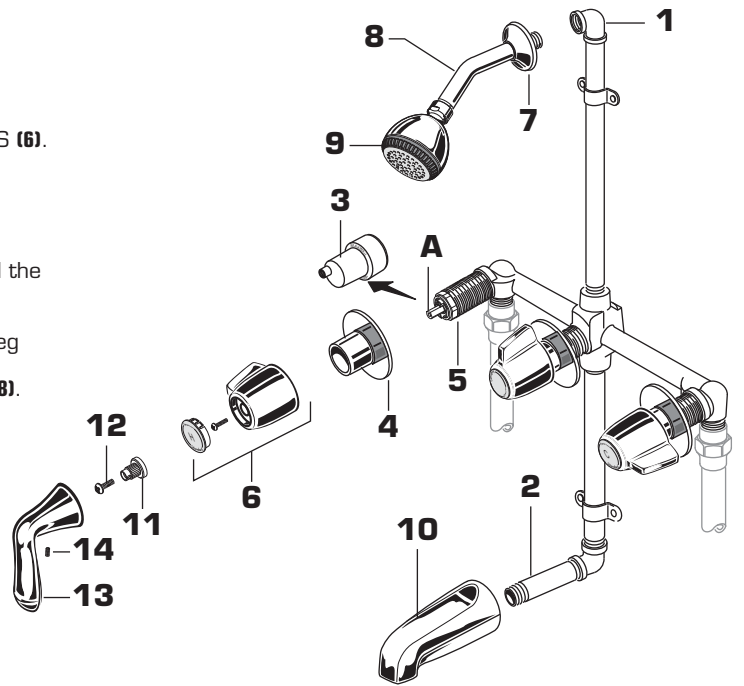


2 FINISHING INSTALLATION

- Unplug ELBOW (1) and uncap NIPPLE (2).
- Remove PLASTER GUARDS (3).
- Thread ESCUTCHEONS (4) onto VALVES (5) and install HANDLES (6).

To install LEVER HANDLES

- Turn HANDLE STEM (A) to "OFF" position.
 - Place the HANDLE ADAPTER (11) on the HANDLE STEM (A).
 - Install the ADAPTER SCREW (12) and tighten securely.
 - Position LEVER HANDLE (13) and place on ADAPTER (11). Install the HANDLE SET SCREW (14) and tighten securely.
- Assemble FLANGE (7) onto SHOWER ARM (8). Connect LONG leg of SHOWER ARM (8) to RISER ELBOW (1).
 - Assemble SHOWER HEAD (9) to SHORT leg of SHOWER ARM (8).
 - Assemble TUB SPOUT (10) to NIPPLE (2).



3 TEST INSTALLED FITTING

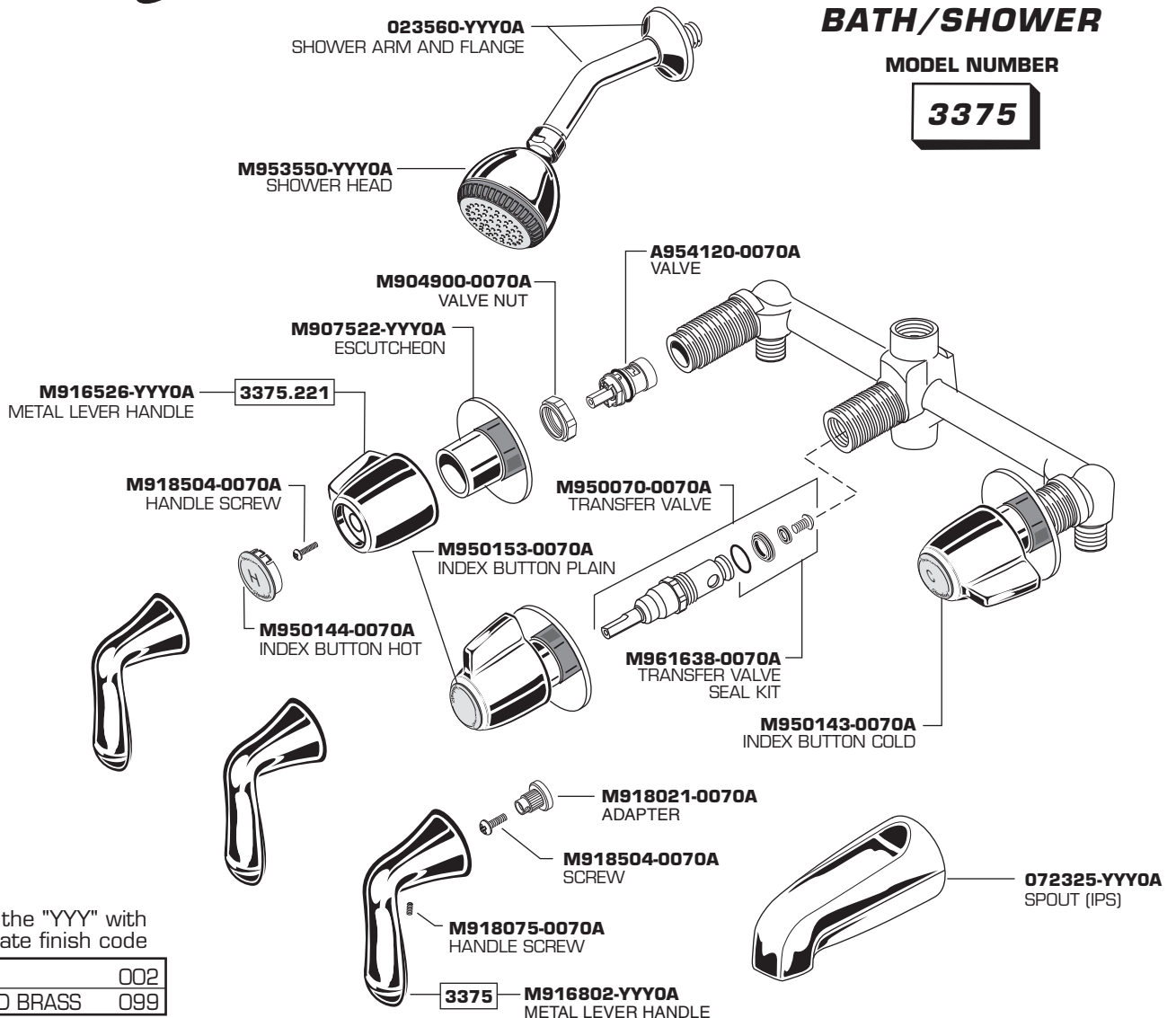
- Turn HANDLES to OFF position.
- Turn on water supplies and check for leaks.
- Operate both HANDLES to flush water lines thoroughly and check TUB SPOUT for leaks.
- Operate DIVERTER VALVE and check all SHOWER HEAD connections for leaks.

American Standard

COLONY SOFT THREE HANDLE BATH/SHOWER

MODEL NUMBER

3375



Replace the "YYY" with appropriate finish code

CHROME	002
POLISHED BRASS	099