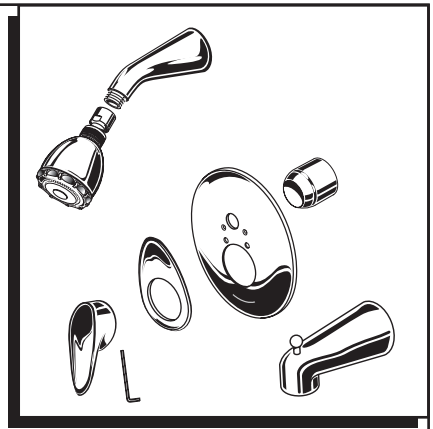


American Standard

CERAMIX™

BATH/SHOWER TRIM KIT

Installation Instructions T00050X



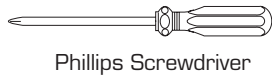
Certified to comply with ANSI A112.18.1

Thank you for selecting American Standard...the benchmark of fine quality for over 100 years.

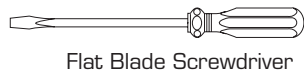
To ensure that your installation proceeds smoothly—please read these instructions carefully before you begin.

M968739 Rev. 1.2

Required Tools



Phillips Screwdriver



Flat Blade Screwdriver



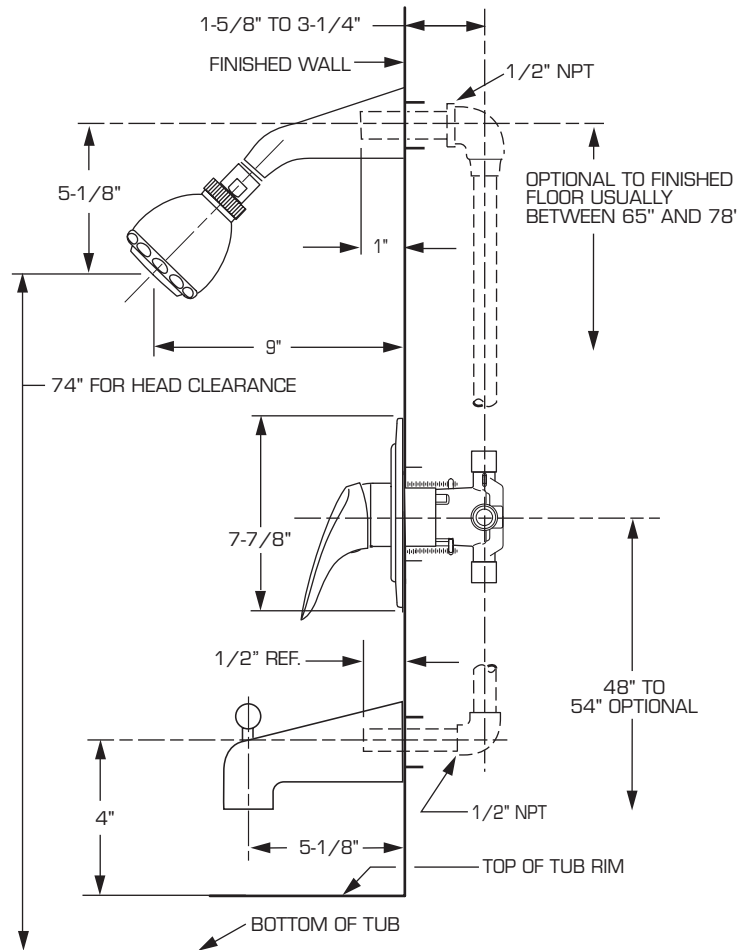
Adjustable Wrench



*Hex key (Supplied with Fitting)

ROUGHING-IN DIMENSIONS

- To assure proper positioning in relation to wall, note roughing-in dimensions.

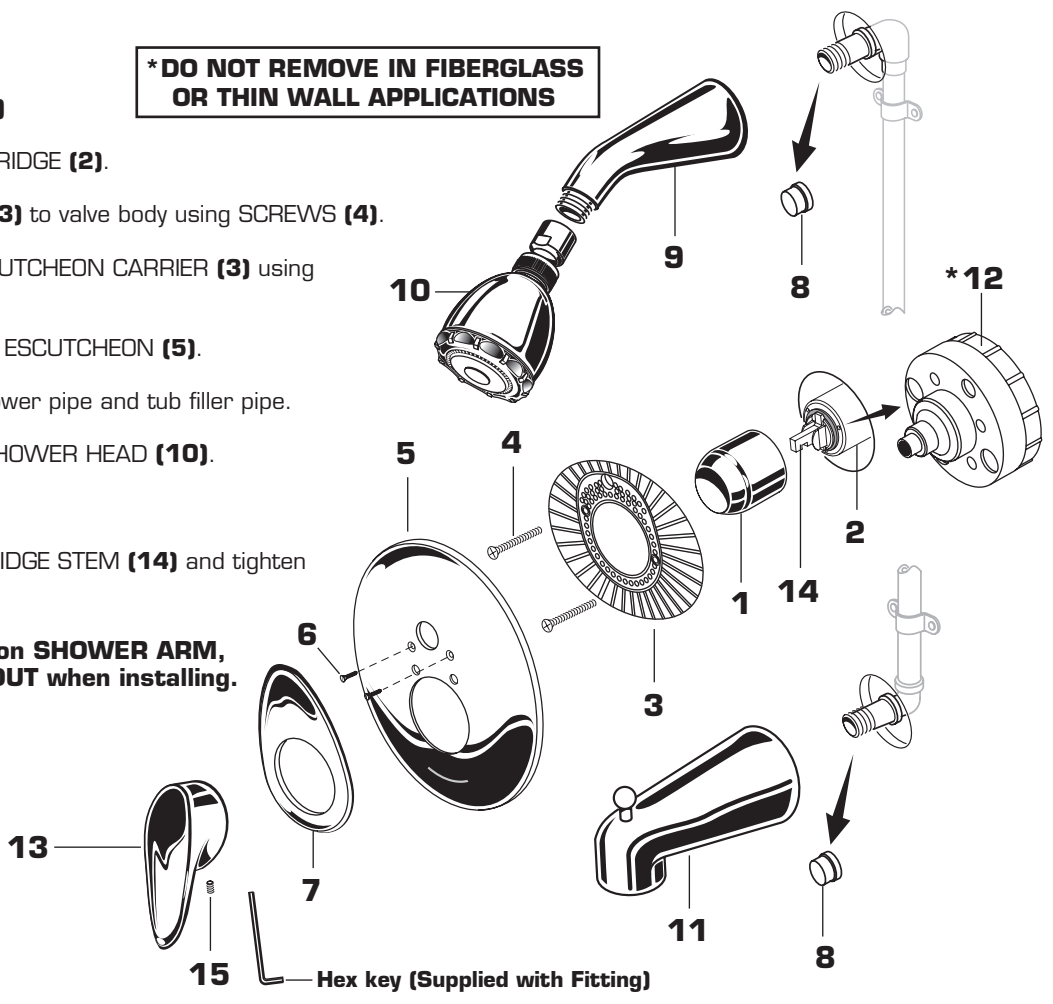


1 INSTALL TRIM

*** DO NOT REMOVE IN FIBERGLASS OR THIN WALL APPLICATIONS**

- Remove PLASTER GUARD *(12)
- Push CAP (1) over VALVE CARTRIDGE (2).
- Mount ESCUTCHEON CARRIER (3) to valve body using SCREWS (4).
- Mount ESCUTCHEON (5) to ESCUTCHEON CARRIER (3) using SCREWS (6).
- Attach DECORATIVE RING (7) to ESCUTCHEON (5).
- Remove PIPE CAPS (8) from shower pipe and tub filler pipe.
- Install SHOWER ARM (9) and SHOWER HEAD (10).
- Install TUB FILLER SPOUT (11).
- Push HANDLE (13) onto CARTRIDGE STEM (14) and tighten SET SCREW (15).

CAUTION: Protect the finish on SHOWER ARM, SHOWER HEAD and TUB SPOUT when installing.

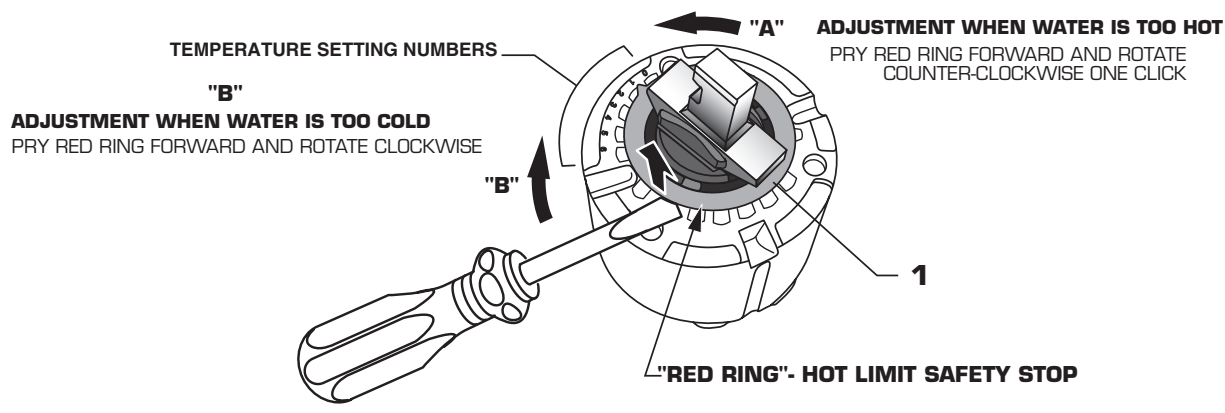


2 ADJUST HOT LIMIT STOP

HOT LIMIT SAFETY STOP ADJUSTMENT

By restricting handle rotation and limiting the amount of hot water allowed to mix with the cold, the HOT LIMIT SAFETY STOP reduces risk of accidental scalding. To set the maximum hot water temperature of your faucets, all you need to do is adjust the setting on the HOT LIMIT SAFETY STOP.

- Use a flat blade screwdriver or your fingers to pull up and rotate red HOT LIMIT SAFETY STOP (1). Follow Step "A" or "B" to adjust min./max. discharge temperature. "0" being the hottest to "7" the coldest temperature setting. Factory set at "0".



3 EverClean™ Finish Care Instructions

American Standard's EverClean finish will wipe clean with a soft, dry cloth. A soft cloth with clean water may also be used, if desired. No additional cleaning products are required.

DO NOT USE: Soaps, acid, polish, abrasives, harsh cleaners, or a cloth with a coarse surface.

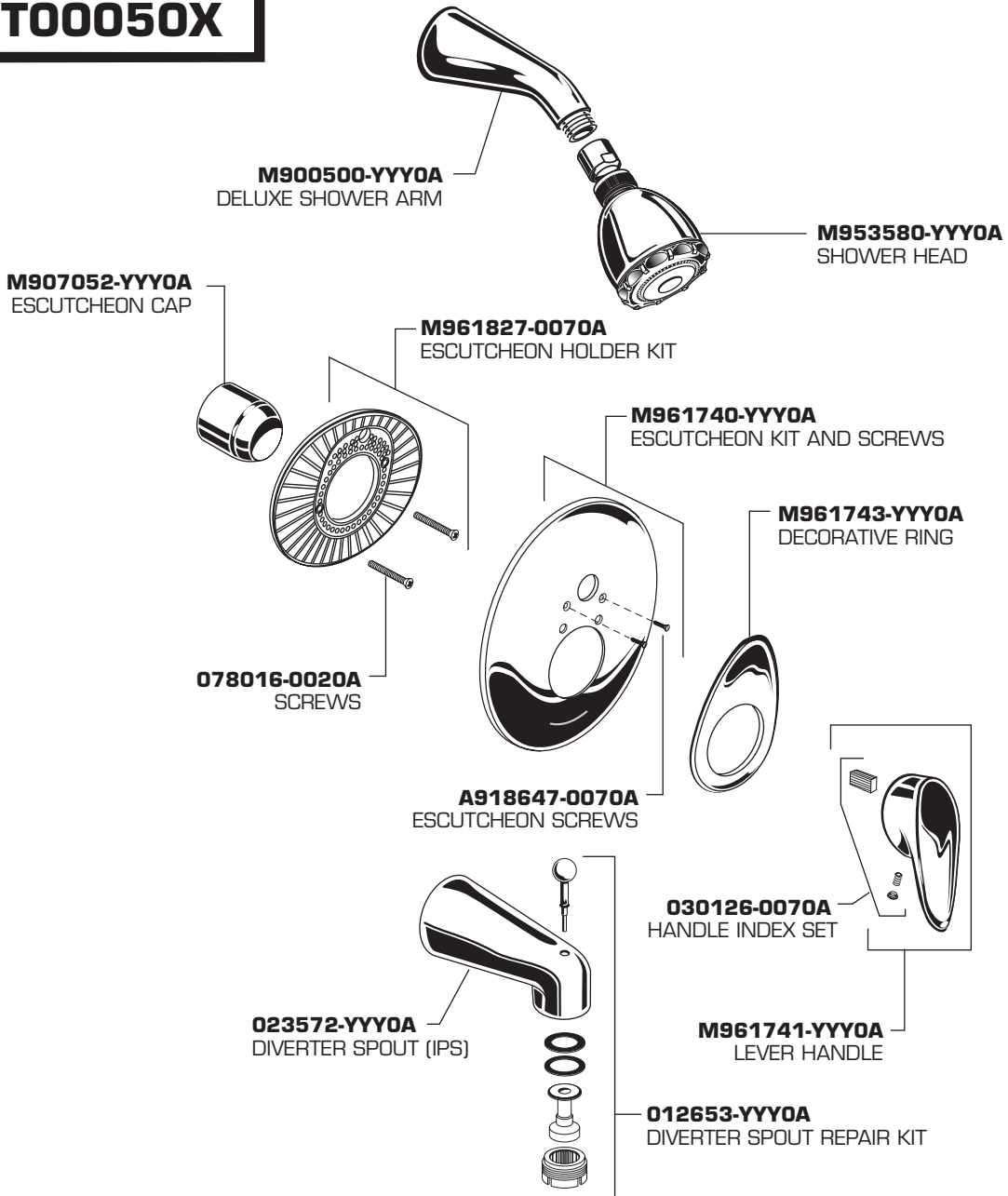
CERAMIX™

American Standard

BATH/SHOWER TRIM

MODEL NUMBER

T00050X



Replace the "YYY" with appropriate finish code

CHROME	002
WHITE	020
BONE	021
WHITE/CHROME	025
BLACK NICKEL/POL. BRASS	062
POLISHED BRASS	099
SATIN	295
SATIN/POL. BRASS	297
CHROME/POL. BRASS	299



HOT LINE FOR HELP
 For toll-free information and answers to your questions, call:
 1 (800) 442-1902
 Weekdays 8:00 a.m. to 6:00 p.m. EST
 IN MEXICO 01-800-839-1200
 IN CANADA 1-800-387-0369 (TORONTO 1-905-306-1093)
 Weekdays 8:00 a.m. to 7:00 p.m. EST

Product names listed herein are trademarks of American Standard Inc.
 © American Standard Inc. 2002

M968739 Rev. 1.2