

American Standard

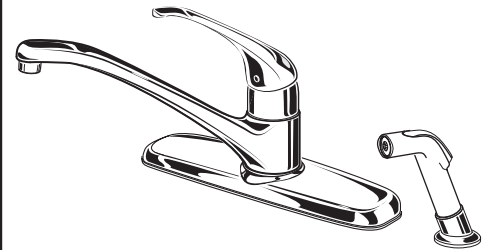
Installation  
Instructions  
4205.000  
4205.001

# Reliant+

## SINGLE CONTROL KITCHEN FAUCETS

Thank you for selecting American-Standard...  
the benchmark of fine quality for over 100 years.

To ensure that your installation proceeds smoothly—  
please read these instructions carefully before you begin.



Certified to comply with ASME A112.18.1M  
M968420 REV. 1.4

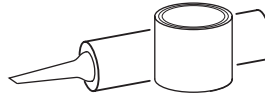
### TOOLS REQUIRED



Channel Locks



Adjustable Wrench



Plumbers' Putty or Caulking

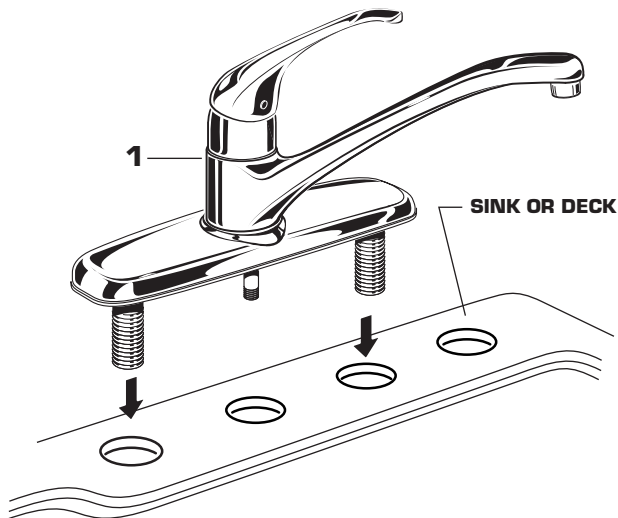


Phillips Screwdriver

## 1 INSTALL FAUCET

**CAUTION** Turn off water at  
main supply.

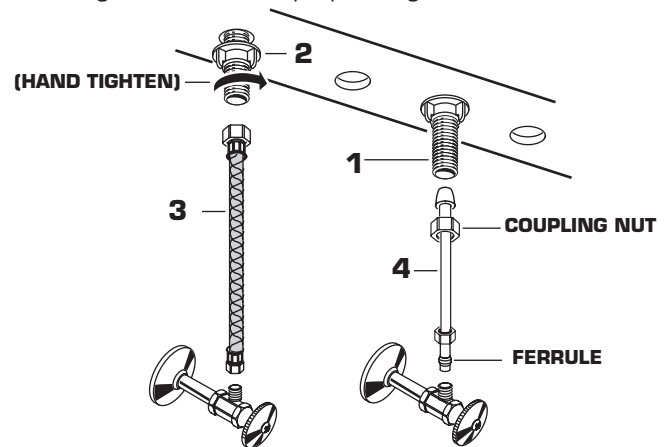
- Install FAUCET (1) on sink. (No sealant is required unless mounting deck on SINK is uneven).



## 2 SECURE FAUCET AND MAKE WATER SUPPLY CONNECTIONS

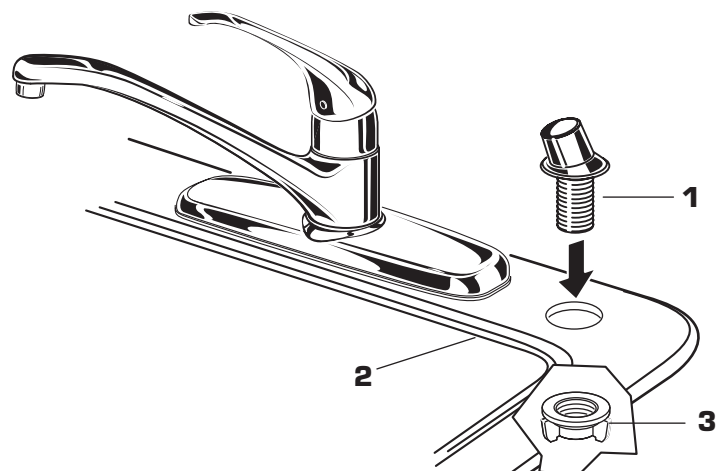
NOTE: FLEXIBLE SUPPLIES (3, 4) HAVE TO BE PURCHASED SEPARATELY

- Secure FAUCET (1) with ATTACHMENT NUTS (2) supplied. (HAND TIGHTEN).
- Connect water supply to FAUCET (1) with 1/2" IPS FLEXIBLE SUPPLIES (3) or 3/8" O.D. BULL-NOSE RISERS (4). Use adjustable wrench to tighten connections. Do not over tighten. Be careful not to kink copper supply when bending. Use tubing cutter to cut to proper length.



## 3 FITTING WITH SPRAY

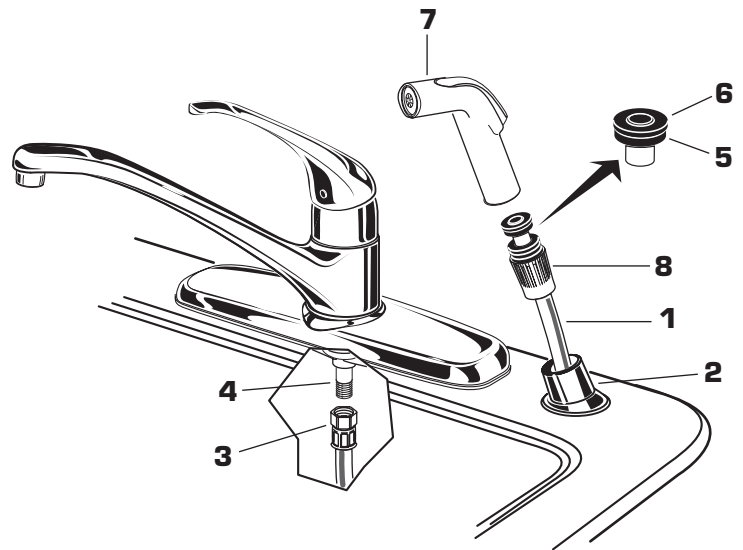
- Place SPRAY HOLDER (1) into separate hole of SINK (2) and assemble NUT (3) onto shank.
- From underside of SINK (2) and hand tighten NUT (3).



## 4

### FITTING WITH SPRAY

- Feed **SPRAY HOSE (1)** through **SPRAY HOLDER (2)** and attach **COUPLING NUT (3)** of **HOSE (1)** to **HOSE ADAPTOR (4)** on valve body. Tighten **COUPLING NUT (3)** firmly.
- Make certain that **SPACER WASHER (5)** and **RUBBER WASHER (6)** are attached to **SPRAY HOSE (1)** and thread **SPRAY HEAD (7)** to **NUT (8)**.



## 5

### TEST INSTALLED FAUCET

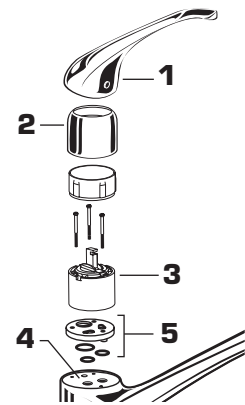
- Remove **AERATOR**. With handles in **OFF** position, turn on water supplies and check all connections for leaks.
- Operate **HANDLE** to flush water lines thoroughly. Rotate **SPOUT** in both directions. Replace **AERATOR**.
- Direct **SPRAY HEAD** into sink and activate **SPRAY**. Check **HOSE** connections for leaks.

## 6

### SERVICE

#### If faucet drips proceed as follows:

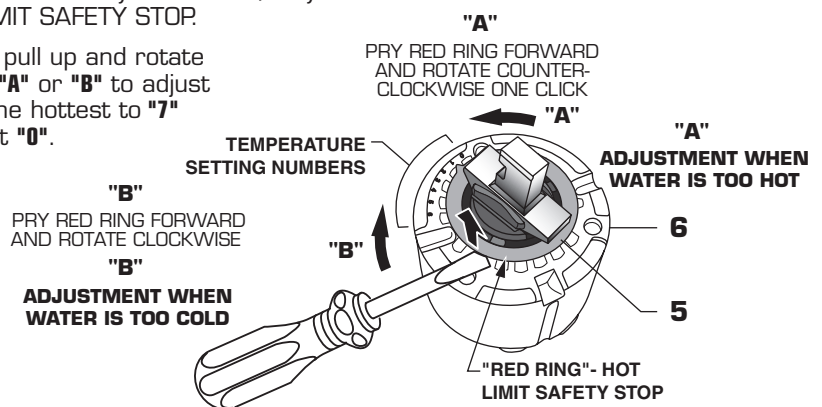
- Turn **VALVE** in **OFF** position.
- If faucet drips, operate handle several times from "off" to "on". Do not apply excessive force.
- Clogged **CARTRIDGE** inlets may cause reduced flow in "full on" hot or cold. To clean inlets, first turn off water supply, then:
- Remove **HANDLE (1)**, **CAP (2)**, **CARTRIDGE (3)**, and **DISC & SEALS (5)**. Clean inlets and **MANIFOLD (4)**. Reassemble **CARTRIDGE (3)**, alternately tightening screws. Replace **CAP** and **HANDLE**. Check flow.



#### HOT LIMIT SAFETY STOP ADJUSTMENT

By restricting handle rotation and limiting the amount of hot water allowed to mix with the cold, the **HOT LIMIT SAFETY STOP** reduces risk of accidental scalding. To set the maximum hot water temperature of your faucets, all you need to do is adjust the setting on the **HOT LIMIT SAFETY STOP**.

- Use a flat blade screwdriver or your fingers to pull up and rotate red **HOT LIMIT SAFETY STOP (5)**. Follow Step "A" or "B" to adjust min./max. discharge temperature. "0" being the hottest to "7" the coldest temperature setting. Factory set at "0".



## 7

### CARE INSTRUCTIONS:

- DO: SIMPLY RINSE THE PRODUCT CLEAN WITH CLEAR WATER. DRY WITH A SOFT COTTON FLANNEL CLOTH.**
- DO NOT: DO NOT CLEAN THE PRODUCT WITH SOAPS, ACID, POLISH, ABRASIVES, HARSH CLEANERS, OR A CLOTH WITH A COARSE SURFACE.**