

**MODEL NUMBER:**

☐ **1662SG.224 Commercial Shower System Kit**

Includes:

• Shower Valve with SS	R120SS
• Colony Soft Shower Only Trim with Showerhead	T675.501.002
• 3-F Hand Shower with Pause Feature	1660.767.002
• In-Line Vacuum Breaker	1660.400.002
• Metal Hose	8888.035.002
• Wall Supply	8888.037.002
• 36" Slide-Grab Bar	1662.236.002
• 3-Way Diverter Valve	R433
• Heritage Diverter Handle	T342.430
• Slip-On Tub Spout	8888.056

**GENERAL DESCRIPTION:**

Complete commercial shower system includes: an R120SS pressure balance valve and trim, a wall supply with 1/2" NPT female inlet and 1/2" NPSM male outlet, a 59" (1500mm) metal shower hose, vacuum breaker, a 3-function hand shower with pause feature, 3-way diverter valve, showerhead, slip-on tub spout and a 36" slide-grab bar.

Valve features a cast brass body, washerless 47mm ceramic disc valve cartridge with volume and temperature control, back-to-back capability, integrated check valves and hot limit safety stop. Pressure balancing cartridge maintains constant output temperature in response to changes in relative hot and cold supply pressure. One-half inch direct sweat inlets and outlets. With screwdriver stops. Rough-in plaster guard designed for use as thin-wall mounting adapter. Durable metal handle. 3-function hand shower with pause feature and 2.5gpm/9.5L/min. flow restrictor. Slide-Grab Bar features an adjustable shower holder which can be set at any height or position along the bar and angle up to 45°.

**PRODUCT FEATURES:**

**VALVE:**

**Cast Brass Valve Body:** Durable.

**Ceramic Disc Valve Cartridge:** Assures a lifetime of drip-free performance. Allows control over water temperature and volume.

**Pressure Balancing Valve Cartridge:** Maintains constant output temperature in response to changes in hot and cold supply pressure. Diaphragm system with integrated check valves engineered to eliminate cross flow.

**Back-to-Back Capability:** Hot and cold can be reversed quickly and easily.

**Adjustable Hot Limit Safety Stop:** Limits the amount of hot water allowed to mix with cold. Reduces the risk of accidental scalding.

**Integral Plaster Guard and Mounting Plate:**

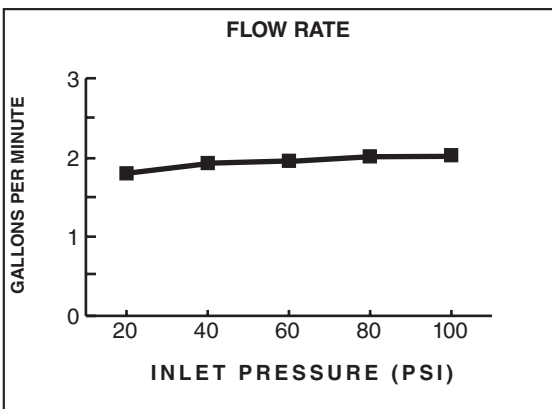
Protects valve during installation and serves as a mounting plate for thin-wall installations.

**PERSONAL SHOWER:**

**ADA-Compliant:** Non-positive shut-off button on handle reduces flow to a trickle.

**SLIDE-GRAB BAR:**

**Stronger Than Standard Slide Bars:** 1-1/2" diameter stainless steel bar meets ANSI standard 250 lb. pull test. Chrome-plated hand shower holder with ADA compliant lever handle.



**SUGGESTED SPECIFICATION:**

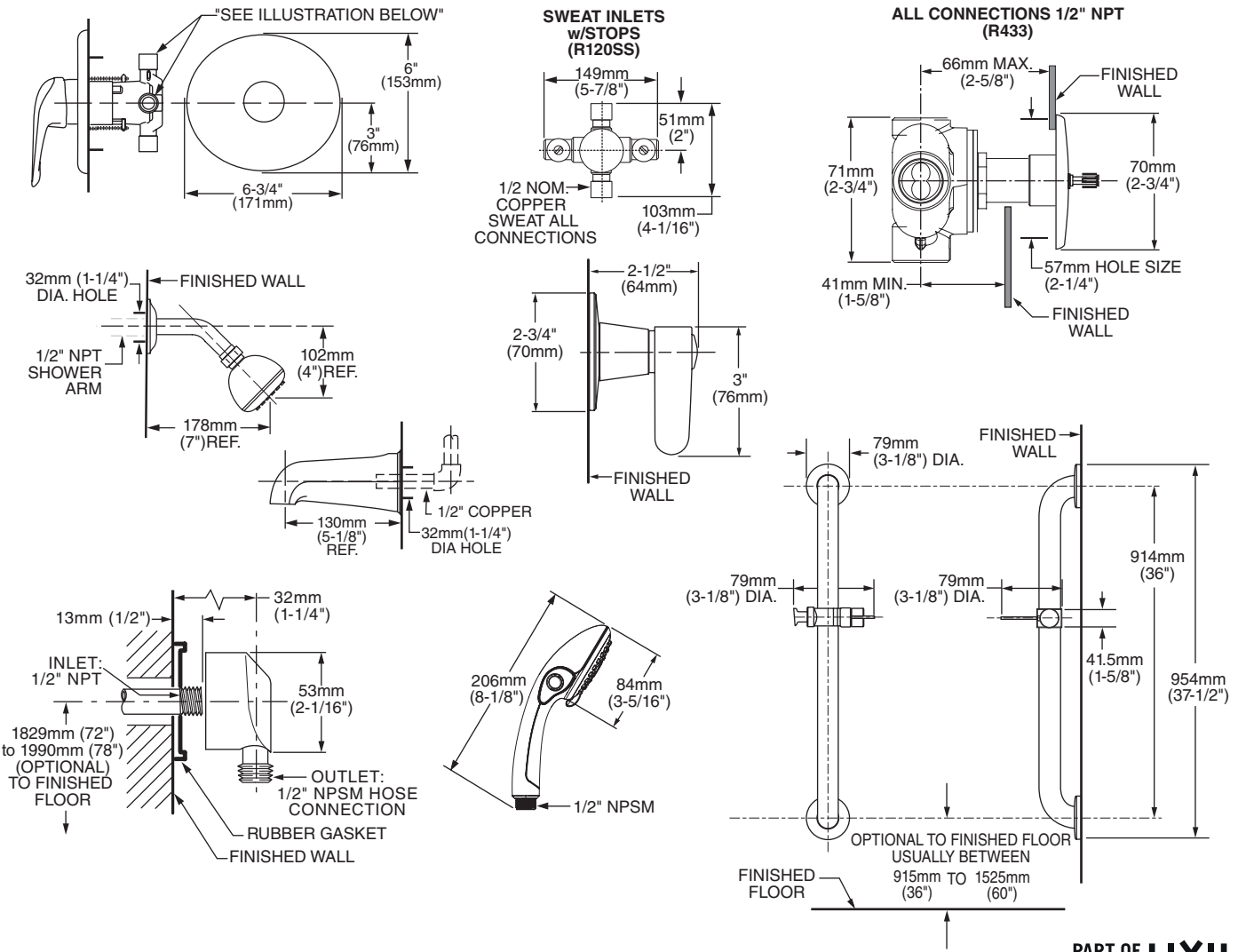
Shower system shall feature a wall supply with 1/2" NPT female inlets and 1/2" NPSM male outlet, 59" metal hose, vacuum breaker, 2.5 gpm/9.5L/min. 3-function hand shower with pause feature, 3-way diverter valve, showerhead, slip-on tub spout and a 36" slide-grab bar. Pressure Balance valve shall feature a cast brass body. Shall feature ceramic disc valve cartridge which controls water temperature and volume. Shall also feature hot limit safety stop. Fitting shall be American Standard Model # 1662SG.224.002.

**CODES AND STANDARDS**

Install as required to comply with local code requirements.

- ASME A112.18.1
- ASSE 1016
- CSA B 125
- ANSI A117.1

Product Number	Description	Finish
		Polished Chrome
1662SG.224	Commercial Shower System Kit. Contains pressure balance valve with volume and temperature control, trim kit, 3-function hand shower with pause feature, metal hose, vacuum breaker, wall supply, 3-way diverter, showerhead, slip-on tub spout and 36" slide-grab bar. 2.5gpm/9.5L/min.	002



**PART OF LIXIL**