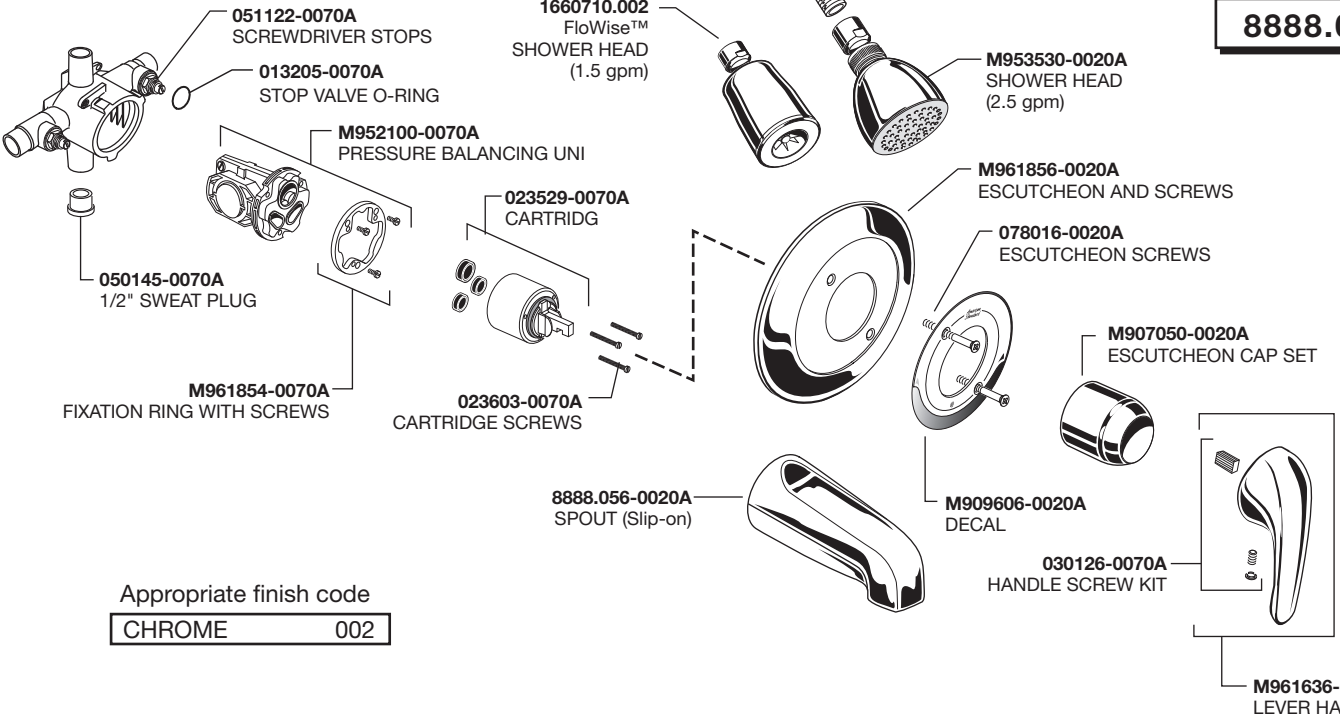


*American Standard*

**PRESSURE BALANCE  
TEMPERATURE/VOLUME  
CONTROL VALVE**

**MODEL NUMBER  
R120SS**



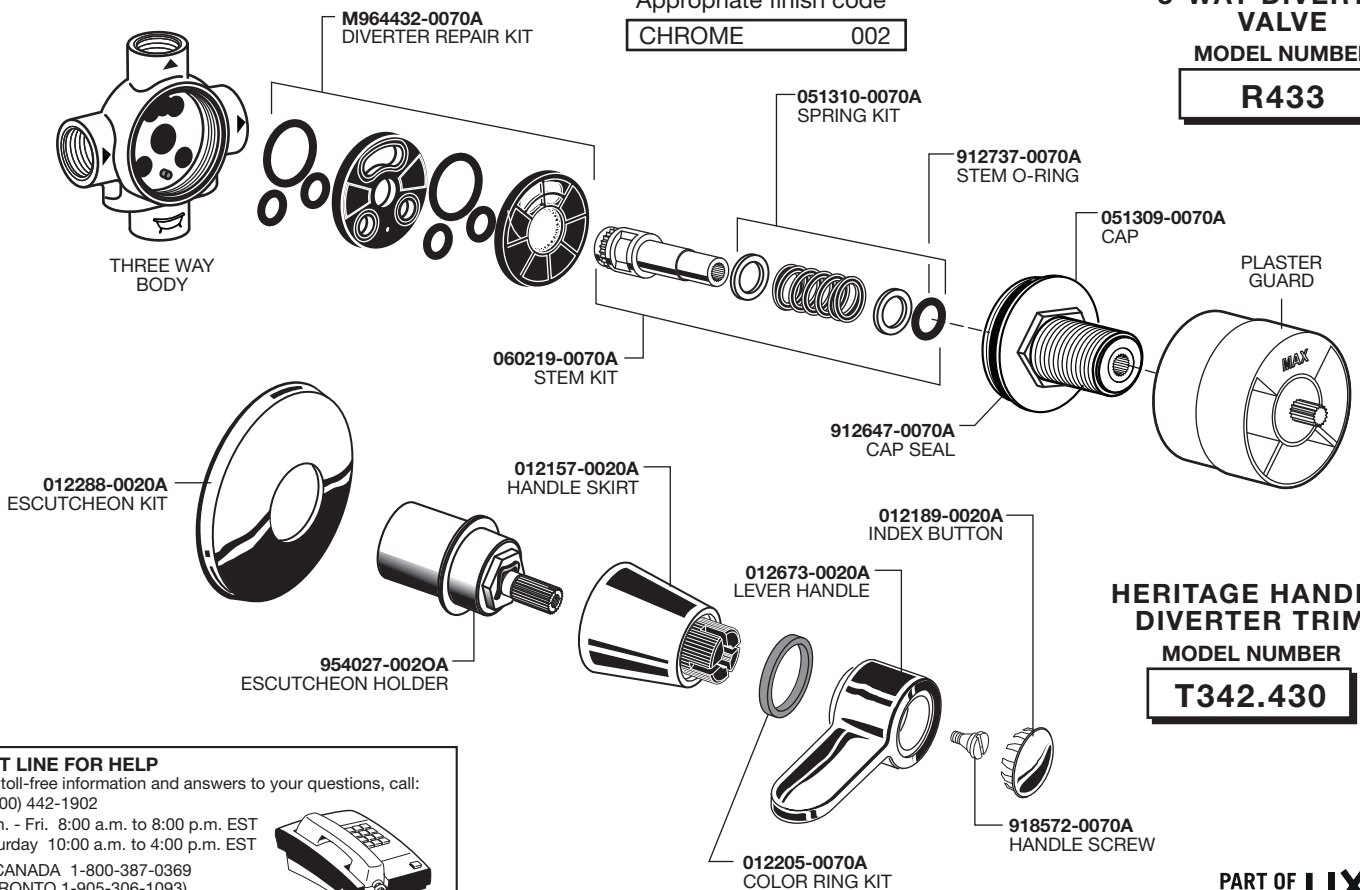
Appropriate finish code  
**CHROME 002**

**COLONY SOFT  
SHOWER TRIM  
MODEL NUMBER  
T675.501**

**TUB SPOUT  
MODEL NUMBER  
8888.056**

Appropriate finish code  
**CHROME 002**

**3-WAY DIVERTER  
VALVE  
MODEL NUMBER  
R433**



**HERITAGE HANDLE  
DIVERTER TRIM  
MODEL NUMBER  
T342.430**

**HOT LINE FOR HELP**

For toll-free information and answers to your questions, call:  
1 (800) 442-1902  
Mon. - Fri. 8:00 a.m. to 8:00 p.m. EST  
Saturday 10:00 a.m. to 4:00 p.m. EST  
IN CANADA 1-800-387-0369  
(TORONTO 1-905-306-1093)  
Weekdays 8:00 a.m. to 7:00 p.m. EST  
IN MEXICO 01-800-839-1200



**PART OF LIXIL**

M965669 Rev. 1.2 (5/16)

## 3-FUNCTION HAND SHOWER

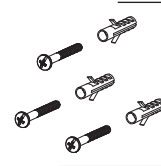
**1660766.002**  
(1.5 gpm)

**1660767.002**  
(2.5 gpm)



## 36" SLIDE BAR

**1660.236.002**



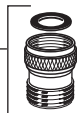
## WALL SUPPLY

**8888.037.002**

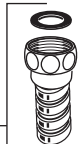
**8888037.002**  
WALL SUPPLY



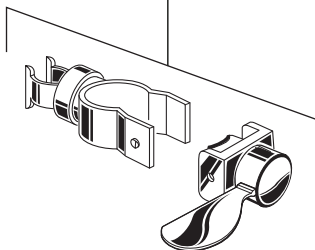
**M962520-0020A**  
CHECK VALVE



**030782-0020A**  
HOSE KIT



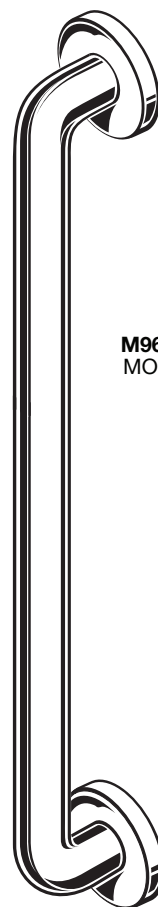
**M9641800020A**  
SPRAY HOLDER ASSEMBLY



## METAL HOSE

**8888.035.002**

**M964179-0070A**  
MOUNTING KIT



Appropriate finish code

**CHROME 002**

### HOT LINE FOR HELP

For toll-free information and answers to your questions, call:

1 (800) 442-1902

Mon. - Fri. 8:00 a.m. to 8:00 p.m. EST

Saturday 10:00 a.m. to 4:00 p.m. EST

IN CANADA 1-800-387-0369

(TORONTO 1-905-306-1093)

Weekdays 8:00 a.m. to 7:00 p.m. EST

IN MEXICO 01-800-839-1200



PART OF **LIXIL**

M965669 Rev. 1.2 (5/16)