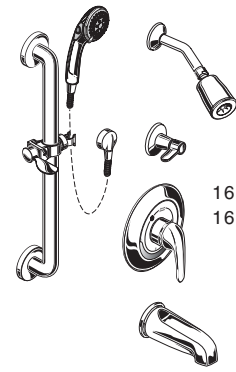


American Standard

Installation Instructions

COMMERCIAL SHOWER SYSTEM KITS: 1.5gpm & 2.5gpm

**1662SG.214
1662SG.224**



1662SG.214 (1.5gpm)
1662SG.224 (2.5gpm)

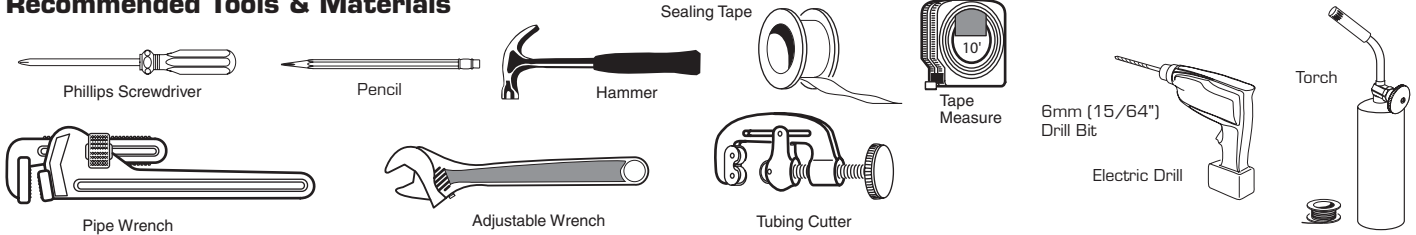
Thank you for selecting American Standard...the benchmark of fine quality for over 100 years.

To ensure that your installation proceeds smoothly—please read these instructions carefully before you begin.

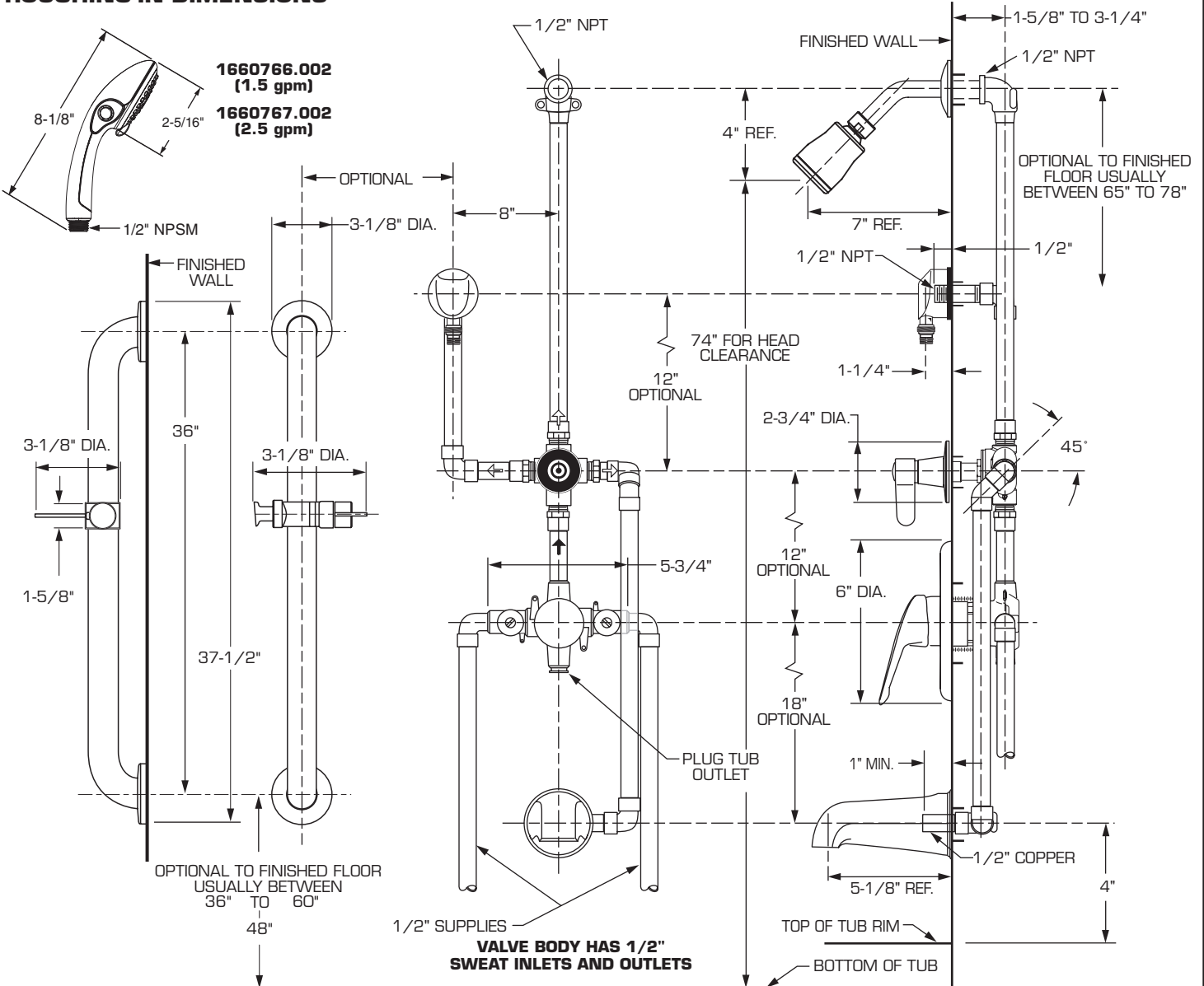
Installation must conform to all local building codes.

Certified to comply with ANSI A112.18.1
M965669 (3/15)

Recommended Tools & Materials



ROUGHING-IN DIMENSIONS



1 INSTALL THE R120SS VALVE BODY

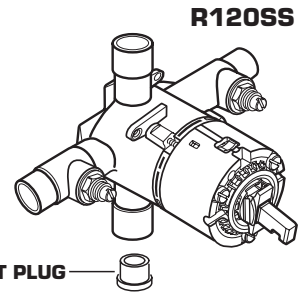
NOTE

REFER TO INSTALLATION INSTRUCTIONS (M968387) SUPPLIED WITH VALVE BODY FOR COMPLETE INSTALLATION AND REPAIR PART INFORMATION.

IMPORTANT

When soldering, remove **PLASTER GUARD, CARTRIDGES** and **CHECK STOPS (IF PRESENT)**. When finished soldering, flush valve body, replace cartridges, check stops (if present) and plaster guard to continue installation. Use thread sealant or Teflon tape on threaded connections.

- See Roughing-in diagram before starting.
- Connections are:
 - 1/2" copper sweat for sweat inlets
 - 1/2" copper sweat for sweat tub and shower outlets



2 INSTALL THE R430 THREE-WAY DIVERTER

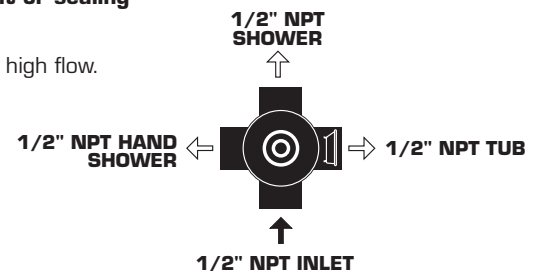
NOTE

REFER TO INSTALLATION INSTRUCTIONS (50321) SUPPLIED WITH DIVERTER FOR COMPLETE INSTALLATION AND REPAIR PART INFORMATION.

IMPORTANT

The reverse side of the body is marked with arrows. **CAUTION: Do not solder near the VALVE. Damage to the SEAL may occur. Do not seal any outlets. The DIVERTER cannot be used as a stop valve. Use thread sealant or sealing tape on threaded connections.**

- See Roughing-in diagram before starting. The port with the BATH TUB picture is the high flow.
- The DIVERTER can be installed with the inlet rotated in any position.
- All connections are 1/2" NPT.
- For proper positioning the finished wall must be within the side of PLASTER GUARD.
- Connect the R430 THREE-WAY DIVERTER to the R120SS VALVE BODY.



3 MAKE ALL CONCEALED PIPING CONNECTIONS

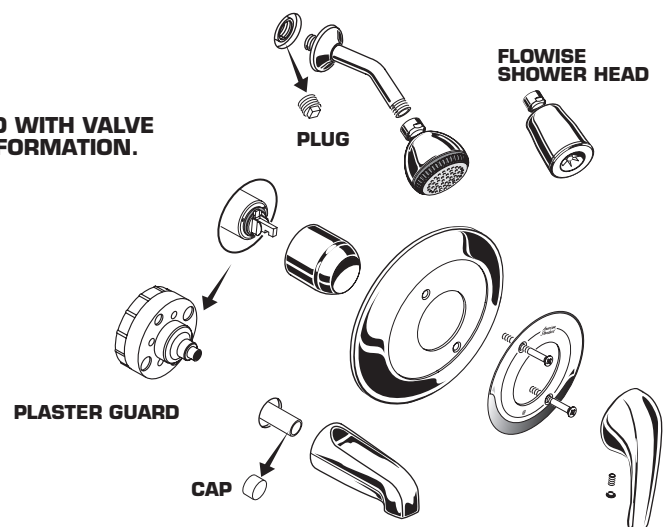
- See Roughing-in diagram before starting.
- Make Hot and Cold supply connections to the VALVE BODY. Inlet and outlet connections to the valve body are 1/2" copper sweat.
- Make Tub Filler connection from DIVERTER. (Use the port with the BATH TUB picture). DIVERTER IS 1/2" NPT. TUB SPOUT connection is 1/2" copper for SLIP-ON SPOUT.
- Make the connections for the SHOWER and HAND SHOWER. The SHOWER and HAND SHOWER connections are 1/2" NPT.
- For support, use PIPE BRACES secured to wooden braces. Cap off SHOWER, HAND SHOWER and TUB SPOUT FILLER PIPE. With the R120SS VALVE turned off, turn on water supplies. Check for leaks.
- Finish all wall construction.

4 INSTALL VALVE TRIM

NOTE

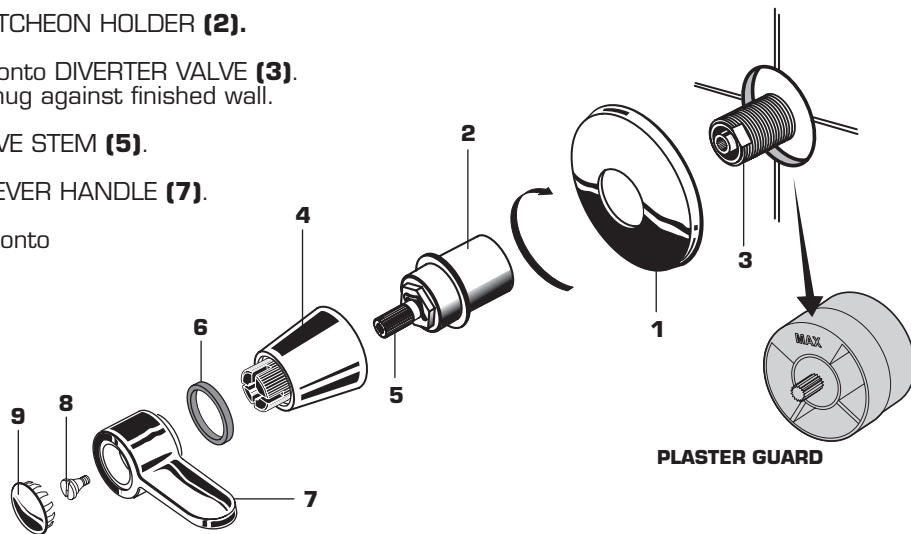
REFER TO INSTALLATION INSTRUCTIONS (M968763) SUPPLIED WITH VALVE TRIM KIT FOR COMPLETE INSTALLATION AND REPAIR PART INFORMATION.

- When finished tiling the wall, remove PLASTER GUARD.
- Remove cap from tub supply and plug from shower pipe.



5 INSTALL DIVERTER TRIM AND HANDLE

- When finished tiling the wall, remove PLASTER GUARD.
- Place ESCUTCHEON (1) onto ESCUTCHEON HOLDER (2).
- Thread ESCUTCHEON HOLDER (2) onto DIVERTER VALVE (3). Tighten until ESCUTCHEON (1) is snug against finished wall.
- Install HANDLE SKIRT (4) onto VALVE STEM (5).
- Push DECORATIVE RING (6) onto LEVER HANDLE (7).
- Align LEVER HANDLE (7) and push onto HANDLE SKIRT (4). Install HANDLE SCREW (8) and tighten.
- Push INDEX CAP (9) into LEVER HANDLE (7).



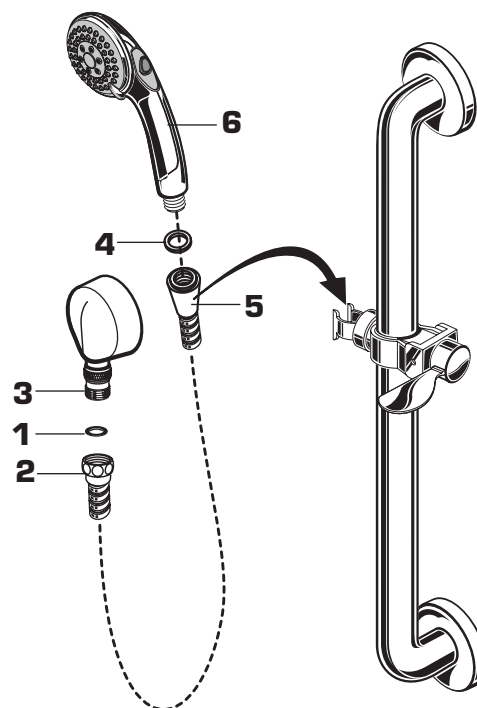
6 INSTALL WALL SUPPLY

- Supply to WALL SUPPLY is 1/2" NPT. See rough-in above for detailed information.
- Apply sealant or sealing tape to threads of 1/2" NPT supply nipple.



7 INSTALL HOSE AND HAND SHOWER TEST SHOWER SYSTEM

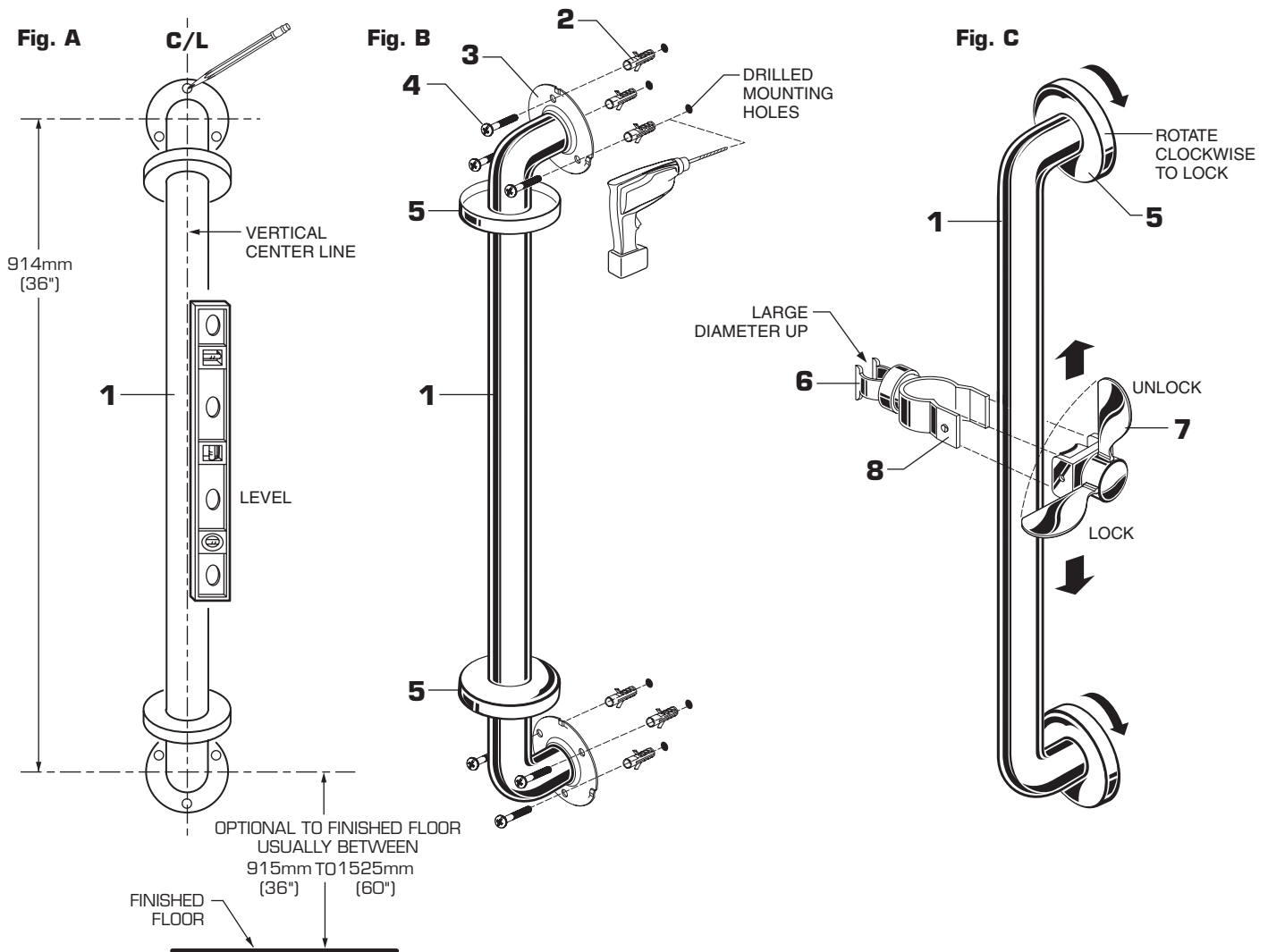
- Install SEAL (1) into COUPLING NUT (2). Connect COUPLING NUT (2) to WALL SUPPLY NIPPLE (3) and tighten.
- INSTALL second SEAL (4) into SPRAY HOSE END (5) and connect HAND SHOWER (6) to SPRAY HOSE END (5). Hand tighten.
- Turn on water supplies and check all functions of the SHOWER SYSTEM KIT. Check for any leaks.



8

INSTALLATION INSTRUCTIONS

- The GRAB BAR (1) works best when secured to the wall studs or cross brace using WOOD SCREWS. If mounting into the studs is not possible, use appropriate wall fasteners provided to secure the installation.
- Mark a vertical **center line** in the location you wish to install the SLIDE BAR (1). **NOTE: The height from the finished floor is optional. See rough-in drawing for suggested dimensions.**
- Determine desired height from the finished floor to the lower support and mark a horizontal center line. Slide the two WALL ESCUTCHEONS (5) away from the MOUNTING FLANGES (3). Position the GRAB BAR (1) as shown in Fig. A and mark the location of the six mounting holes to be drilled. Fig. A. Using a #10 masonry drill, drill six mounting holes 1-1/4" max. deep. Fig. B.
- Install the six ANCHORS (2) provided into the mounting holes. Use a hammer to lightly tap ANCHORS (2) into place. Make sure they are installed flush against the finished wall. Fig. B.
- Align and place the GRAB BAR MOUNTING FLANGES (3) over the installed ANCHORS (2). Secure the GRAB BAR (1) to the wall with the SCREWS (4) provided. Fig. B.
- Push WALL ESCUTCHEONS (5) against finished wall. Rotate WALL ESCUTCHEONS (5) clockwise to lock into position. Fig. C.
- Make sure larger diameter side of SPRAY HOLDER (6) is facing upward. If not rotate SPRAY HOLDER (6) 180 degrees. Rotate the LEVER HANDLE (7) to the unlocked position. Push the SPRAY HOLDER (6) side onto the GRAB BAR (1). Push the LEVER HANDLE SIDE (7) over the SPRAY HOLDER ARMS (8) until the two snap together.
- Check operation of SLIDE BAR (1) by rotating HOLDER LEVER (7) and moving HAND SHOWER HOLDER (9) up and down. Rotate LEVER HANDLE (7) back to lock HAND SHOWER HOLDER (6). Fig. B.



CARE INSTRUCTIONS:

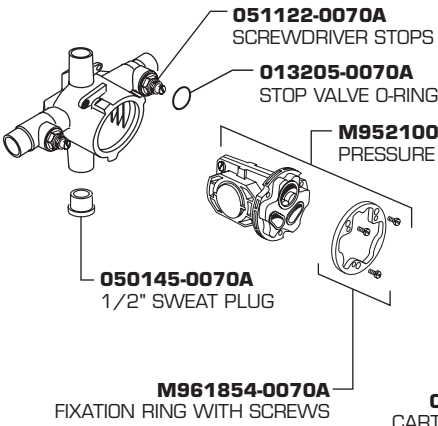
DO: SIMPLY RINSE THE PRODUCT CLEAN WITH CLEAR WATER. DRY WITH A SOFT COTTON FLANNEL CLOTH.

DO NOT: DO NOT CLEAN THE PRODUCT WITH SOAPS, ACID, POLISH, ABRASIVES, HARSH CLEANERS, OR A CLOTH WITH A COARSE SURFACE.

American Standard

**PRESSURE BALANCE
TEMPERATURE/VOLUME
CONTROL VALVE**

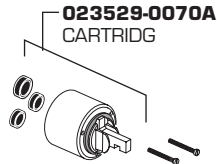
**MODEL NUMBER
R120SS**



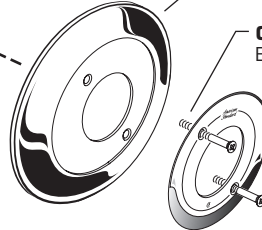
023560-0020A
SHOWER ARM
AND FLANGE



M953530-0020A
SHOWER HEAD



023529-0070A
CARTRIDGE



M961856-0020A
ESCUTCHEON AND SCREWS



078016-0020A
ESCUTCHEON SCREWS



M907050-0020A
ESCUTCHEON CAP SET



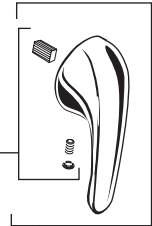
8888.056-0020A
SPOUT (Slip-on)



M909606-0020A
DECAL



030126-0070A
HANDLE SCREW KIT



M961636-0020A
LEVER HANDLE KIT

Appropriate finish code

CHROME 002

**COLONY SOFT
SHOWER TRIM**

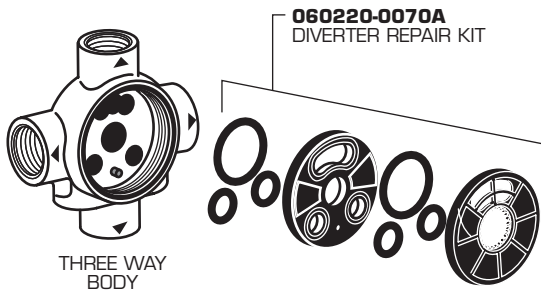
**MODEL NUMBER
T675.501**

**TUB SPOUT
MODEL NUMBER**

8888.056

Appropriate finish code

CHROME 002



THREE WAY
BODY

060220-0070A
DIVERTER REPAIR KIT

051310-0070A
SPRING KIT

912737-0070A
STEM O-RING

051309-0070A
CAP

PLASTER
GUARD

060219-0070A
STEM KIT

912647-0070A
CAP SEAL

012288-0020A
ESCUTCHEON KIT

012157-0020A
HANDLE SKIRT

012189-0020A
INDEX BUTTON

**HERITAGE HANDLE
DIVERTER TRIM**

**MODEL NUMBER
T342.430**



HOT LINE FOR HELP

For toll-free information and answers to your questions, call:
1-800-442-1902
Weekdays 8:00 a.m. to 6:00 p.m. EST
IN CANADA 1-800-367-0369 (TORONTO 1-905-306-1093)
Weekdays 8:00 a.m. to 7:00 p.m. EST
IN MEXICO 01-800-839-1200

Product names listed herein are trademarks of American Standard Inc.
© AS America, Inc. 2015

3-FUNCTION HAND SHOWER

1660766.002
(1.5 gpm)

1660767.002
(2.5 gpm)



36" SLIDE BAR
1660.236.002



WALL SUPPLY

8888.037.002

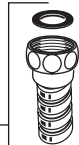
8888037.002
WALL SUPPLY



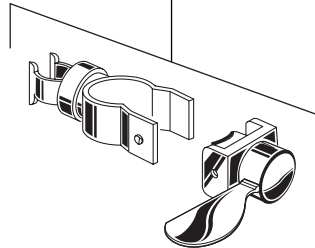
M962520-0020A
CHECK VALVE



030782-0020A
HOSE KIT



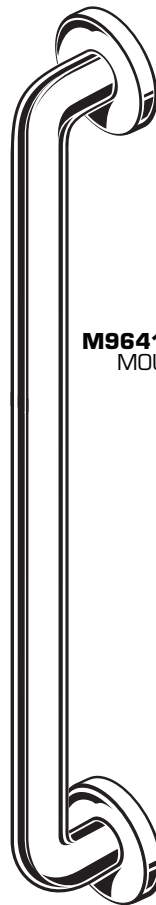
M9641800020A
SPRAY HOLDER
ASSEMBLY



METAL HOSE

8888.035.002

M964179-0070A
MOUNTING KIT



Appropriate finish code

CHROME **002**



HOT LINE FOR HELP

For toll-free information and answers to your questions, call:
1-800-442-1902
Weekdays 8:00 a.m. to 6:00 p.m. EST
IN CANADA 1-800-367-0369 (TORONTO 1-905-306-1093)
Weekdays 8:00 a.m. to 7:00 p.m. EST
IN MEXICO 01-800-839-1200