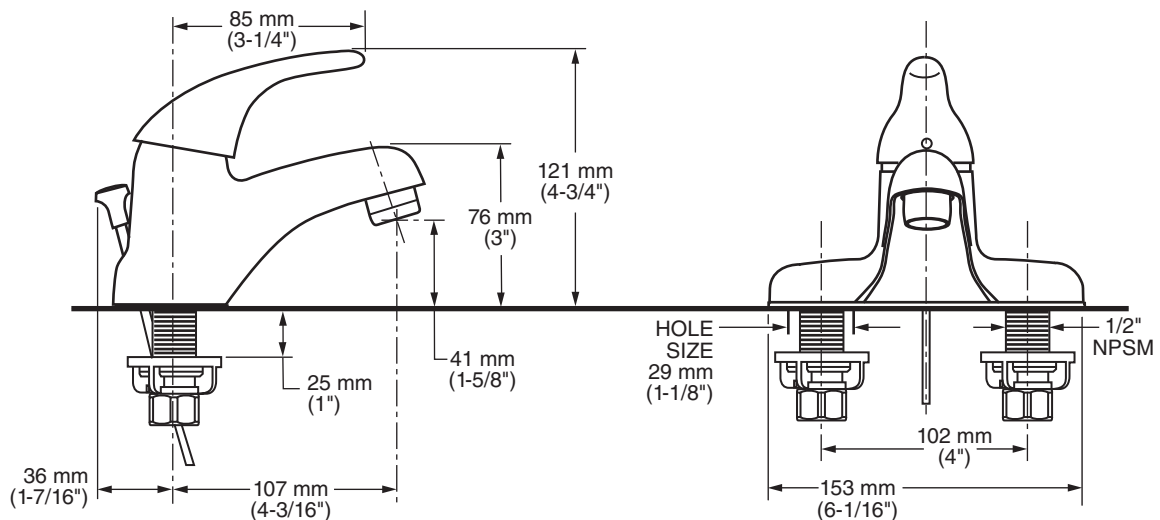


2175.500 Shown

MODEL NUMBER:

- ❑ **2175.500 Colony Soft Single Control Centerset**
Metal lever handle. 50/50 Pop-up drain.
- ❑ **2175.506 Colony Soft Single Control Centerset**
Metal lever handle. Grid drain. Less pop-up rod and hole.
- ❑ **2175.505 Colony Soft Single Control Centerset**
Metal lever handle. Less drain. With pop-up hole, plug button and rod.
- ❑ **2175.504 Colony Soft Single Control Centerset**
Metal lever handle. Less drain. Less pop-up rod and hole.



GENERAL DESCRIPTION:

Single control lavatory faucet on 4" centers. Washerless 40 mm ceramic disc valve cartridge with integral hot limit safety stop. Durable cast brass waterway with 1/2" male threaded brass inlet shanks. Metal body with color matched underbody. Metal lever handle with large "comfort zone". 1.2 gpm/4.5 L/min. maximum flow rate.

PRODUCT FEATURES:

Cast Brass Underbody with "City Shanks":

Strong and durable. Integral tabs on casting provide a wobble-free installation.

Ceramic Disc Valve Cartridge: Assures a lifetime of drip-free performance.

Adjustable Hot Limit Safety Stop: Limits the amount of hot water allowed to mix with cold. Reduces the risk of accidental scalding.

Lead Free: Faucet contains ≤ 0.25% total lead content by weighted average.

Longer Spout: Provides extended reach into lavatory.

Memory Position Valving: Allows user to turn valve on and off at preferred temperature setting without readjusting handle position each time.

Large "Comfort Zone": Allows easy fine tuning of temperature.

Simple Installation: Fast and easy one person installation.

Faucet drops in from top. Quick spin nuts secure faucet in place.

SUGGESTED SPECIFICATION

Single control lavatory fitting shall feature cast brass waterways with 1/2" male inlet shanks. Shall also feature washerless 40 mm ceramic disc valve cartridge with integral hot limit safety stop. Fitting shall be American Standard Model # 2175.

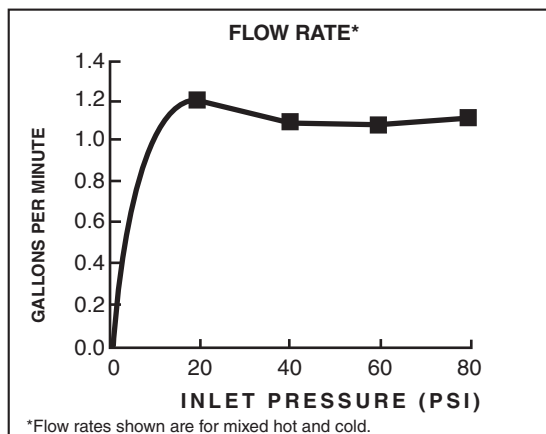


COLONY® SOFT SINGLE CONTROL LAVATORY FAUCET

CODES AND STANDARDS

These products meet or exceed the following codes and standards:

- ANSI A117.1
- ASME A112.18.1
- NSF 61/Section 9 and Annex G
- CSA B125.1



Product Number	Description		Finish Options	
			Polished Chrome	PVD Satin Nickel
			002	295
2175.50	Colony Soft Single Control Centerset. 50/50 Pop-up drain.			
2175.506	Colony Soft Single Control Centerset. Grid drain. Less pop-up rod and hole.			N/A
2175.505	Colony Soft Single Control Centerset. Less drain. With pop-up rod and hole.			N/A
2175.504	Colony Soft Single Control Centerset. Less drain. Less pop-up rod and hole.			N/A

N/A = Not Available

Meets the American Disabilities Act Guidelines and ANSI A117.1 Requirements for the physically challenged.

AERATOR MODIFICATIONS***	Parts Suffix**
0.5 gpm (1.9 Lpm) Non-Aerated PCA* Spray	___F05
0.5 gpm (1.9 Lpm) Non-Aerated Vandal Resistant PCA Spray	___V05
1.0 gpm (3.8 Lpm) PCA Aerator	___F10
1.0 gpm (3.8 Lpm) Vandal Resistant PCA Aerator	___V10
1.2 gpm (4.5 Lpm) Vandal Resistant PCA Aerator	___V12
1.5 gpm (5.7 Lpm) Vandal Resistant PCA Aerator	___V15
1.5 gpm (5.7 Lpm) Non-Aerated Laminar PCA Flow Outlet	___L15

*PCA — Pressure Compensating

To modify a product, add suffix after the 4th digit (ex. 2064F05**101.002)

***Modified product models are **NOT** WaterSense certified.