

**AXOR Massaud**  
**Axor Massaud Tub Spout**  
 Finishes : **chrome**    Part no. : **18472001**



## Description

### Features

- Flow: 4.5 GPM
- Solid brass

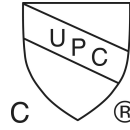
### Required accessories

- Rough, Axor Massaud Tub Spout (#18471USA)

## Item details

List Price \$ 950.00

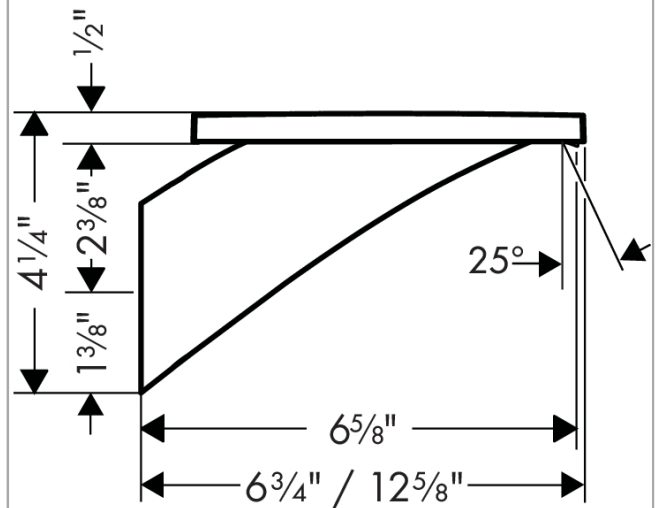
## Compliance



## Product image



## Scale drawing

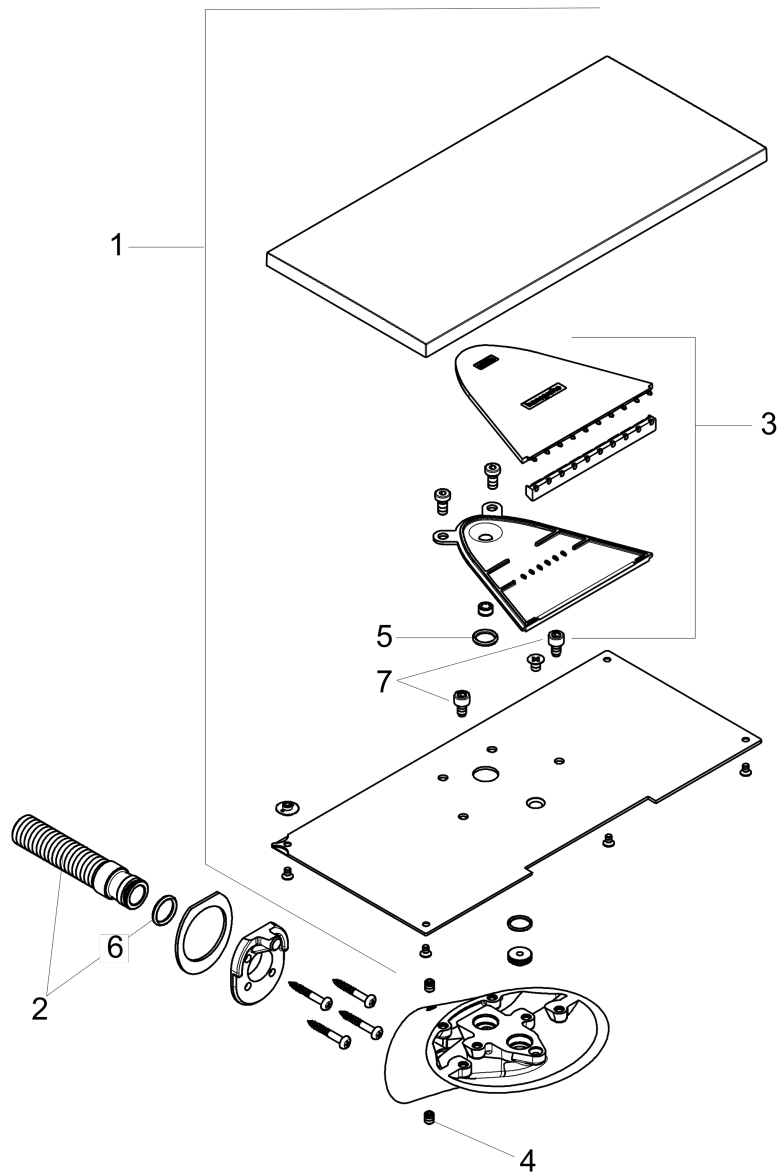


**AXOR Massaud**  
**Axor Massaud Tub Spout**  
Finishes : **chrome**    Part no. : **18472001**



## Exploded drawing

Year of production: >11/12



**AXOR Massaud**  
**Axor Massaud Tub Spout**  
 Finishes : **chrome**    Part no. : **18472001**



## Spare parts list

Year of production: >11/12

Pos.	Description	Part no.	Price	PU
1	plate for spout	98975000	-	1
2	connecting thread G½	97228000	-	1
3	spray former	97446000	-	1
4	hollow set screw M6x8	97810000	-	1
5	O-ring 12x2	98214000	-	1
6	O-ring 16x2,5	98134000	-	1
7	hexagon socket screw M6x10	92847000	-	1
a	spray former (special 8°)	95492000	-	1
b	extension 25 mm	95413000	-	1