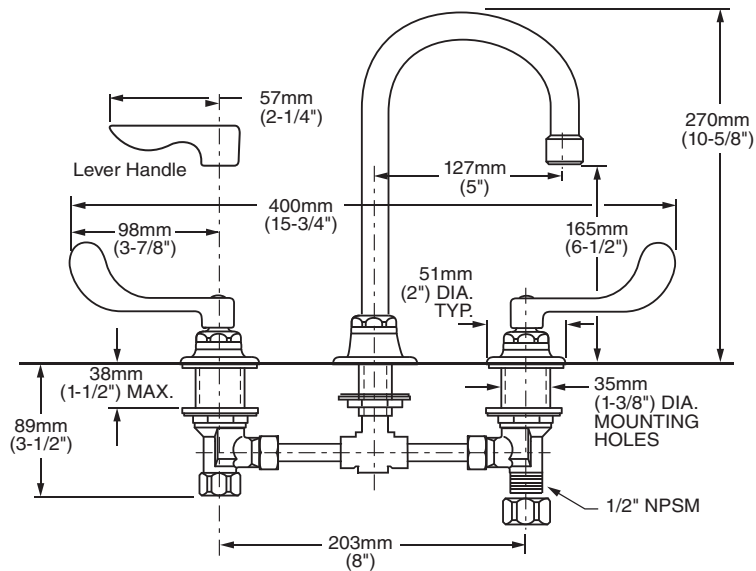




6545.170 Shown

MODEL NUMBER:

- **6545.170 Widespread Lavatory**
 1.5 gpm Pressure Compensating Vandal-Resistant Aerator. Gooseneck spout, swivel is limited to 140°. Vandal-Resistant Wrist Blade Handles. Less drain.



GENERAL DESCRIPTION:

Durable cast brass construction. Cast brass valve bodies with 8" rigid copper connection with compression fittings. 1/2" male threaded inlet shanks with brass coupling nuts. 1/4 turn ceramic disc valve cartridges. Gooseneck swivel spout. Limited swivel design restricts swing to 140°. Vandal-Resistant Wrist Blade handles with blue & red color indexes. 1.5 gpm/5.7L/min. maximum flow rate.

PRODUCT FEATURES:

- Limited Swivel Spout:** Swing is restricted to 140° to prevent water spills behind the sink.
- Pressure Compensating Aerator:** Provides a constant water flow of 1.5 gpm throughout the pressure range.
- Solid Brass Construction:** Durable - Excellent in high use applications. Ideal for prolonged contact with water.
- Ceramic Disc Valve Cartridges:** Assures a lifetime of drip-free performance.
- Lead Free:** Faucet contains ≤ 0.25% total lead content by weighted average.

SUGGESTED SPECIFICATION:

Two handle widespread lavatory faucet shall feature cast brass valve bodies with 8" rigid copper connection. Gooseneck swivel spout with swing limited to 140°. Shall feature water-conserving, vandal-resistant 1.5 gpm/5.7L/min. pressure compensating aerator. Vandal-Resistant handles. Shall also feature 1/4 turn washerless ceramic disc valve cartridges. Fitting shall be American Standard Model # 6545.170.002.



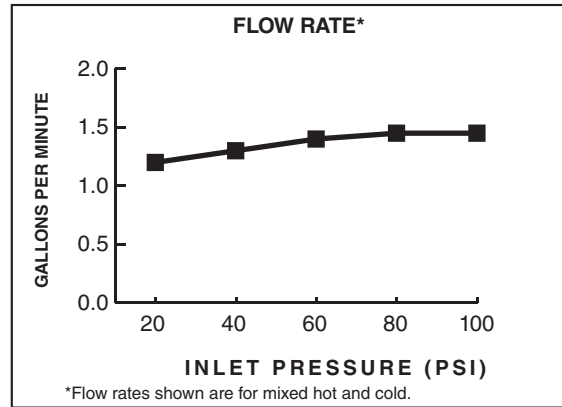
MONTERREY®

TWO-HANDLE 8" WIDESPREAD LAVATORY FAUCET WITH LIMITED SWIVEL GOOSENECK SPOUT

CODES AND STANDARDS

These products meet or exceed the following codes and standards:

- ANSI A117.1
- ASME A112.18.1
- CSA B 125
- NSF 372



Product Number	Description	Finish
		Polished Chrome
6545.170	Widespread Lavatory with limited swivel gooseneck spout. 1.5 gpm/5.7L/min pressure compensating, vandal-resistant aerator. Vandal-Resistant Wrist Blade Handles. Less drain and pop-up hole.	002

MEETS THE AMERICANS WITH DISABILITIES ACT GUIDELINES AND ANSI A117.1 REQUIREMENTS FOR ACCESSIBLE AND USABLE BUILDING FACILITIES-CHECK LOCAL CODES

<u>Other Aerators Available:</u>	
Part Suffix	Description
LV15	1.5 gpm (5.7 Lpm) PCA Vandal-Resistant Non-Aerated Laminar Flow Outlet
LV10	1.0 gpm (3.8 Lpm) PCA Vandal-Resistant Non-Aerated Laminar Flow Outlet
V10	1.0 gpm (3.8 Lpm) PCA Vandal-Resistant Aerator
V05**	0.5 gpm (1.9 Lpm) PCA Vandal-Resistant Multi-Laminar Spray
V035**	0.35 gpm (1.3 Lpm) PCA Vandal-Resistant Multi-Laminar Spray

*PCA - Pressure Compensating

**Meets Cal Green Code