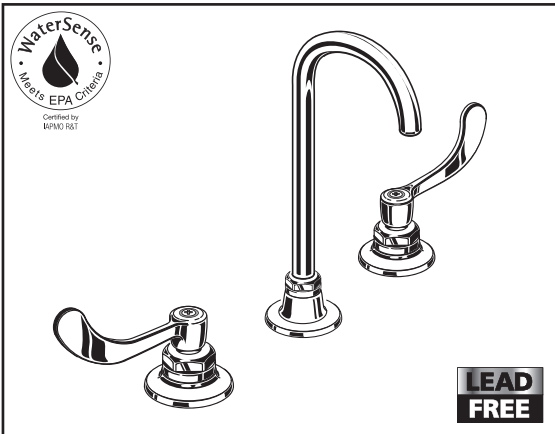




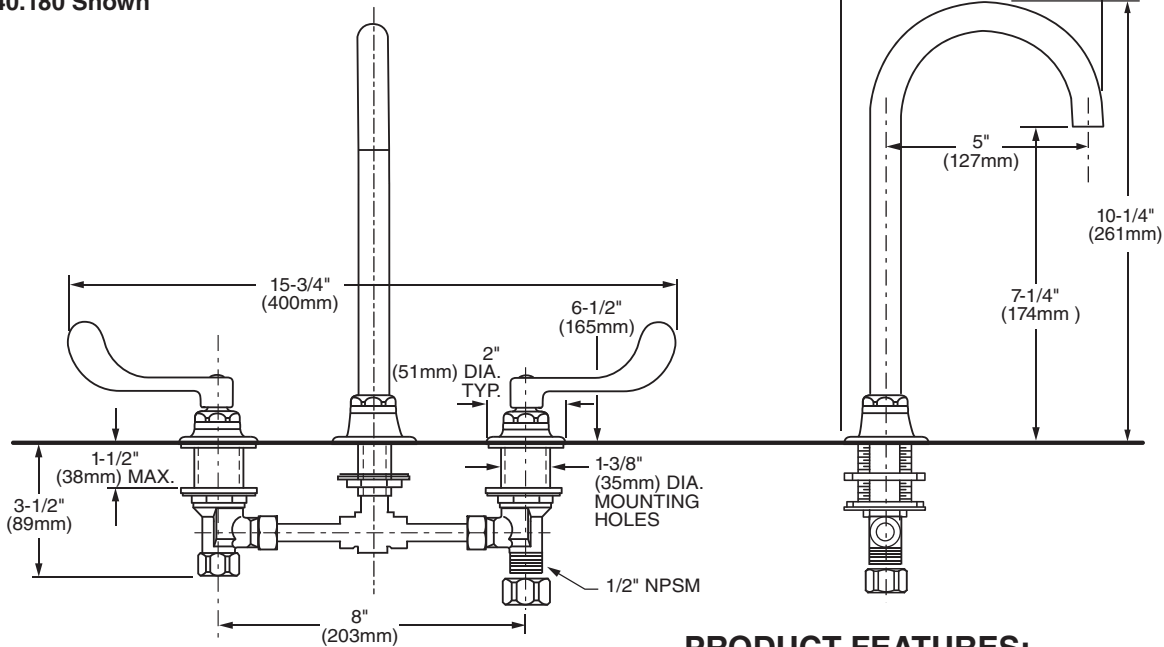
MONTERREY® TWO-HANDLE CENTERSET LAVATORY FAUCET WITH LAMINAR FLOW IN BASE OF SPOUT
RIGID/SWIVEL GOOSENECK SPOUT WITH 5" REACH

MODEL NUMBER:

- 6540.180 Widespread Lavatory**
 1.5 gpm Pressure Compensating Laminar Flow device in base of spout. Plain spout end. Field-Convertible rigid/swivel gooseneck spout. Vandal-Resistant Wrist Blade Handles. Less drain and pop-up hole.



6540.180 Shown



GENERAL DESCRIPTION:

Durable cast brass construction. Cast brass valve bodies with 8" rigid copper connection with compression fittings. 1/2" male threaded inlet shanks with brass coupling nuts. 1/4 turn ceramic disc valve cartridges. Field-convertible rigid/swivel gooseneck spout. Plain spout end. Vandal-Resistant Wrist Blade handles with blue & red color indexes. 1.5 gpm/5.7L/min. maximum flow rate.

PRODUCT FEATURES:

- Laminar Flow Device in Base of Spout:** Prevents mix of air and water. Ideal for hospital applications.
- Plain Spout End:** Eliminates area for lime and debris to collect.
- Solid Brass Construction:** Durable - Excellent in high use applications. Ideal for prolonged contact with water.
- Ceramic Disc Valve Cartridges:** Assures a lifetime of drip-free performance.
- Field-Convertible Rigid/Swivel Spout:** Easily converted in the field.
- Lead Free:** Faucet contains ≤ 0.25% total lead content by weighted average.

SUGGESTED SPECIFICATION:

Two handle widespread lavatory faucet shall feature cast brass valve bodies with 8" rigid copper connection. Shall feature water-conserving 1.5 gpm/5.7L/min. pressure compensating laminar flow device in base of spout. Vandal-Resistant wrist blade handles. 1/4 turn washerless ceramic disc valve cartridges. Shall also feature field-convertible rigid/swivel spout with plain spout end. Fitting shall be American Standard Model # 6540.180.002.

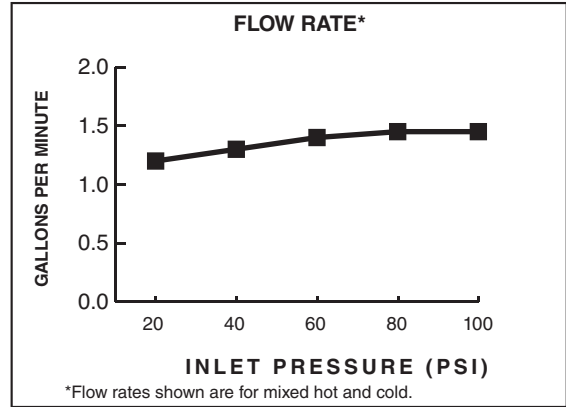


**MONTERREY® TWO-HANDLE CENTERSET LAVATORY FAUCET
WITH LAMINAR FLOW IN BASE OF SPOUT
RIGID/SWIVEL GOOSENECK SPOUT WITH 5" REACH**

CODES AND STANDARDS

These products meet or exceed the following codes and standards:

- ANSI 117.1
- ASME A112.18.1
- CSA B 125
- NSF 372



Product Number	Description	Finish
		Polished Chrome
		002
6540.180	Widespread Lavatory with field-convertible rigid/swivel gooseneck spout. 1.5 gpm/5.7L/min pressure compensating laminar flow device in base of spout. Plain spout end. Vandal-Resistant Wrist Blade Handles. Less drain and pop-up hole.	

MEETS THE AMERICANS WITH DISABILITIES ACT GUIDELINES AND ANSI A117.1 REQUIREMENTS FOR ACCESSIBLE AND USABLE BUILDING FACILITIES-CHECK LOCAL CODES

Other Aerators Available:

Part Suffix	Description
L10	1.0 gpm (3.8 Lpm) PCA Non-Aerated Laminar Flow Outlet