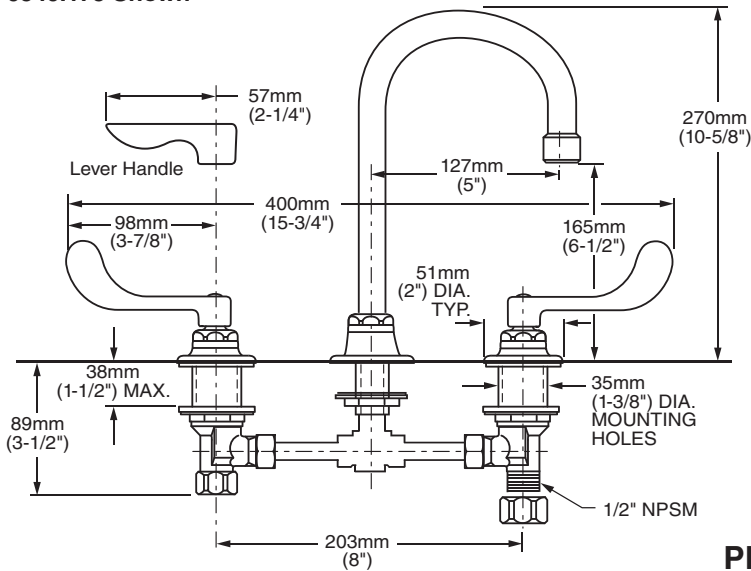




6540.175 Shown



**GENERAL DESCRIPTION:**

Durable cast brass construction. Cast brass valve bodies with 8" rigid copper connection with compression fittings. 1/2" male threaded inlet shanks with brass coupling nuts. 1/4 turn ceramic disc valve cartridges. Field-convertible rigid/swivel gooseneck spout. Choice of Vandal-Resistant Lever or Wrist Blade handles with blue & red color indexes. All brass drain body with 1 1/4" (32mm) tailpiece (on applicable models). 0.5 gpm/1.9L/min. maximum flow rate.

**PRODUCT FEATURES:**

- Pressure Compensating Multi-Laminar Spray:** Provides a constant water flow of 0.5 gpm throughout the pressure range. No mix of air and water.
- Solid Brass Construction:** Durable - Excellent in high use applications. Ideal for prolonged contact with water.
- Ceramic Disc Valve Cartridges:** Assures a lifetime of drip-free performance.
- Field-Convertible Rigid/Swivel Spout:** Easily converted in the field.
- Lead Free:** Faucet contains ≤ 0.25% total lead content by weighted average.

**MODEL NUMBER:**

- 6540.175 Widespread Lavatory**  
0.5 gpm Pressure Compensating Vandal-Resistant Multi-Laminar Spray. Convertible rigid/swivel gooseneck spout. Vandal-Resistant Wrist Blade Handles. Less drain and pop-up hole.
- 6542.175 Widespread Lavatory**  
0.5 gpm Pressure Compensating Vandal-Resistant Multi-Laminar Spray. Convertible rigid/swivel gooseneck spout. Vandal-Resistant Wrist Blade Handles. Grid strainer drain.
- 6540.145 Widespread Lavatory**  
0.5 gpm Pressure Compensating Vandal-Resistant Multi-Laminar Spray. Convertible rigid/swivel gooseneck spout. Vandal-Resistant Lever Handles. Less drain and pop-up hole.
- 6542.145 Widespread Lavatory**  
0.5 gpm Pressure Compensating Vandal-Resistant Multi-Laminar Spray. Convertible rigid/swivel gooseneck spout. Vandal-Resistant Lever Handles. Grid strainer drain.

**SUGGESTED SPECIFICATION:**

Two handle widespread lavatory faucet shall feature cast brass valve bodies with 8" rigid copper connection. Shall feature water-conserving vandal-resistant 0.5 gpm/1.9L/min. pressure compensating multi-laminar spray. Vandal-Resistant handles. Shall also feature 1/4 turn washerless ceramic disc valve cartridges. Shall also feature convertible rigid/swivel spout. Fitting shall be American Standard Model # 654\_1\_5.002.

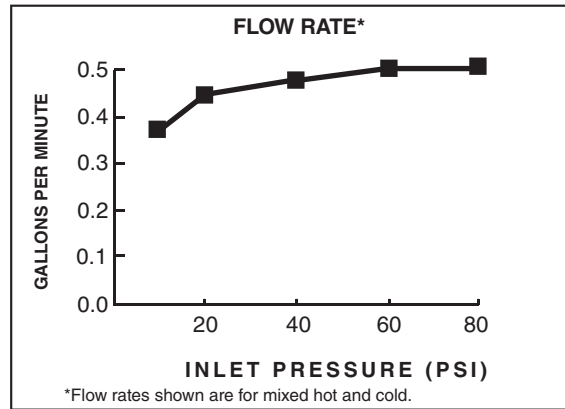


**MONTERREY® 0.5 GPM  
TWO-HANDLE 8" WIDESPREAD LAVATORY FAUCET  
RIGID/SWIVEL GOOSENECK SPOUT WITH 5" REACH**

**CODES AND STANDARDS**

These products meet or exceed the following codes and standards:

- ANSI A117.1**
- ASME A112.18.1**
- CSA B 125**
- NSF 372**



Product Number	Description	Finish
		Polished Chrome
		002
6540.175	Widespread Lavatory with convertible rigid/swivel gooseneck spout. 0.5 gpm/1.9L/min pressure compensating vandal-resistant multi-laminar spray. Vandal-Resistant Wrist Blade Handles. Less drain and pop-up hole.	
6542.175	Widespread Lavatory with convertible rigid/swivel gooseneck spout. 0.5 gpm/1.9L/min pressure compensating vandal-resistant multi-laminar spray. Vandal-Resistant Wrist Blade Handles. Grid strainer drain.	
6540.145	Widespread Lavatory with convertible rigid/swivel gooseneck spout. 0.5 gpm/1.9L/min pressure compensating vandal-resistant multi-laminar spray. Vandal-Resistant Lever Handles. Less drain and pop-up hole.	
6542.145	Widespread Lavatory with convertible rigid/swivel gooseneck spout. 0.5 gpm/1.9L/min pressure compensating vandal-resistant multi-laminar spray. Vandal-Resistant Lever Handles. Grid strainer drain.	

 **MEETS THE AMERICANS WITH DISABILITIES ACT GUIDELINES AND ANSI A117.1 REQUIREMENTS FOR ACCESSIBLE AND USABLE BUILDING FACILITIES-CHECK LOCAL CODES**