

### FEATURED MODEL

441194 Pot Filler, CHROME

### ADDITIONAL MODELS

441195 Pot Filler, SATIN NICKEL

### FEATURES

- Wall mounted pot filler
- Dual quarter-turn shut-off valves
- Cold water only, non-mixing valve
- Ceramic disk cartridge
- 2.2 GPM flow rate

### ANSI COMPLIANCE

ASME A112.18.1-2011  
NSF 61 certified  
NSF 61 ANEX G low lead requirements  
CMR 248 - MA

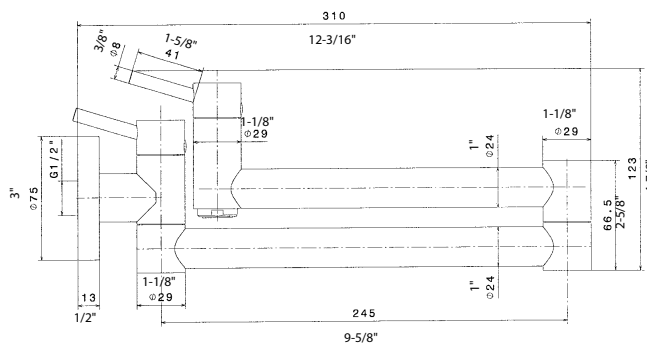
**AB1953 Lead Free**



Model 441194 shown

### NOMINAL DIMENSIONS

EXTENDED LENGTH
21-3/4"



### WARRANTY

BLANCO'S kitchen and bar faucets feature a LIMITED LIFETIME WARRANTY to be free of all manufacturing defects under normal use. See our complete warranty for details.

While BLANCO endeavors to provide accurate information, all dimensions are nominal, cannot be guaranteed, and are subject to change or cancellation. BLANCO assumes no responsibility for use of superseded or voided specifications.

### JOB INFORMATION

Job Name: \_\_\_\_\_

Contact: \_\_\_\_\_

Date Specified: \_\_\_\_\_

Specifier: \_\_\_\_\_

Contractor: \_\_\_\_\_

**See next page for exploded parts drawing and parts list.**

**BLANCO AMERICA**

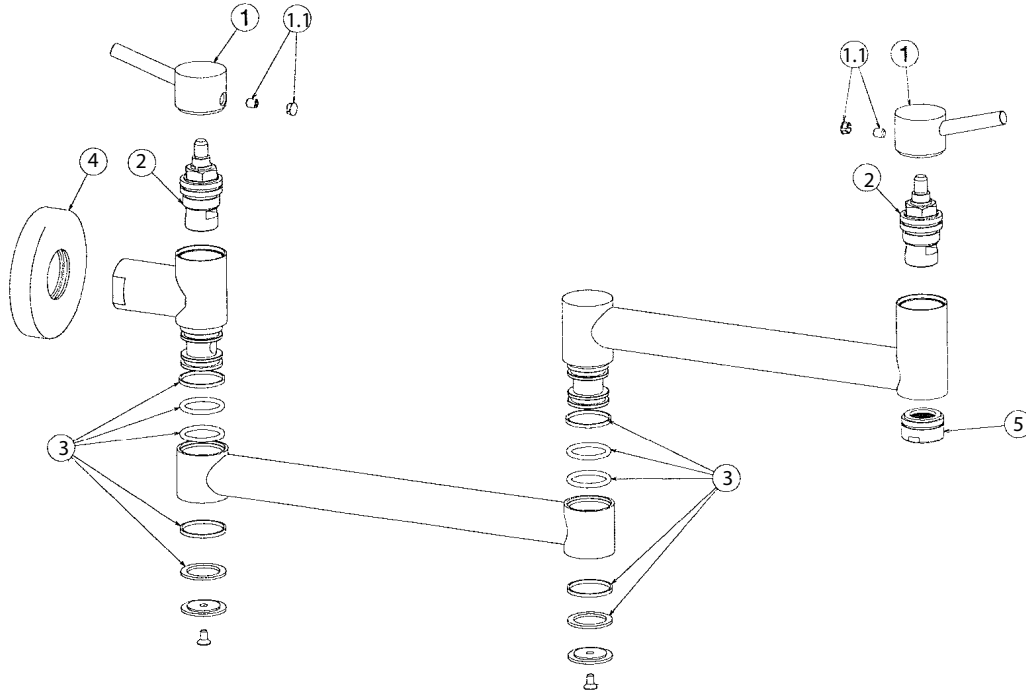
800.451.5782

www.blancoamerica.com

© 2014 BLANCO AMERICA

10/14

SPEC-004



### REPAIR PART GUIDE

Num.	Description	Part #
1, 1.1	Handle w/ screw and cap- Chrome	441854
1.1	Handle - Screw and cap only	440889
2	Cartridge	440764
3	O-ring set	441856
4	Wall flange	441857
5	Aerator	440766

For faucet technical support or questions,  
 please e-mail us at [faucets@blancoamerica.com](mailto:faucets@blancoamerica.com)