

FEATURED MODEL

441616 Compact Pull-Out, ANTHRACITE & CHROME MIX

ADDITIONAL MODELS

- 441617 Compact Pull-Out, BISCOTTI & CHROME MIX
- 441492 Compact Pull-Out, SATIN NICKEL
- 441618 Compact Pull-Out, CAFE BROWN & CHROME MIX
- 441493 Compact Pull-Out, CHROME
- 441619 Compact Pull-Out, CINDER & CHROME MIX
- 441620 Compact Pull-Out, TRUFFLE & CHROME MIX
- 441621 Compact Pull-Out, WHITE & CHROME MIX

FEATURES

- Solid brass body
- Ceramic disk cartridge
- Extendable dual pull-out spray
- 1.8 GPM flow rate
- Installation in a 1-3/8" hole
- Color coded hot and cold supply lines
- 130 degree spout swivel
- 1-3/4" maximum deck thickness

OPTIONAL ACCESSORIES

- Alta Soap Dispenser: 440047 (Anthracite)
- Alta Soap Dispenser: 440046 (Chrome)

CODE/STANDARDS COMPLIANCE

- ASME A112.18.1-2011
- NSF 61 certified
- NSF 61 ANEX G low lead requirements

AB1953 Lead Free

Listed with California Energy Commission
CMR 248 - MA

WARRANTY

BLANCO'S kitchen and bar faucets feature a LIMITED LIFETIME WARRANTY to be free of all manufacturing defects under normal use. See our complete warranty for details.

While BLANCO endeavors to provide accurate information, all dimensions are nominal, cannot be guaranteed, and are subject to change or cancellation. BLANCO assumes no responsibility for use of superseded or voided specifications.

JOB INFORMATION

Job Name: _____

Contact: _____

Date Specified: _____

Specifier: _____

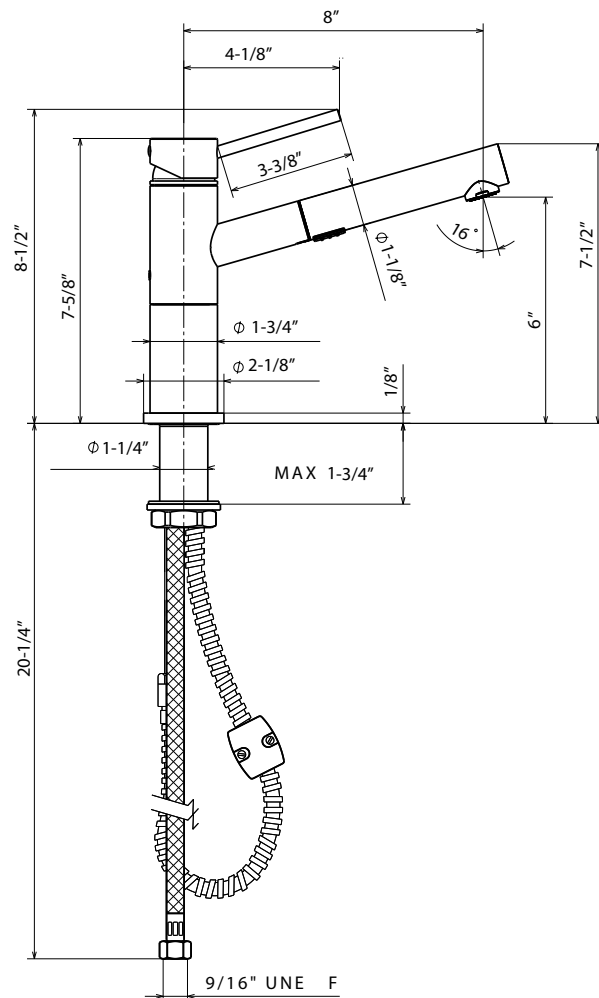
Contractor: _____



NOMINAL DIMENSIONS

Model 441616 shown

REACH	SPOUT HEIGHT	FAUCET HEIGHT
8"	6"	8-1/2"



See next page for exploded parts drawing and parts list.

BLANCO AMERICA

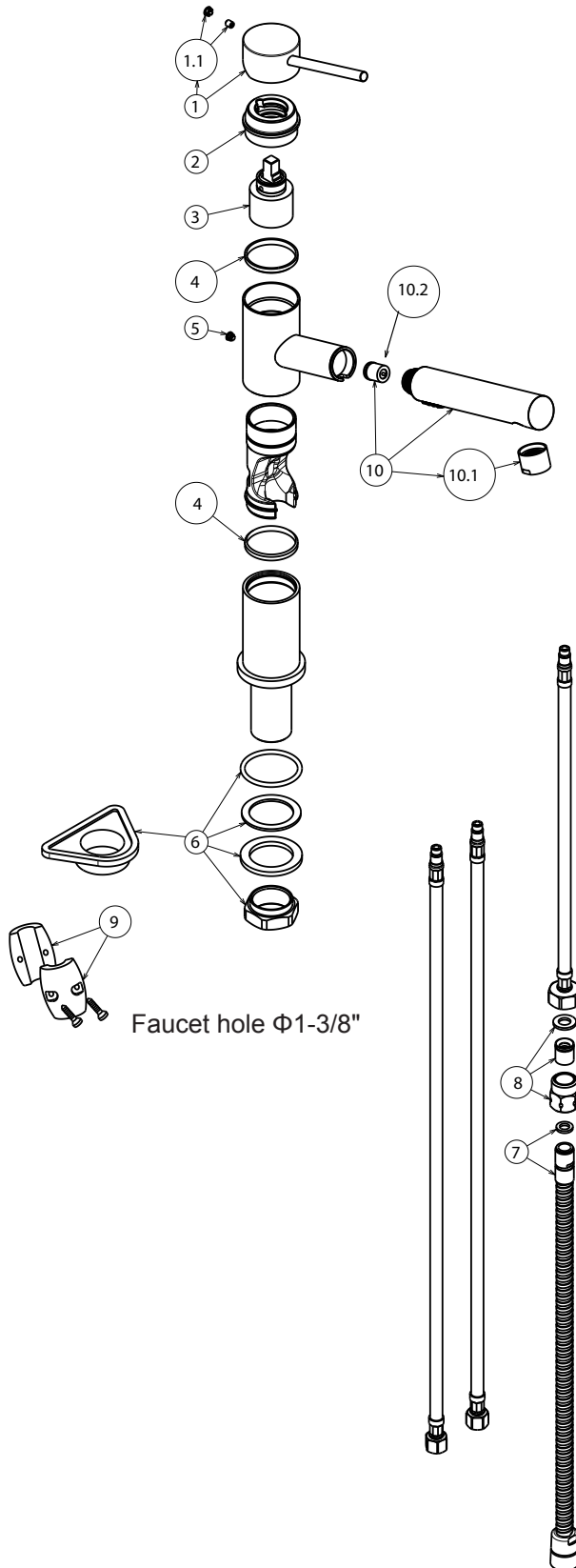
800.451.5782

www.blancoamerica.com

© 2013 BLANCO AMERICA

10/14

SPEC-004



REPAIR PART GUIDE

Num.	Description	Part #
1, 1.1	Handle - Chrome	441887
1.1	Handle - Screw and Cap	440889
2	Cartridge lock nut	441889
3	Cartridge	440877
4,5	Inner body ring set and screw	441891
6	Mounting assembly	441892
7	Spray hose	440878
8	Check valve	441874
9	Weight	441917
10	Handspray - Chrome 1.8 GPM	441931
10.1	Aerator	440905
10.2	Flow regulator 1.8 GPM	441445

Need to Change a Faucet Cartridge?



Scan this QR code
to see our how-to video

For faucet technical support or questions,
please e-mail us at faucets@blancoamerica.com