

### FEATURED MODEL

441492 Compact Pull-Out Dual 1.8, SATIN NICKEL

### ADDITIONAL MODELS

441493 Compact Pull-Out Dual 1.8, CHROME

### FEATURES

- Solid brass body
- Meets CALGREEN requirements for water-saving usage
- Ceramic disk cartridge
- Extendable dual pull-out spray
- 1.8 GPM flow rate saves 20% more water
- Installation in a 1-3/8" hole
- Color coded hot and cold supply lines
- 130 degree spout swivel
- 1-3/4" maximum deck thickness

### OPTIONAL ACCESSORIES

Alta Soap Dispenser: 440045 (Satin Nickel)

### CODE/STANDARDS COMPLIANCE

ASME A112.18.1-2011  
NSF 61 certified  
NSF 61 ANEX G low lead requirements

**AB1953 Lead Free**

Listed with California Energy Commission  
CMR 248 - MA

### WARRANTY

BLANCO'S kitchen and bar faucets feature a LIMITED LIFETIME WARRANTY to be free of all manufacturing defects under normal use. See our complete warranty for details.

While BLANCO endeavors to provide accurate information, all dimensions are nominal, cannot be guaranteed, and are subject to change or cancellation. BLANCO assumes no responsibility for use of superseded or voided specifications.

### JOB INFORMATION

Job Name: \_\_\_\_\_

Contact: \_\_\_\_\_

Date Specified: \_\_\_\_\_

Specifier: \_\_\_\_\_

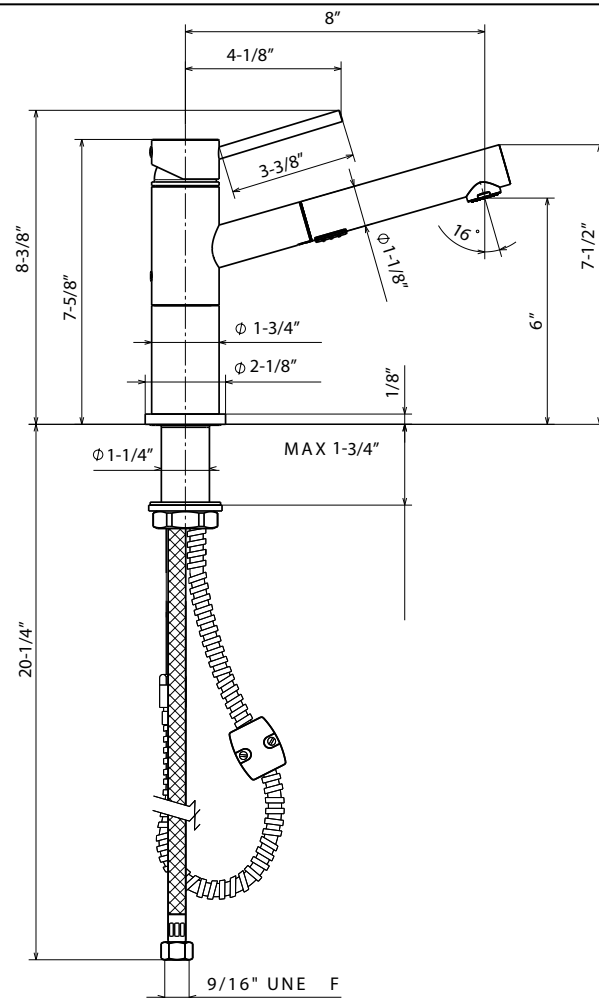
Contractor: \_\_\_\_\_



### NOMINAL DIMENSIONS

Model 441493 shown

REACH	SPOUT HEIGHT	FAUCET HEIGHT
8"	6"	8-1/2"



See next page for exploded parts drawing and parts list.

**BLANCO AMERICA**

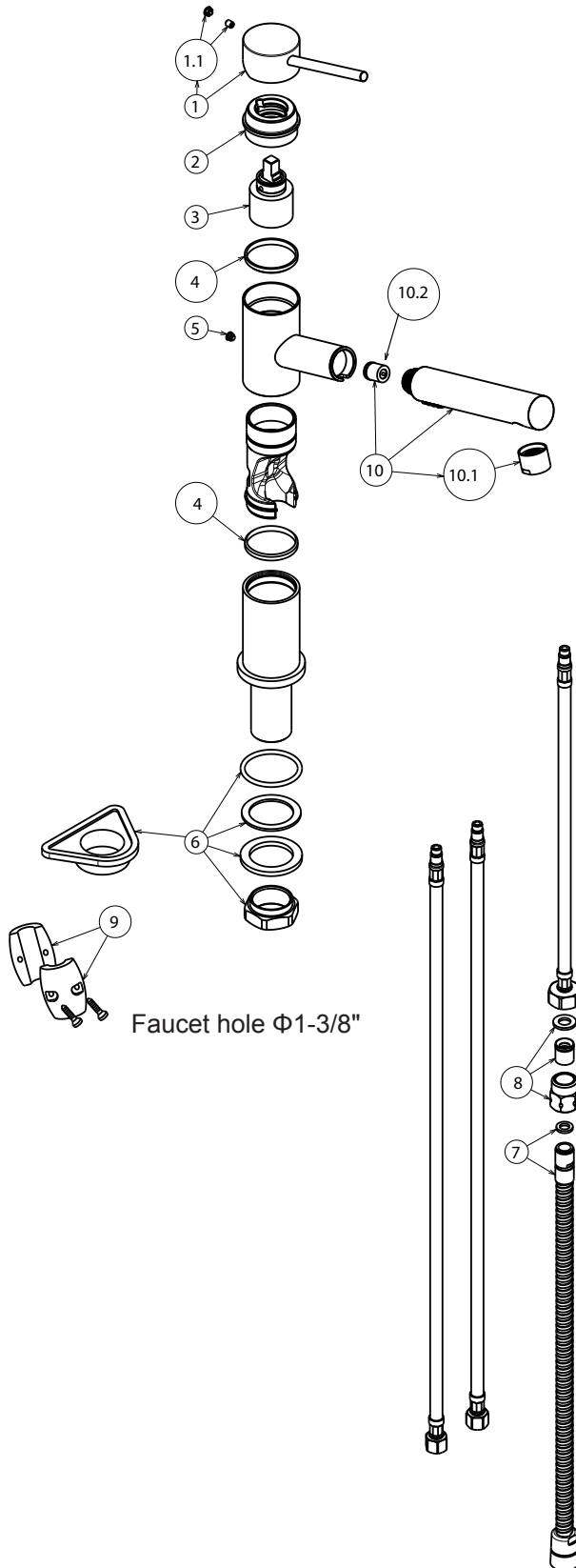
800.451.5782

www.blancoamerica.com

© 2013 BLANCO AMERICA

10/14

SPEC-004



### REPAIR PART GUIDE

Num.	Description	Part #
1,1.1	Handle - Satin Nickel	441888
1.1	Handle screw and cap	440890
2	Cartridge lock nut	441890
3	Cartridge	440877
4,5	Inner body ring set and screw	441891
6	Mounting assembly	441892
7	Spray hose	440878
8	Check valve	441874
9	Weight	441917
10	Handspray - Satin Nickel 1.8 GPM	441932
10.1	Aerator	440906
10.2	Flow regulator 1.8 GPM	441445

### Need to Change a Faucet Cartridge?



Scan this QR code  
to see our how-to video

For faucet technical support or questions,  
please e-mail us at [faucets@blancoamerica.com](mailto:faucets@blancoamerica.com)