

## Aquia® Thermostatic Mixing Valve Trim

### FEATURES

- Temperature control trim with anti-scald safety stop
- For use with Thermostatic Mixing Valve (TSST)

### COLORS/FINISHES

- #CP Polished Chrome
- #BN Brushed Nickel
- #PN Polished Nickel

### CODES/STANDARDS

- Meets or exceeds ASME A112.18.1/CSA B125.1
- Certifications: IAPMO(cUPC), State of Massachusetts and others
- Code Compliance: UPC, IPC, NSPC, NPC Canada, and others



### PRODUCT SPECIFICATION

Thermostatic mixing valve trim shall have temperature control trim with anti-scald safety stop. Product shall be TOTO Model TS416T#\_\_\_\_ and required thermostatic mixing valve shall be TSST sold separately.

# TS416T

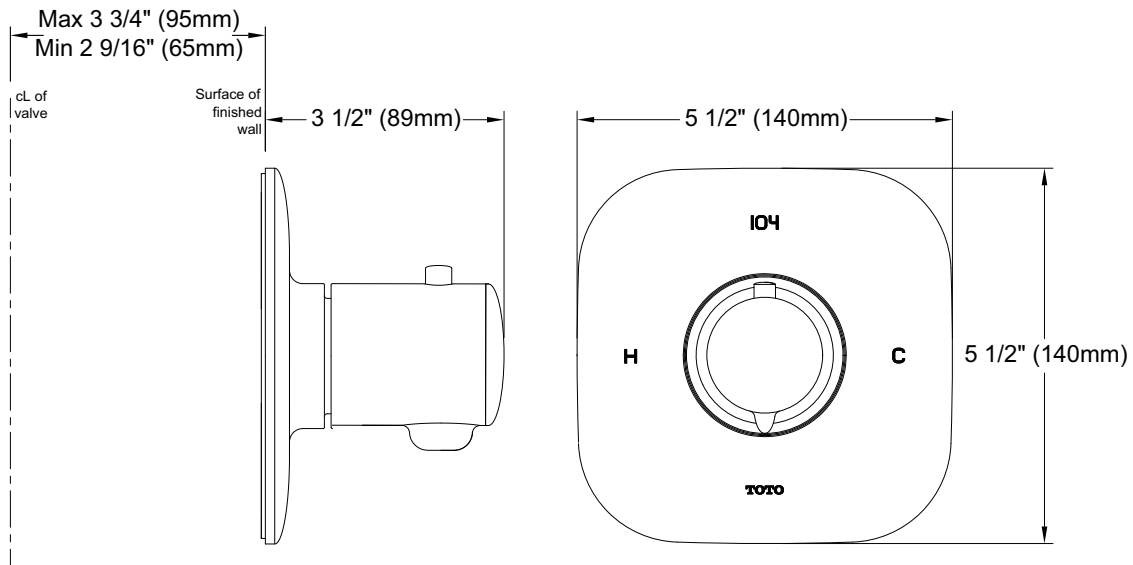
## Aquia® Thermostatic Mixing Valve Trim

### SPECIFICATIONS

- Warranty Lifetime Limited Warranty (Residential Use)  
One Year (Commercial Use)
- Material Brass
- Shipping Weight 3.2 lbs.
- Shipping Dimensions 11" L x 12-3/8" W x 3-5/8" H

### INSTALLATION NOTES

**VALVE REQUIRED:**  
1/2" Thermostatic mixing valve, model TSST sold separately.



**TOTO®**

*These dimensions and specifications are subject to change without notice*