

### FEATURED MODEL

518171 Medium, 9" bowl depth

### FEATURES

- Required outside cabinet: 30"
- 18 gauge, 304 series stainless steel
- Premium 18/10 chrome/nickel content
- Satin Finish
- Rear drain placement
- Sound deadening pads

### OPTIONAL ACCESSORIES

|                             |        |
|-----------------------------|--------|
| Stainless Steel Sink Grid:  | 223191 |
| Glass Cutting Board:        | 224390 |
| Colander:                   | 224387 |
| Workstation:                | 441741 |
| Ash Compound Cutting Board: | 231609 |
| Magnetic Sink Caddy:        | 230694 |

### CODE/STANDARDS COMPLIANCE

ASME 112.19.3-00  
IAPMO/UPC listed

### WARRANTY

Blanco America's Stainless Steel sinks feature a LIMITED LIFETIME WARRANTY to be free of all manufacturing defects under normal use. See our complete warranty for details.

While Blanco America endeavors to provide accurate information, all dimensions are nominal, cannot be guaranteed, and are subject to change or cancellation. Blanco America assumes no responsibility for use of superseded or voided specifications.

### JOB INFORMATION

Job Name: \_\_\_\_\_

Contact: \_\_\_\_\_

Date Specified: \_\_\_\_\_

Specifier: \_\_\_\_\_

Contractor: \_\_\_\_\_

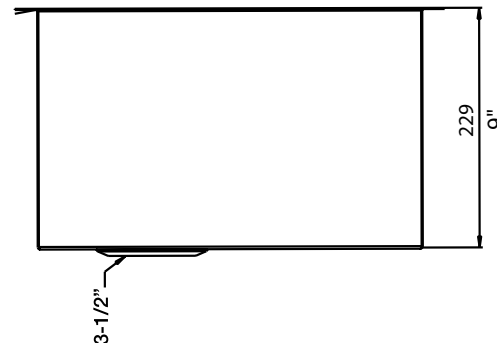
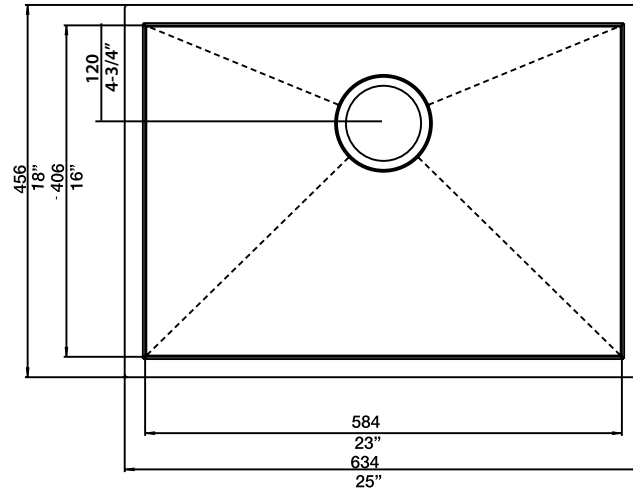


### NOMINAL DIMENSIONS

Model 518171 shown

| OVERALL   | CUT OUT SIZE                                   | BOWL DEPTH | DRAIN  |
|-----------|--|------------|--------|
| 25" x 18" | Template provided with approximate 1/8" reveal | 9"         | 3-1/2" |

DXF cutout templates available on our website.



### BLANCO AMERICA

800.451.5782

www.blancoamerica.com

© 2013 BLANCO AMERICA

7/13

SPEC-003