

DROP-IN SINKS

Stainless Steel and Silgranit®

These instructions are for installing Blanco drop-in stainless steel and SILGRANIT® sinks. Drop-in sinks are sinks that are installed from above the countertop and sealed to the top of the counter. If you are installing another type of sink, such as an Undermount sink which sits below the countertop, please refer to instructions specifically for those sinks.

Templates are supplied only as a guide. The physical use of the sink will ensure a more accurate cutout.

Note: It is recommended that all countertops be cut by an approved or certified installer and that the sinks be installed by the installer whenever possible. The countertop/sink unit ideally should be installed as one on the jobsite.

Before installing the sink, inspect it for damage. Do not install a damaged unit.

Remember, it is your responsibility to follow all local plumbing and building codes.

The warranty will be voided if these installation instructions are not followed.

TOOLS AND MATERIALS YOU WILL NEED

Eye protection (safety glasses/goggles) strongly recommended	Slotted screwdriver medium size, long blade/ easiest
Ear protection strongly recommended	Tape measure
Drop-in template supplied by Blanco	Pencil (not permanent marker)
Drop-in mounting clips supplied by Blanco	Ball peen hammer (6 oz.)
Cutting tool and blades appropriate for the countertop material	File
	Appropriate sealant for countertop material
Drill and drill bit	Rags
Wood braces	

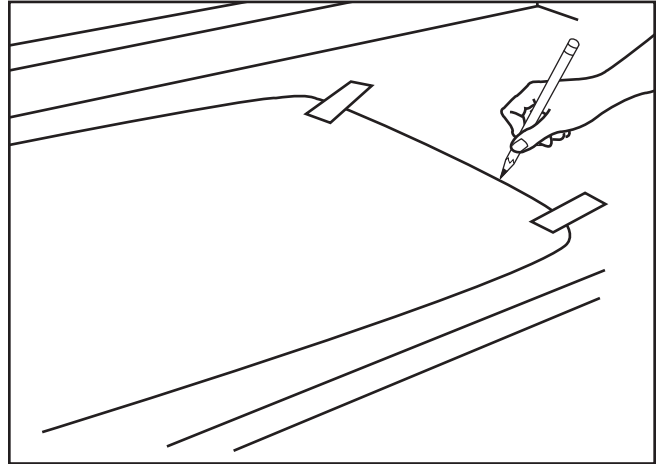
STEP 1 (Recommended for professional installers only.)

Cut out the template and place it on the countertop, making sure that the sink front is parallel to the front of the counter. Be sure the sink is properly centered, both front to back and side to side.

Check for adequate clearance relative to cabinet walls and pull-out or tilt-down drawers.

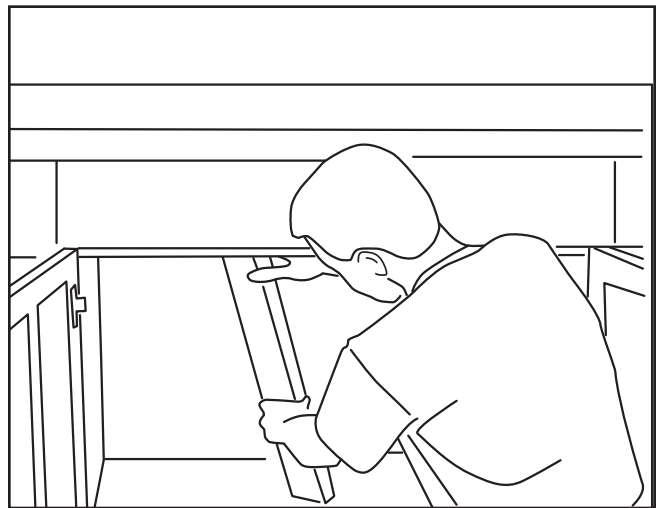
Tape the template in place.

Trace around the template.

**STEP 2** (Recommended for professional installers only.)

Place a brace under the countertop to support the sink cutout area. This will also make it easier to do the sink cutout.

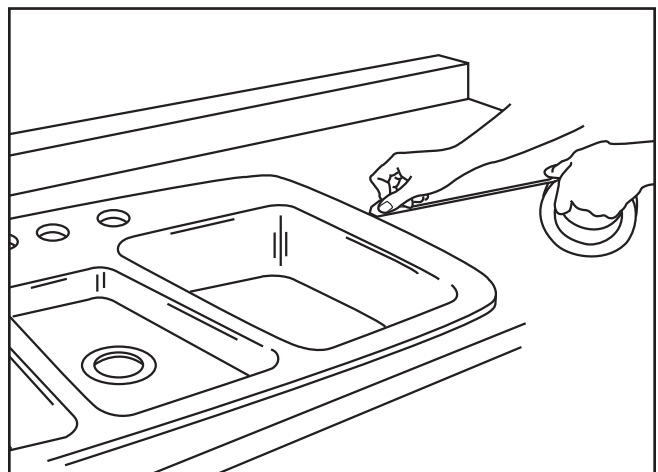
Cut the countertop along the template line with the proper tool for the countertop material.

**STEP 3** (Recommended for professional installers only.)

Trial fit the sink, by inserting it into the countertop to test whether the cutout is the correct size.

Mark the edge of the sink with masking tape on the countertop.

Remove the sink and make any necessary adjustments in the cutout or placement. (The easiest way to handle the sink is via the drain hole or holes, especially if it's a double-bowl model.)



STEP 4 (Recommended for professional installers only.)

Install faucets and other accessories such as a side spray or soap/lotion dispenser onto the sink. (Do not install drainer basket until after the sink is in place.)

ADDITIONAL HOLE KNOCKOUTS**FOR SILGRANIT® SINKS**

Please be sure to make any additional accessory holes before sink installation.

- 1) Holes for faucet fixtures and accessories have been pre-drilled from underneath and are marked on the the top surface by white dots centered above the holes. Make sure you check the current position of the dots before you hammer, as dots may shift in very hot weather.
- 2) Put the foam packing parts back into the box and place sink on top of box.
- 3) Tap the white dots over the pre-cut holes lightly with a 6 ounce ball peen hammer *(while holding your hand against the underside of the hole to support the sink)*.
- 4) Trim the hole with the small end of the ball peen hammer or use a fine file.

WARNING: WARRANTY WILL BE VOIDED IF THESE INSTRUCTIONS ARE NOT FOLLOWED.

STEP 5 (Recommended for professional installers only.)

Snap mounting clips into position on the sink at evenly spaced intervals.

STEP 6 (Recommended for professional installers only.)

Run a bead of the appropriate sealant inside the masking tape.

INSTALLATION INSTRUCTIONS • DROP-IN SINKS

STEP 7 (Recommended for professional installers only.)

Lower the sink into the hole, following the guidelines created by the masking tape.

Turn mounting clips against the underside of the countertop and tighten with screwdriver.

NOTE: Do not fully tighten one clip at a time. Partially tighten a clip, then partially tighten the clip across from it. After each clip is partially tightened, repeat the process, fully tightening each clip. This ensures a secure installation and avoids damage to the sink.

(See Torque Sequence Chart).

STEP 8 (Recommended for professional installers only.)

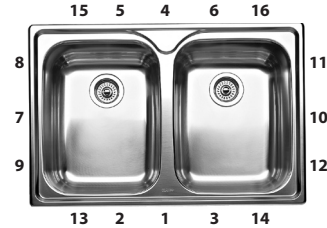
Remove excess sealant if any.

Install strainer basket.

STAINLESS STEEL TORQUE SEQUENCE CHART

~ FOR DROP-IN SINKS ONLY ~

PROPER TORQUE SEQUENCE CHART FOR BLANCO 33" BY 22" STAINLESS STEEL SINKS



PROPER TORQUE SEQUENCE CHART FOR BLANCO 25" BY 22" STAINLESS STEEL SINKS



PROPER TORQUE SEQUENCE CHART FOR BLANCO 38" BY 22" STAINLESS STEEL SINKS



LEGAL DISCLAIMER

All technical data and information provided in this publication is done as a public service to customers of Blanco America, Inc. ("Blanco") and consumers of our products. All names, designs, and model numbers of products are trademarks of Blanco. Prices and specifications of Blanco's products are subject to change without notice or obligation. Blanco may also change or discontinue models of its products without notice or obligation. While Blanco endeavors to provide you with accurate information and descriptions of its products, accuracy and completeness cannot be guaranteed. Blanco is not responsible for, nor does it have any liability for any mistakes or typographical errors, including liability for incidental, consequential, or special damages. All products should be inspected and measured promptly upon delivery and certainly before any improvements or alterations are done in anticipation of or preparation for installation. Blanco assumes no liability for the use of such information or for any damages incurred through its use or application.

Nothing contained in this publication is to be construed as contractual or providing any form of warranty or representation on the part of Blanco. **BLANCO MAKES NO WARRANTIES, EXPRESS OR IMPLIED, INCLUDING BUT NOT LIMITED TO ANY WARRANTY OF MERCHANTABILITY OR OF FITNESS FOR A PARTICULAR PURPOSE, AS TO THE INFORMATION CONTAINED HEREIN OR THE PRODUCTS DESCRIBED HEREIN.**

BLANCO

THE CORNERSTONE OF EVERY GREAT KITCHEN

Stainless Steel Sinks • Silgranit® Sinks • Kitchen Faucets • Bar Sinks & Faucets • Custom Sink Accessories

BLANCO AMERICA, INC.

www.blancoamerica.com

© 2004 Blanco America, Inc. All Rights Reserved.

3/2004 #000000