

FEATURED MODEL

401732 30" Single, 9-1/4" bowl depth, ANTHRACITE

ADDITIONAL MODELS

401733 30" Single, 9-1/4" bowl depth, CAFE BROWN

401734 30" Single, 9-1/4" bowl depth, WHITE

FEATURES

- Requires modified cabinet: 33" or 36"
- 80% solid granite
- Heat resistant up to 536°F
- Unsurpassed cleanability backed by industry leading 7 patents!
- Resistant to scratches, stains and all household acids and alkali solutions
- Template provided with approximate 1/8" reveal
- Apron front is 10" high
- Rim width is 1-1/2"
- Weight: 50.7 lbs.
- Limited lifetime warranty

OPTIONAL ACCESSORIES

Bottom Sink Grid: 233532

Floating Sink Grid: 233530

CODE/STANDARDS COMPLIANCE

ANSI Z124.6-97

IAPMO/UPC listed

WARRANTY

BLANCO'S SILGRANIT Series sinks feature a LIMITED LIFETIME WARRANTY to be free of all manufacturing defects under normal use. See our complete warranty for details.

While BLANCO endeavors to provide accurate information, all dimensions are nominal, cannot be guaranteed, and are subject to change or cancellation. BLANCO assumes no responsibility for use of superseded or voided specifications.

JOB INFORMATION

Job Name: _____

Contact: _____

Date Specified: _____

Specifier: _____

Contractor: _____

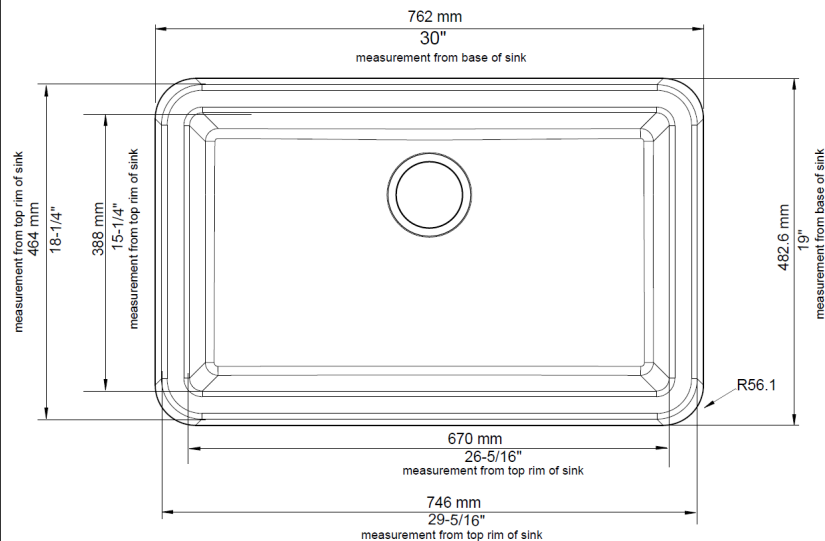
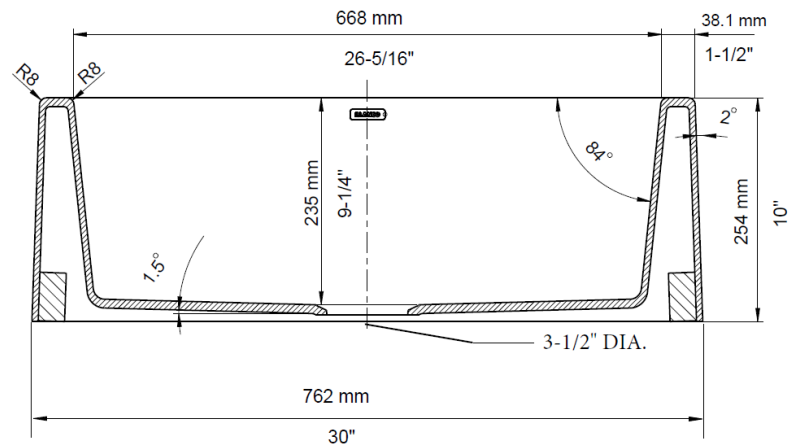


Model 401732 shown

NOMINAL DIMENSIONS

OVERALL	CUTOUT SIZE	BOWL DEPTH	DRAIN DIAMETER
30" x 19"	Template provided with approximate 1/8" reveal	9-1/4"	3-1/2"

DXF cutout templates available on our website.



BLANCO AMERICA

800.451.5782

www.blancoamerica.com

© 2016 BLANCO AMERICA

1/16

SPEC-001