

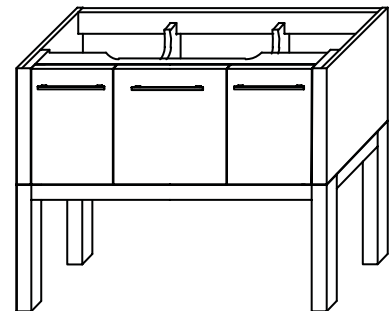
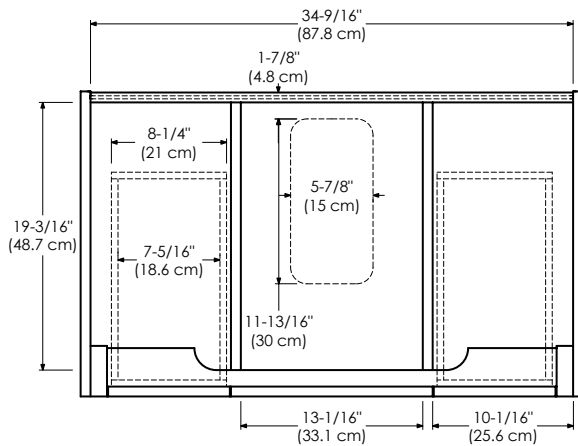
Model: 036836-FINISH

Feature: Soft Close Wood doors
 Soft Close and Full Extension drawers with Dovetail construction
 Under mount glides
 Matching finish throughout the interior
 Optional Metal Feet in Polished Chrome (PC) and Brushed Nickel (BN)
 Optional Drawer Organizer
 Matching Mirror and Medicine Cabinet
 Handles meet USA standards: 5" center to center

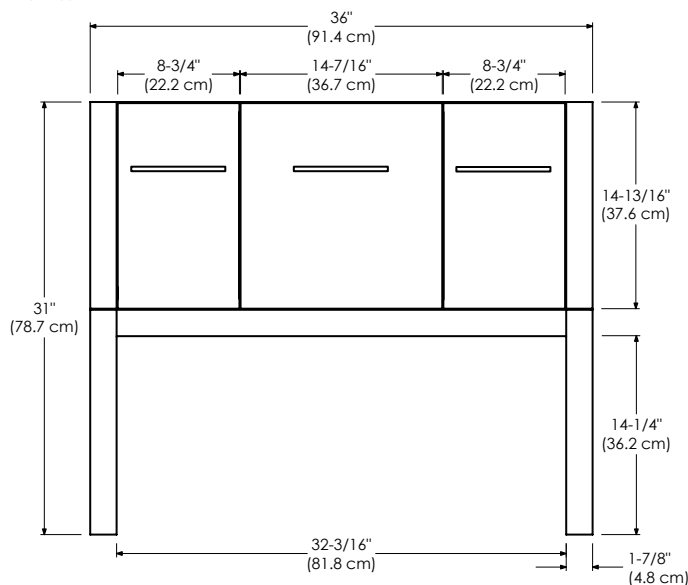
All Ronbow cabinets are made of solid hardwood or hardwood plywood and meet strict CARB Standards. No particle Board or Micro-Density Fiberboard (MDF) are used.

Available finishes:	Available tops:
BLACK B02	CERAMIC SINKTOP
WHITE W01	STONE COUNTER
	TECHSTONE™ TOP
	WIDEAPPEAL™ TOP

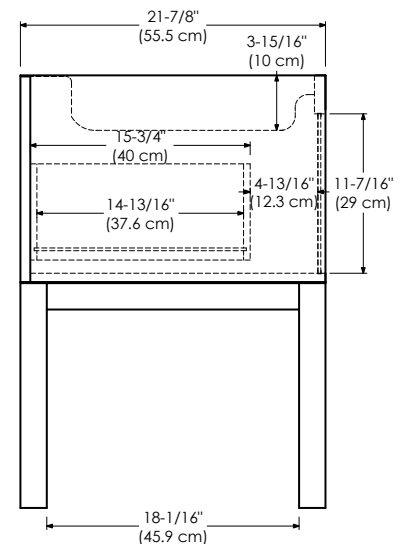
TOP VIEW



FRONT VIEW



SIDE VIEW



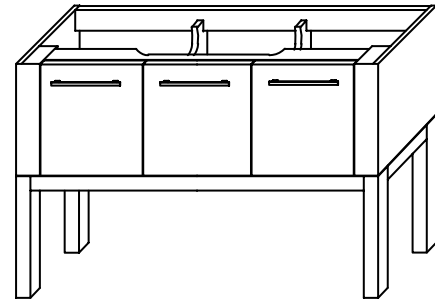
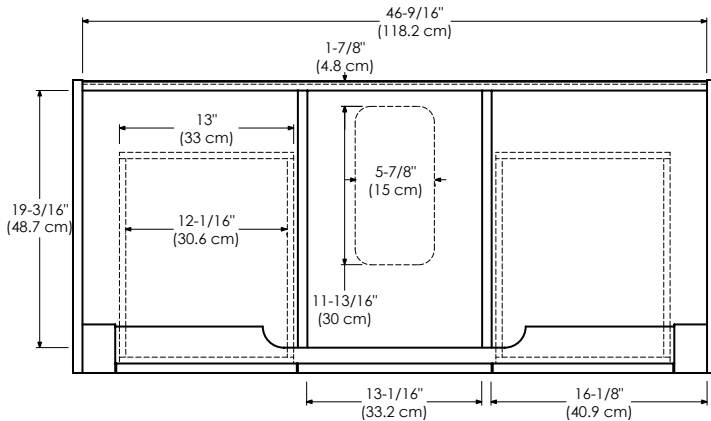
Model: 036836-FINISH

Feature: Soft Close Wood doors
 Soft Close and Full Extension drawers with Dovetail construction
 Under mount glides
 Matching finish throughout the interior
 Optional Metal Feet in Polished Chrome (PC) and Brushed Nickel (BN)
 Optional Drawer Organizer
 Matching Mirror and Medicine Cabinet
 Handles meet USA standards: 5" center to center

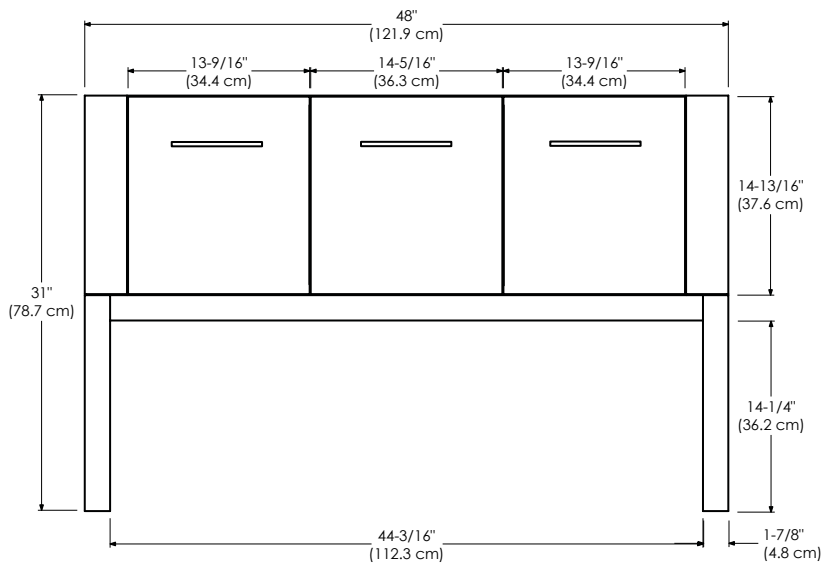
All Ronbow cabinets are made of solid hardwood or hardwood plywood and meet strict CARB Standards. No particle Board or Micro-Density Fiberboard (MDF) are used.

Available finishes:	Available tops:
BLACK B02	CERAMIC SINKTOP
WHITE W01	STONE COUNTER
	TECHSTONE™ TOP
	WIDEAPPEAL™ TOP

TOP VIEW



FRONT VIEW



SIDE VIEW

