

**Model :** 017823-FINISH

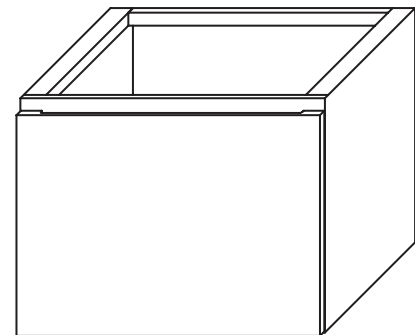
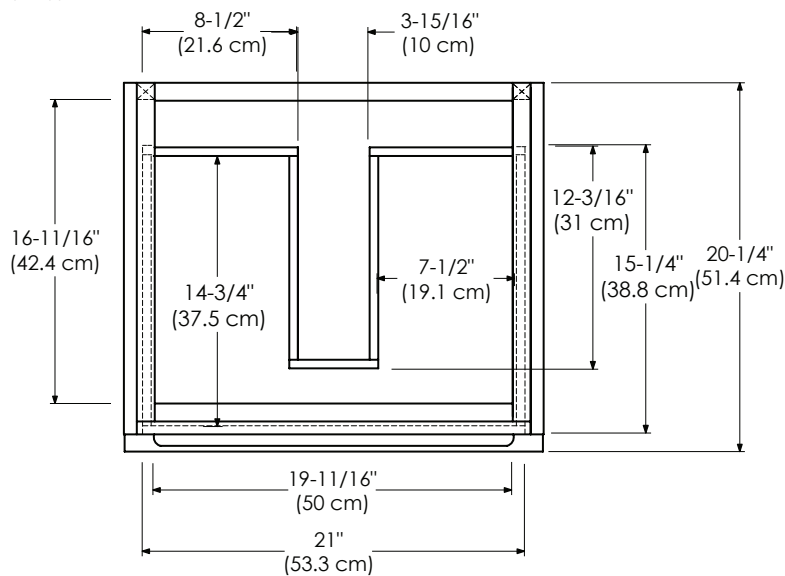
- Features :**
- Soft close and Full Extension drawers with Dovetail construction
  - Under mount glides
  - Matching finish throughout the interior
  - Extend design with optional 12" Drawer Bridge
  - Decorative drawer with glass side panels
  - Optional Drawer Organizer and Motion Sensor LED Light
  - Matching Mirror, Medicine cabinet and Wall cabinet
  - One large drawer with hidden drawer

All Ronbow cabinets are made of solid hardwood or hardwood plywood and meet strict CARB II Standards. No particle board or Micro-Density Fiberboard (MDF) are used.

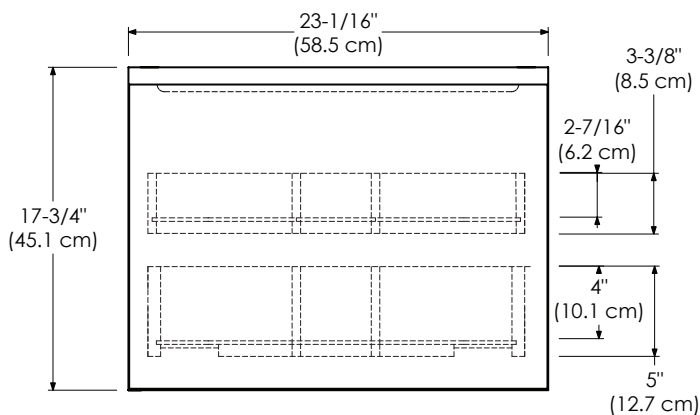
**Available Finish :** BLUSH TAUPE E01  
SLATE GRAY E12  
GLOSSY WHITE E23

**Available Top:** Ceramic Sink Top  
Ceramic Utility Sinktop  
Stone Countertop  
TECHSTONE™ Top  
WIDEAPPEAL™ Top

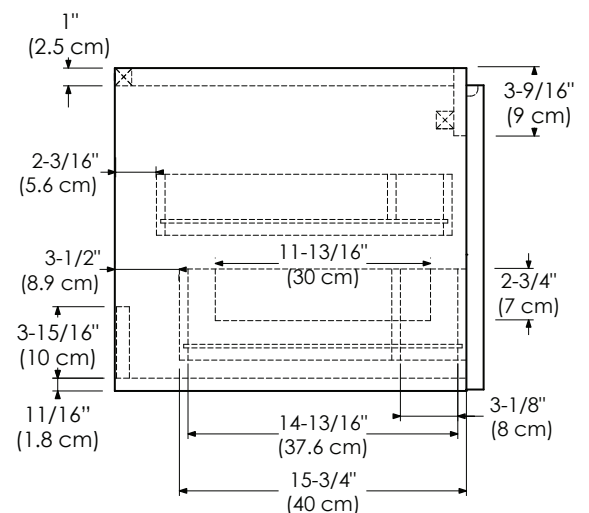
TOP VIEW



FRONT VIEW



SIDE VIEW



**Model :** 034823-FINISH

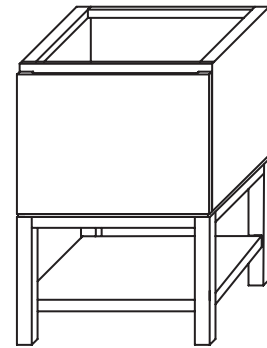
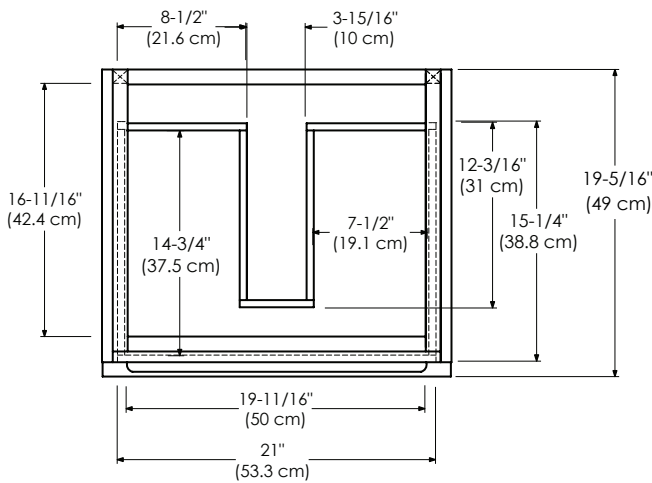
- Features :**
- Soft close and Full Extension drawers with Dovetail construction
  - Under mount glides
  - Matching finish throughout the interior
  - Extend design with optional 12" Drawer Bridge
  - Decorative drawer with glass side panels
  - Optional Drawer Organizer and Motion Sensor LED Light
  - Matching Mirror, Medicine cabinet and Wall cabinet
  - One large drawer with hidden drawer

All Ronbow cabinets are made of solid hardwood or hardwood plywood and meet strict CARB II Standards. No particle board or Micro-Density Fiberboard (MDF) are used.

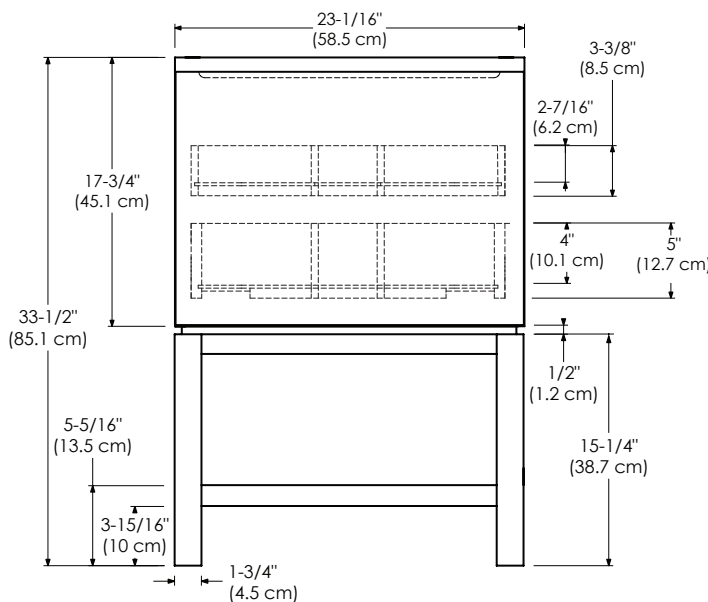
**Available Finish :** BLUSH TAUPE E01  
SLATE GRAY E12  
GLOSSY WHITE E23

**Available Top:** Ceramic Sink Top  
Ceramic Utility Sinktop  
Stone Countertop  
TECHSTONE™ Top  
WIDEAPPEAL™ Top

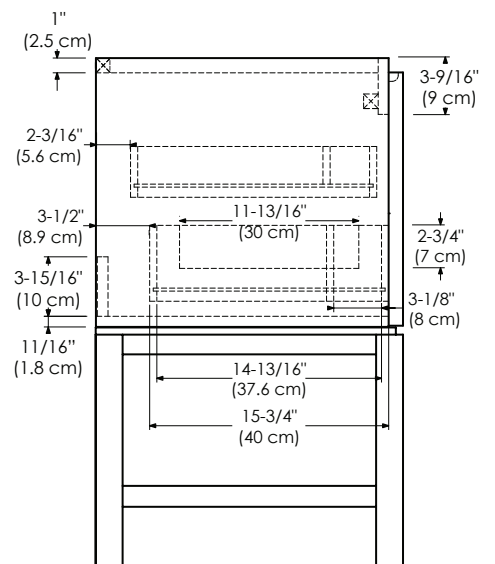
TOP VIEW



FRONT VIEW



SIDE VIEW



**Model :** 017831-FINISH

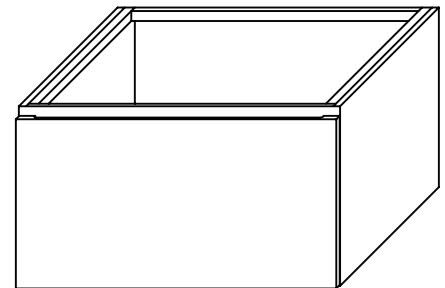
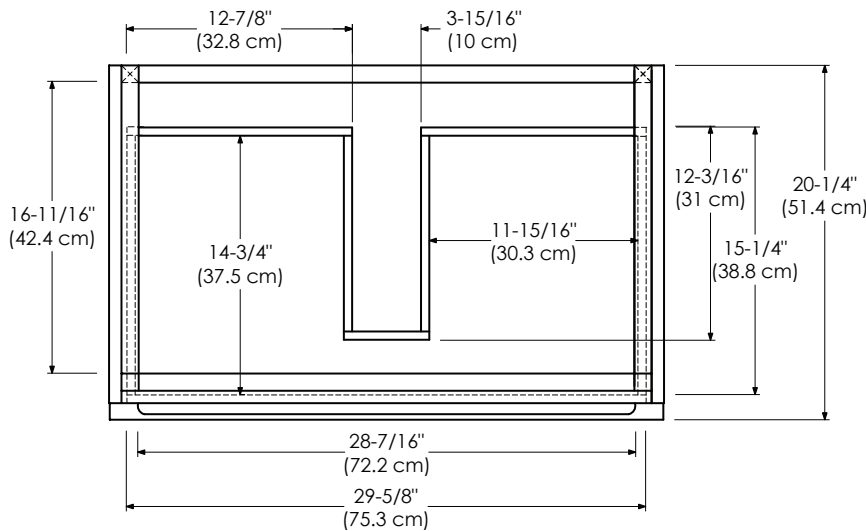
- Features :**
- Soft close and Full Extension drawers with Dovetail construction
  - Under mount glides
  - Matching finish throughout the interior
  - Extend design with optional 12" Drawer Bridge
  - Decorative drawer with glass side panels
  - Optional Drawer Organizer and Motion Sensor LED Light
  - Matching Mirror, Medicine cabinet and Wall cabinet
  - One large drawer with hidden drawer

All Ronbow cabinets are made of solid hardwood or hardwood plywood and meet strict CARB II Standards. No particle board or Micro-Density Fiberboard (MDF) are used.

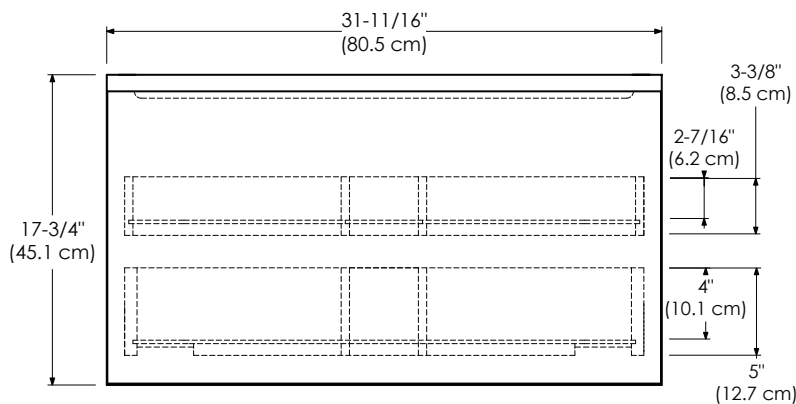
**Available Finish :** BLUSH TAUPE E01  
SLATE GRAY E12  
GLOSSY WHITE E23

**Available Top:** Ceramic Sink Top  
Ceramic Utility Sinktop  
Stone Countertop  
TECHSTONE™ Top  
WIDEAPPEAL™ Top

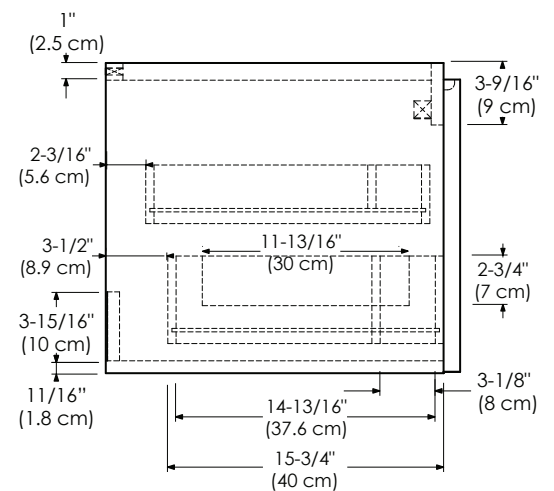
TOP VIEW



FRONT VIEW



SIDE VIEW



**Model : 034831-FINISH**

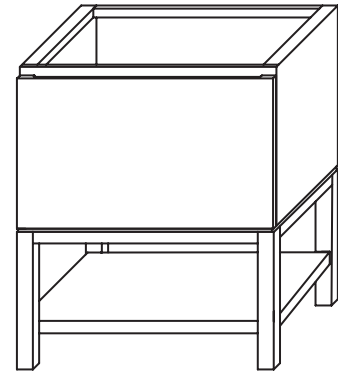
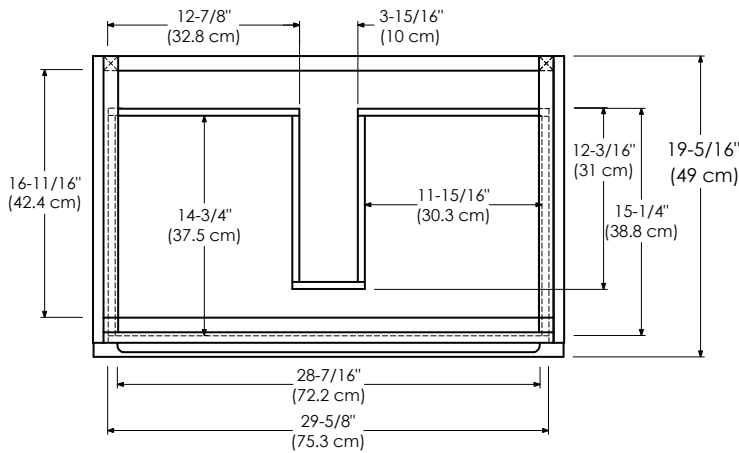
- Features :** Soft close and Full Extension drawers with Dovetail construction  
 Under mount glides  
 Matching finish throughout the interior  
 Extend design with optional 12" Drawer Bridge  
 Decorative drawer with glass side panels  
 Optional Drawer Organizer and Motion Sensor LED Light  
 Matching Mirror, Medicine cabinet and Wall cabinet  
 One large drawer with hidden drawer

All Ronbow cabinets are made of solid hardwood or hardwood plywood and meet strict CARB II Standards. No particle board or Micro-Density Fiberboard (MDF) are used.

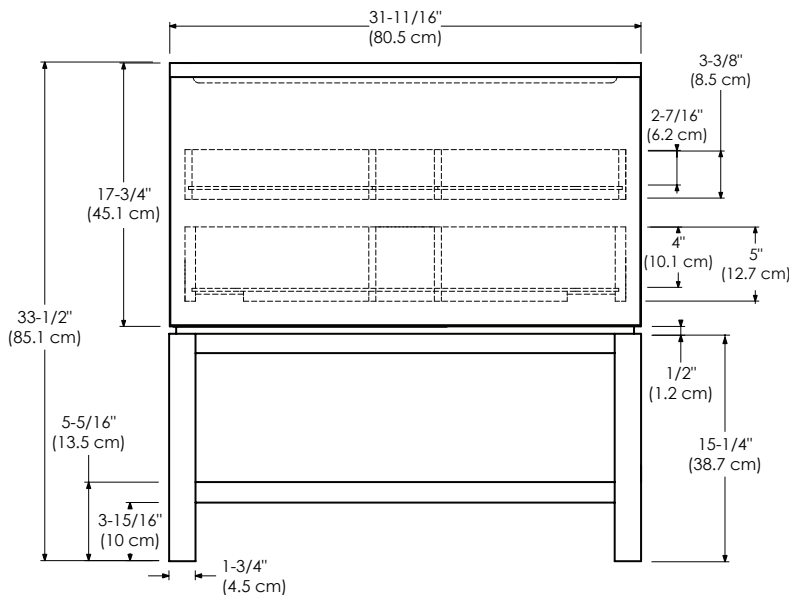
**Available Finish :** BLUSH TAUPE E01  
 SLATE GRAY E12  
 GLOSSY WHITE E23

**Available Top:** Ceramic Sink Top  
 Ceramic Utility Sinktop  
 Stone Countertop  
 TECHSTONE™ Top  
 WIDEAPPEAL™ Top

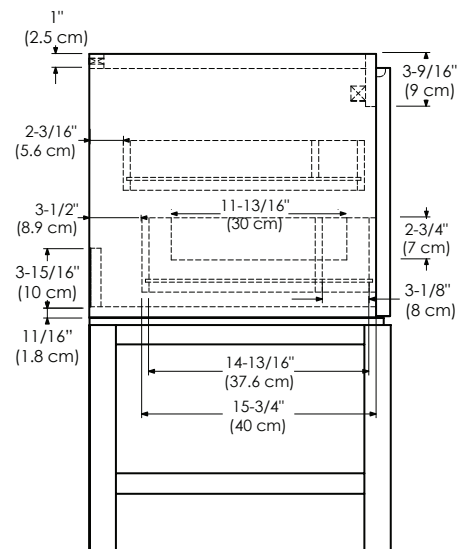
TOP VIEW



FRONT VIEW



SIDE VIEW



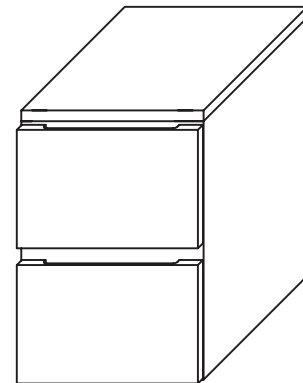
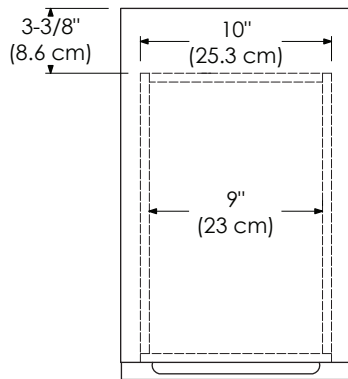
**Model :** 632512-FINISH

**Features :** Soft Close and Full Extension drawers with dovetail construction  
Undermount glides  
Matching Finish throughout the interior

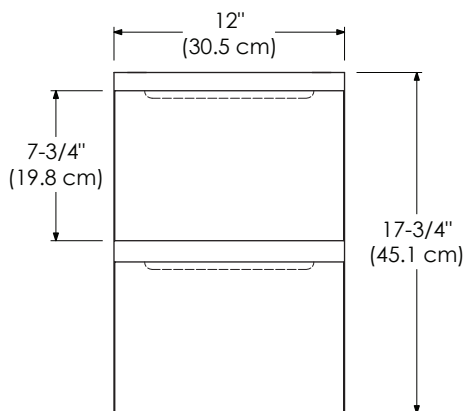
All Ronbow cabinets are made of solid hardwood or hardwood plywood and meet strict CARB II Standards. No particle board or Micro-Density Fiberboard (MDF) are used.

**Available Finish :** BLUSH TAUPE E01  
SLATE GRAY E12  
GLOSSY WHITE E23

TOP VIEW



FRONT VIEW



SIDE VIEW

