

MODEL: 018936-L-FINISH  
018936-R-FINISH

SPECIFICATION SHEET

WALL-HUNG COLLECTION

- Soft Close and Full Extension drawers with Dovetail construction
- Under mount glides
- Matching finish throughout the interior
- Decorative drawer with glass side panels
- Optional Drawer Organizer and Motion Sensor LED Light
- Matching Mirror, Medicine Cabinet and Wall Cabinet
- One large drawer with hidden drawer

All Ronbow cabinets are made of solid hardwood or hardwood plywood and meet strict CARB Standards. No particle Board or Micro-Density Fiberboard (MDF) are used.

Available finishes:

BLUSH TAUPE E01

SLATE GRAY E12

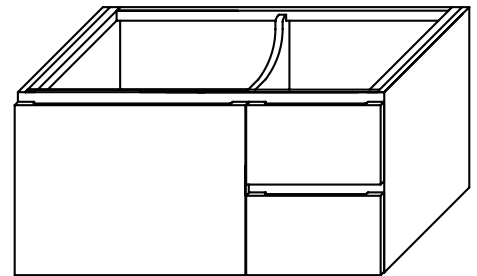
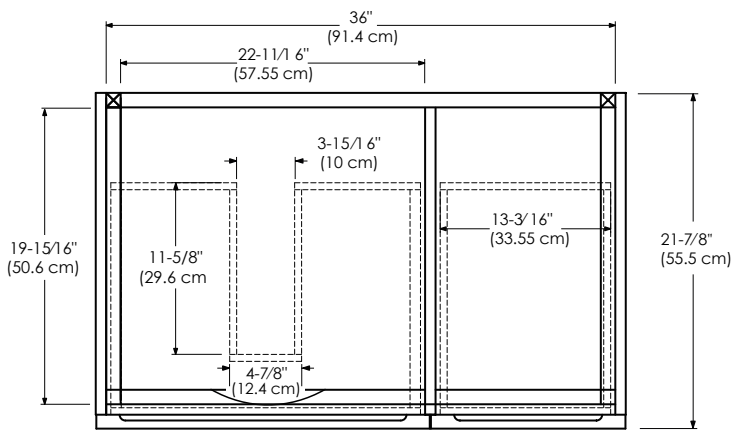
GLOSSY WHITE E23

Available tops:

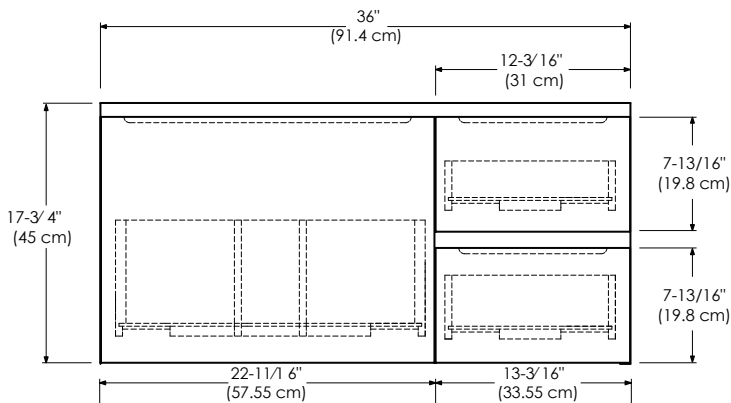
TECHSTONE™ TOP

Shown as left (L)

TOP VIEW



FRONT VIEW



SIDE VIEW

