

**Model :** 053930-FINISH

- Features :**
- Iron towel bar
  - Open bottom shelf
  - Matching Soap Tray and Mirror
  - Open
  - Wood is intentionally distressed and accented with a Rustic Pine finish to create an antique design on a new piece of furniture
  - Mortise and tenon joints

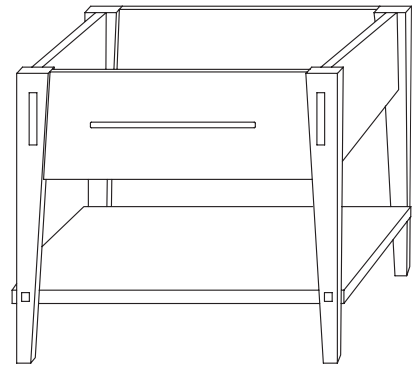
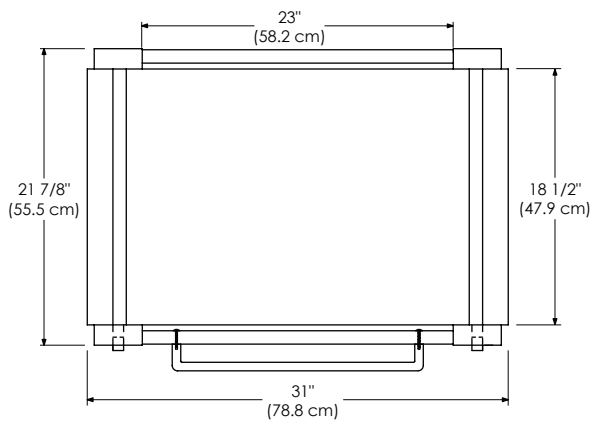
All Ronbow cabinets are made of solid hardwood or hardwood plywood and meet strict CARB II Standards. No particle board or Micro-Density Fiberboard (MDF) are used.

**Available Finish :** Rustic Pine F19

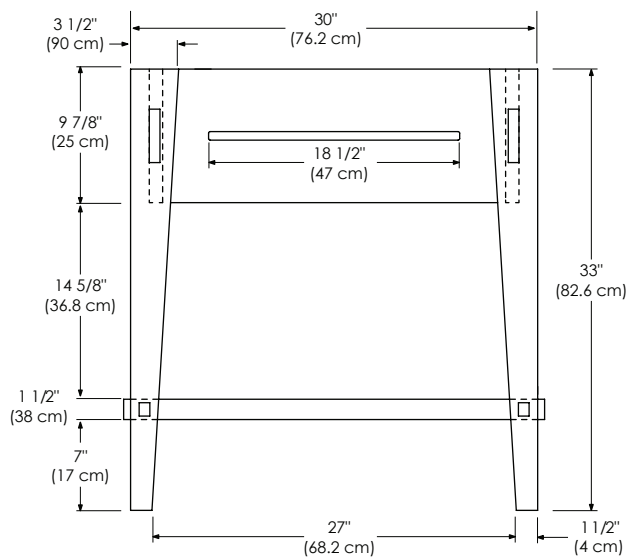
**Available Top:**

- Ceramic Sink Top
- Ceramic Utility Sinktop
- Stone Countertop
- TECHSTONE™ Top
- WIDEAPPEAL™ Top

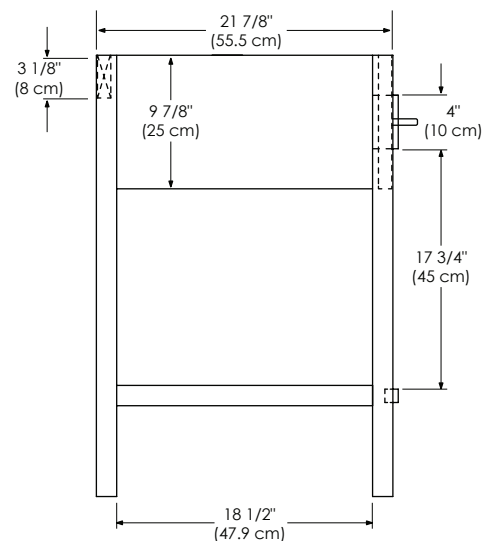
TOP VIEW



FRONT VIEW



SIDE VIEW



**Model :** 053936-FINISH

**Features :** Iron towel bar  
 Open bottom shelf  
 Matching Soap Tray and Mirror  
 Wood is intentionally distressed and accented with a Rustic Pine finish to create an antique design on a new piece of furniture  
 Mortise and tenon joints

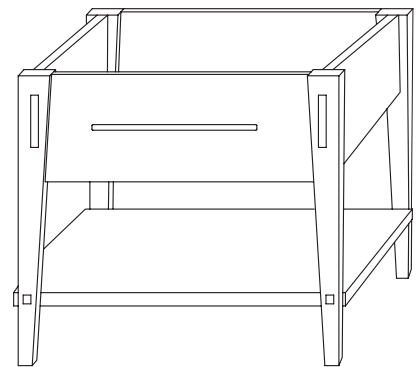
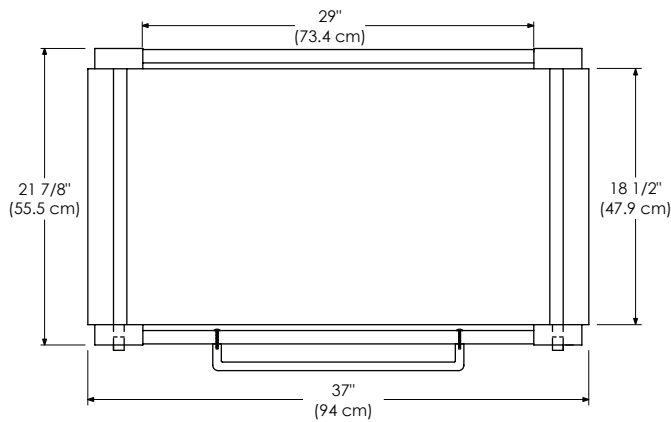
All Ronbow cabinets are made of solid hardwood or hardwood plywood and meet strict CARB II Standards. No particle board or Micro-Density Fiberboard (MDF) are used.

**Available Finish :** Rustic Pine F19

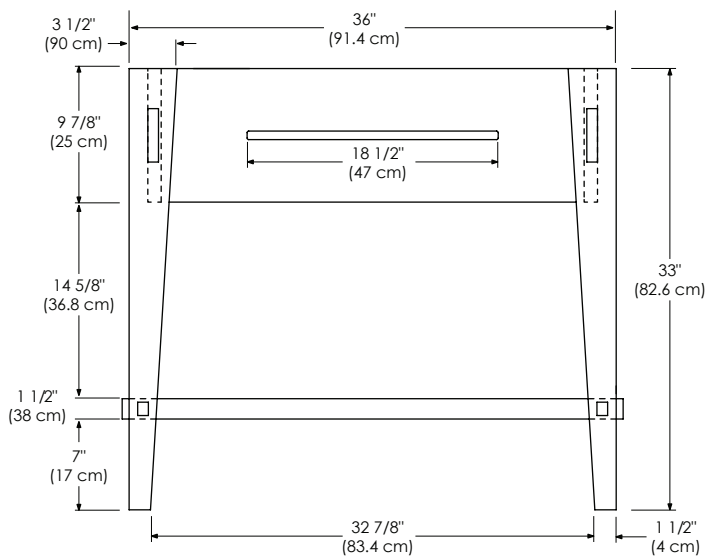
**Available Top:**

Ceramic Sink Top  
 Ceramic Utility Sinktop  
 Stone Countertop  
 TECHSTONE™ Top  
 WIDEAPPEAL™ Top

TOP VIEW



FRONT VIEW



SIDE VIEW

