

Soft close and Full Extension drawers with Dovetail construction  
 Under mount glides  
 Matching finish throughout the interior  
 Extend design with optional 12" Drawer Bridge  
 Decorative drawer with glass side panels  
 Optional Drawer Organizer and Motion Sensor LED Light  
 Matching Mirror, Medicine cabinet and Wall cabinet  
 One large drawer with hidden drawer

All Ronbow cabinets are made of solid hardwood or hardwood plywood and meet strict CARB Standards.  
 No particle Board or Micro-Density Fiberboard (MDF) are used.

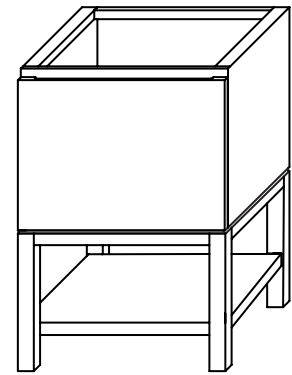
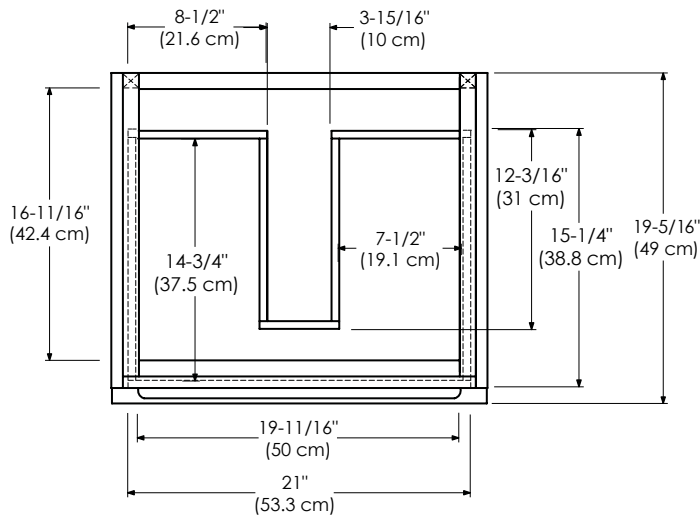
Available finishes:

- BLUSH TAUPE E01
- SLATE GRAY E12
- GLOSSY WHITE E23

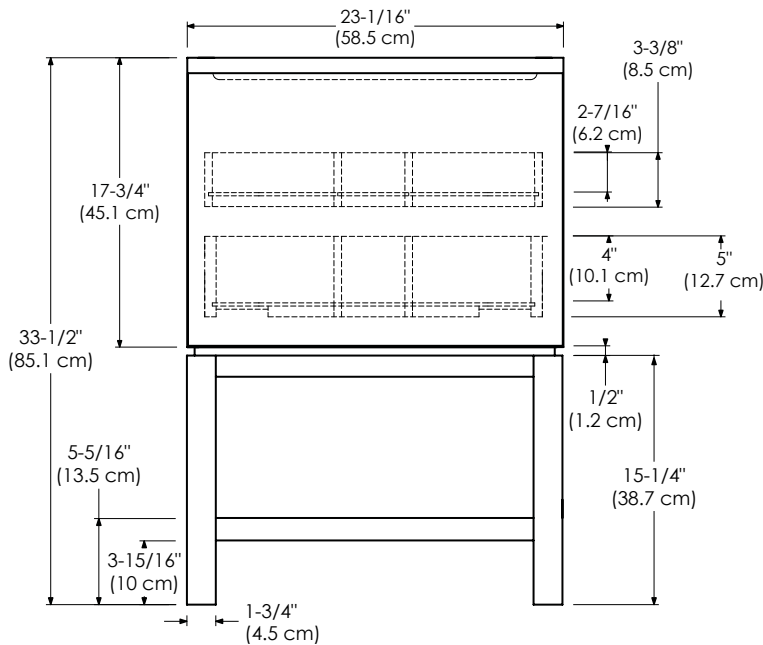
Available tops:

- CERAMIC SINKTOP
- GLASS SINKTOP
- TECHSTONE™ TOP
- WIDEAPPEAL™ TOP

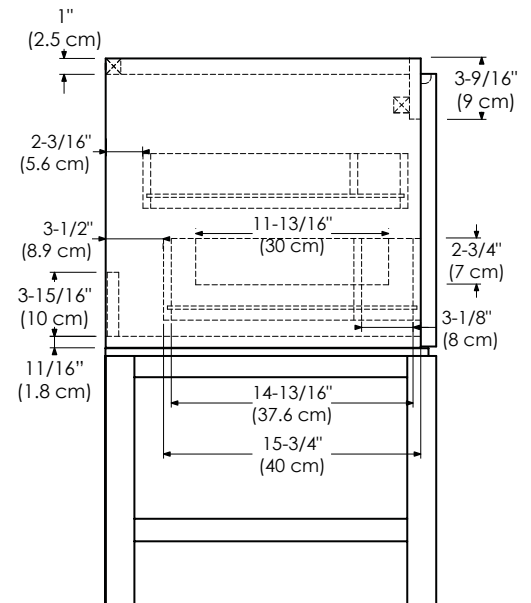
TOP VIEW



FRONT VIEW



SIDE VIEW



Soft close and Full Extension drawers with Dovetail construction  
 Under mount glides  
 Matching finish throughout the interior  
 Extend design with optional 12" Drawer Bridge  
 Decorative drawer with glass side panels  
 Optional Drawer Organizer and Motion Sensor LED Light  
 Matching Mirror, Medicine cabinet and Wall cabinet  
 One large drawer with hidden drawer

All Ronbow cabinets are made of solid hardwood or hardwood plywood and meet strict CARB Standards.  
 No particle Board or Micro-Density Fiberboard (MDF) are used.

Available finishes:

BLUSH TAUPE E01

SLATE GRAY E12

GLOSSY WHITE E23

Available tops:

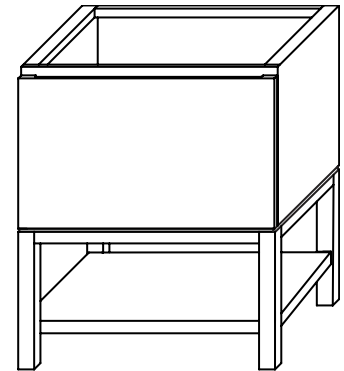
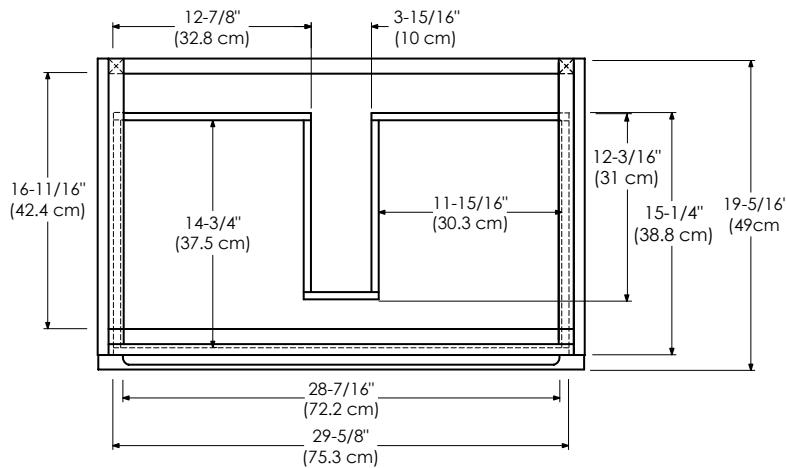
CERAMIC SINKTOP

GLASS SINKTOP

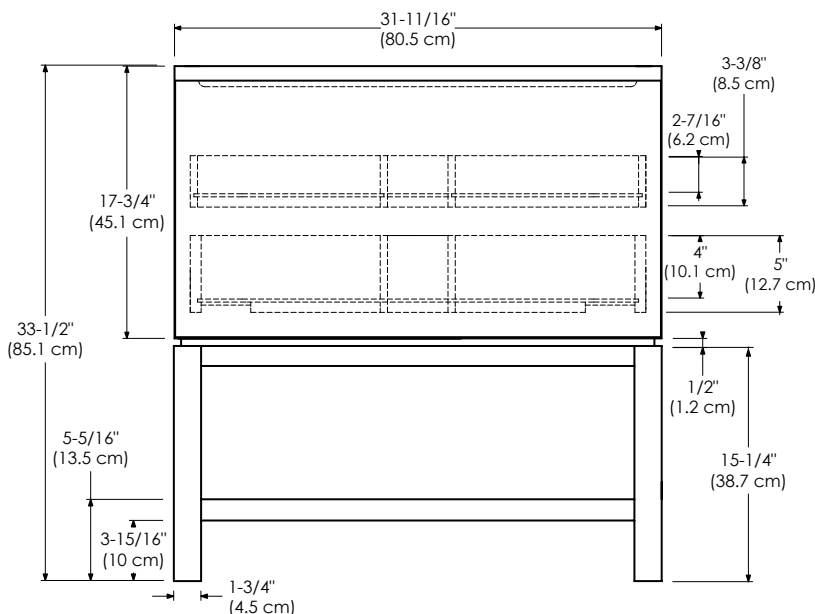
TECHSTONE™ TOP

WIDEAPPEAL™ TOP

TOP VIEW



FRONT VIEW



SIDE VIEW

