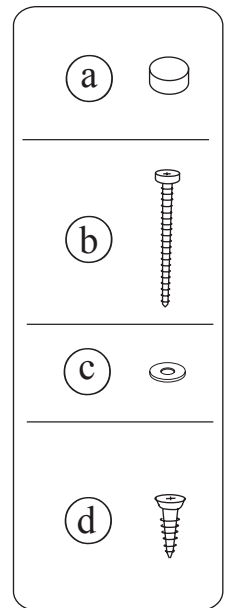
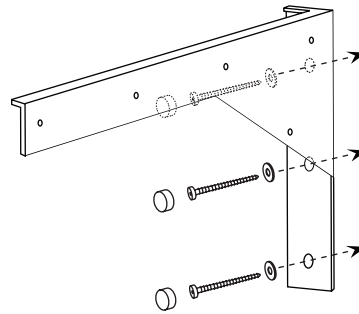
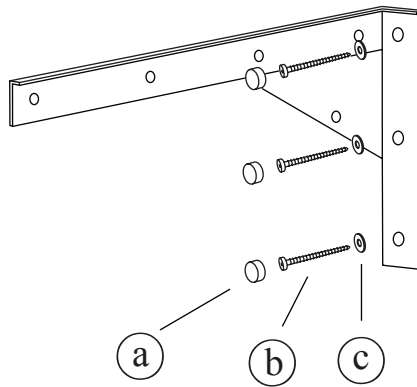


NOTE: (U.S. Customers) Please disregard Plastic Anchors in hardware kit.

When installing cabinet onto a hollow wall, the use of a horizontal reinforcement beam such as a 2" x 8" or 2" x 10" spanning at least two vertical studs is required.

Cabinets that are installed onto a hollow wall without a reinforcement beam will void the manufacturer warranty.

STEP 1:



STEP 2: Attach the cabinet to the wall bracket

