

MODEL: 080824-1-FINISH  
080824-3-FINISH

SPECIFICATION SHEET

MODULAR COLLECTION

- Soft Close Wood or Frosted Glass doors
- Soft Close and Full Extension drawers with Dovetail construction
- Undermount glides
- Matching finish throughout the interior
- Extend design with Optional 12", 15" & 18" Drawer Bank and 15" & 18" Linen Hutch
- Optional Drawer Organizer
- Matching Mirror, Medicine Cabinet, Overjohn Cabinet and Wall Cabinet

All Ronbow cabinets are made of solid hardwood or hardwood plywood and meet strict CARB Standards. No particle Board or Micro-Density Fiberboard (MDF) are used.

Available finishes:

DARK CHERRY H01

WHITE W01

Available fronts:

FROSTED GLASS DOORS

WOOD DOORS

Available tops:

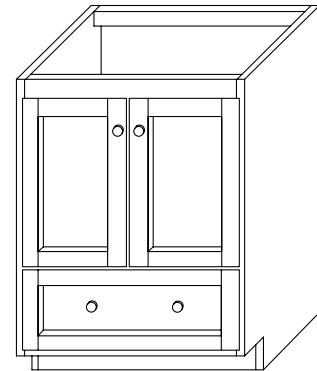
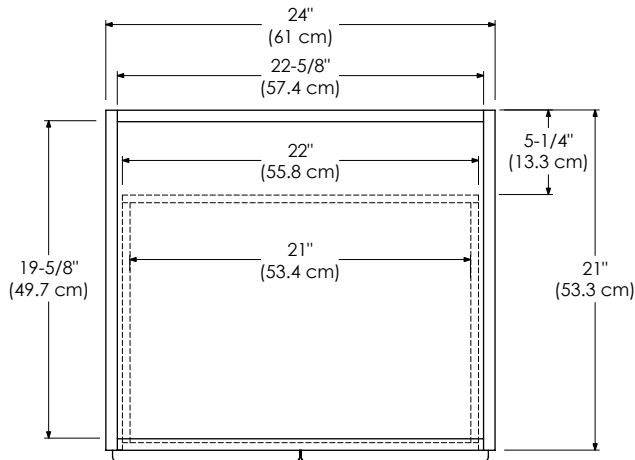
CERAMIC SINKTOP

STONE COUNTER

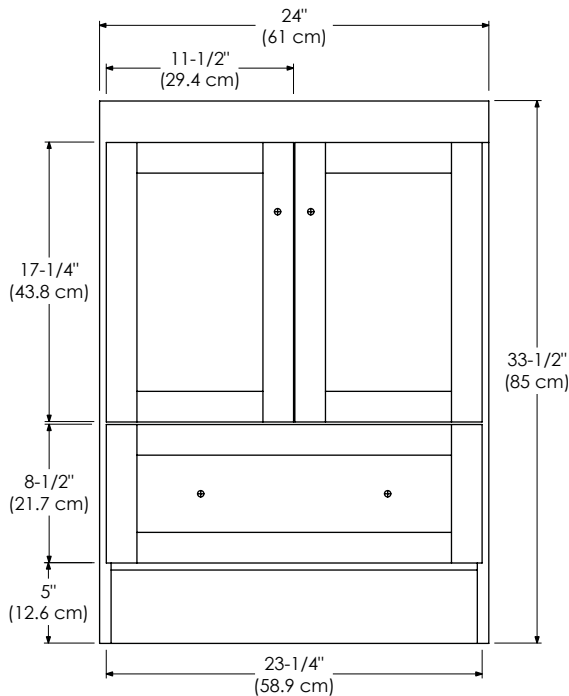
TECHSTONE™ TOP

WIDEAPPEAL™ TOP

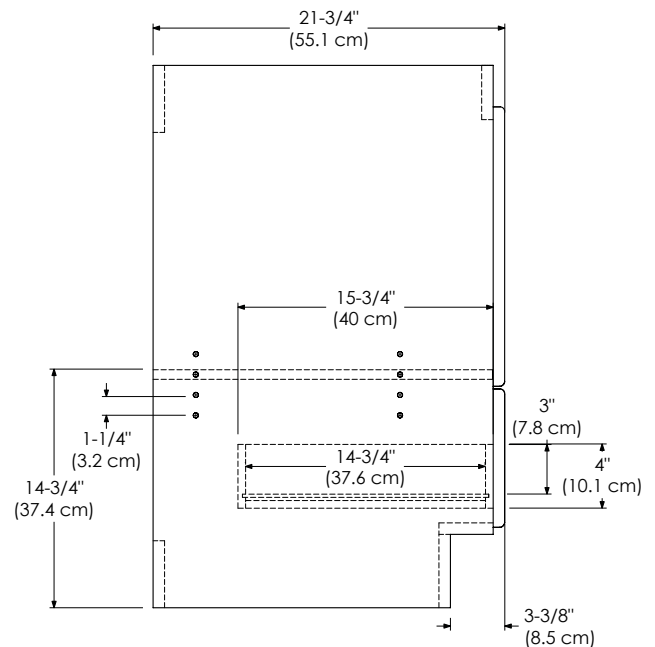
TOP VIEW



FRONT VIEW



SIDE VIEW



MODEL: 080830-1-FINISH  
080830-3-FINISH

SPECIFICATION SHEET

MODULAR COLLECTION

- Soft Close Wood or Frosted Glass doors
- Soft Close and Full Extension drawers with Dovetail construction
- Undermount glides
- Matching finish throughout the interior
- Extend design with Optional 12", 15" & 18" Drawer Bank and 15" & 18" Linen Hutch
- Optional Drawer Organizer
- Matching Mirror, Medicine Cabinet, Overjohn Cabinet and Wall Cabinet

All Ronbow cabinets are made of solid hardwood or hardwood plywood and meet strict CARB Standards. No particle Board or Micro-Density Fiberboard (MDF) are used.

Available finishes:

- DARK CHERRY H01
- WHITE W01

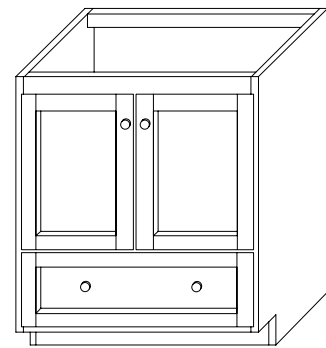
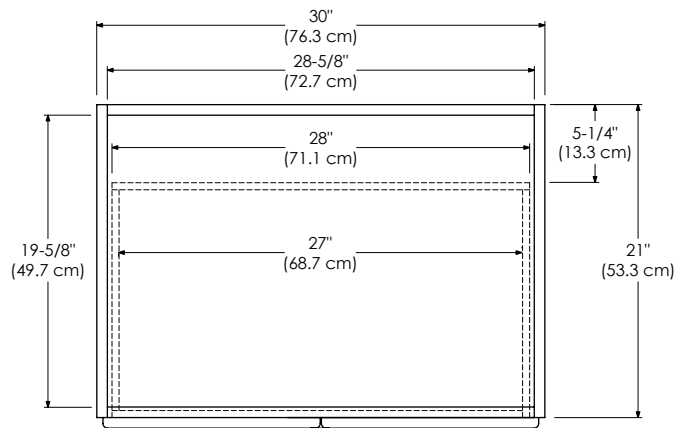
Available fronts:

- FROSTED GLASS DOORS
- WOOD DOORS

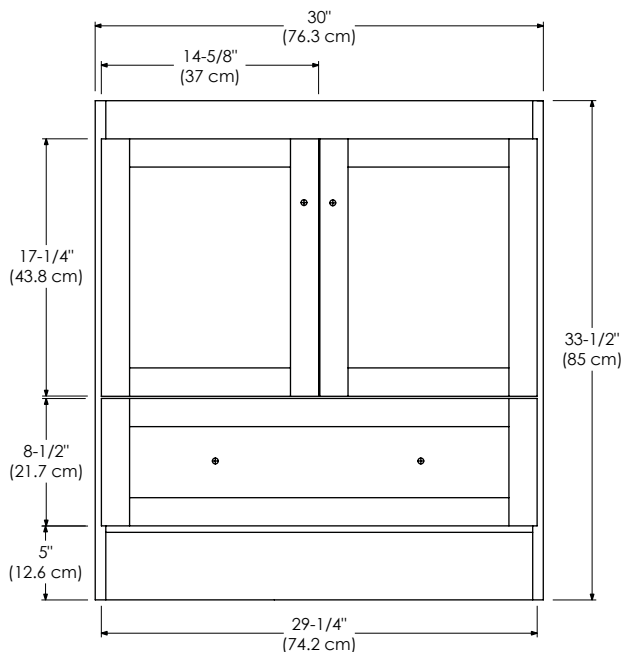
Available tops:

- CERAMIC SINKTOP
- STONE COUNTER
- TECHSTONE™ TOP
- WIDEAPPEAL™ TOP

TOP VIEW



FRONT VIEW



SIDE VIEW

