

- Soft Close Wood doors
- Soft Close and Full Extension drawers with Dovetail construction
- Under mount glides
- Matching finish throughout the interior
- Optional Metal Feet in Polished Chrome (PC) and Brushed Nickel (BN)
- Optional Drawer Organizer
- Matching Mirror and Medicine Cabinet
- Handles meet USA standards: 5" center to center

All Ronbow cabinets are made of solid hardwood or hardwood plywood and meet strict CARB Standards. No particle Board or Micro-Density Fiberboard (MDF) are used.

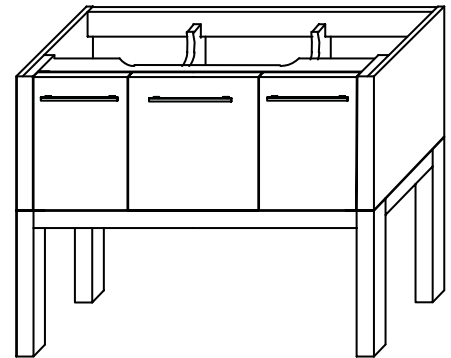
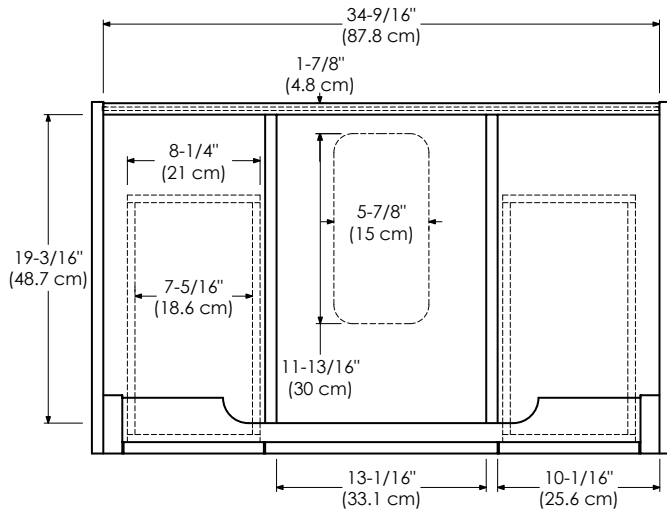
Available finishes:

- BLACK B02
- WHITE W01

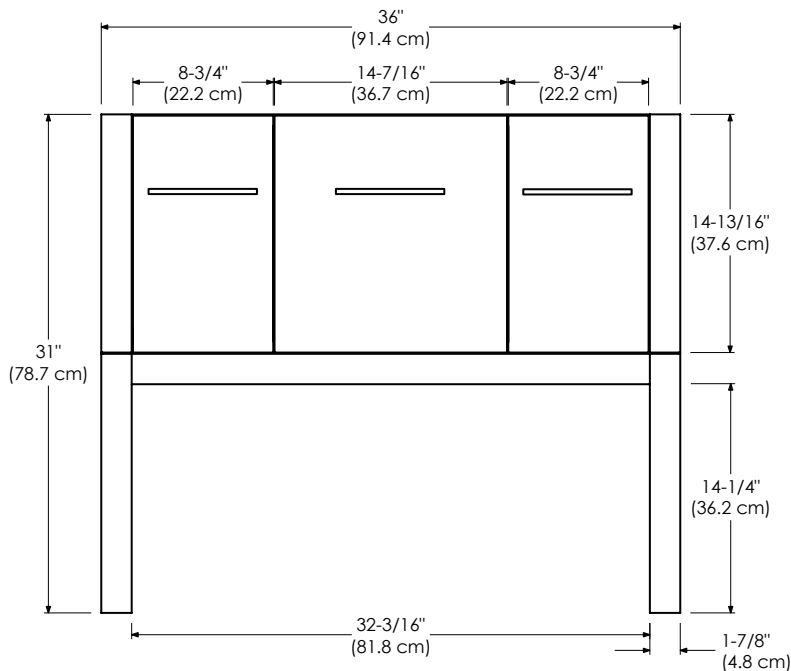
Available tops:

- CERAMIC SINKTOP
- STONE COUNTER
- TECHSTONE™ TOP
- WIDEAPPEAL™ TOP

TOP VIEW



FRONT VIEW



SIDE VIEW

