

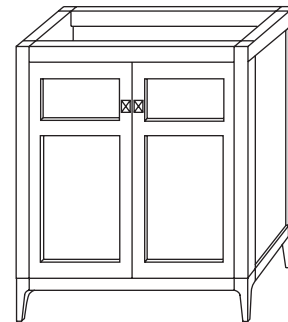
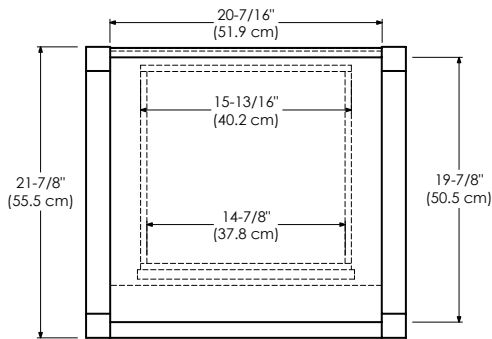
**Model:** 051724-3-FINISH

- Features:**
- Soft Close Wood doors
  - Soft close and Full Extension drawers with Dovetail construction
  - Under mount glides
  - Extend design with optional 12" Drawer bridge
  - Matching finish throughout the interior
  - Optional Drawer Organizer
  - Matching Mirror, Medicine Cabinet and Wall Cabinet
  - 2 Doors, 1 Hidden Drawer and 1 Interior Adjustable Shelf

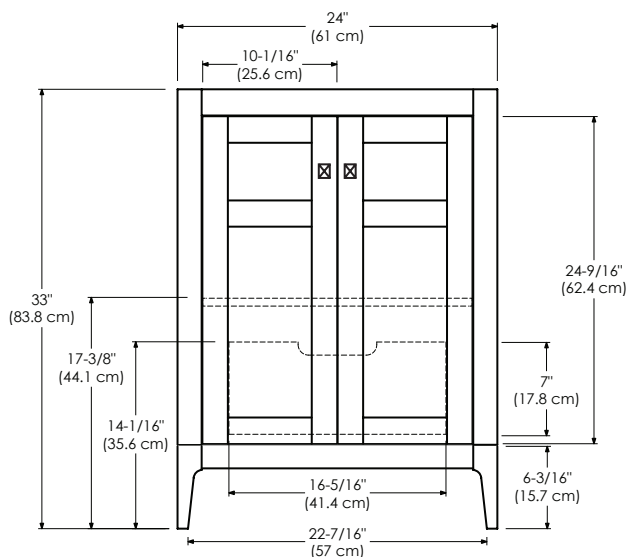
All Ronbow cabinets are made of solid hardwood or hardwood plywood and meet strict CARB Standards. No particle Board or Micro-Density Fiberboard (MDF) are used.

- |                     |                 |
|---------------------|-----------------|
| Available finishes: | Available tops: |
| AMERICAN WALNUT E56 | CERAMIC SINKTOP |
| EMPIRE GRAY F20     | TECHSTONE™ TOP  |
| OCEAN GRAY F21      | WIDEAPPEAL™ TOP |
| WHITE W01           |                 |

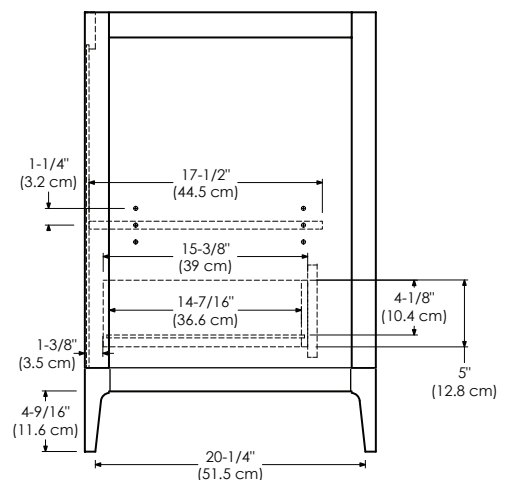
TOP VIEW



FRONT VIEW



SIDE VIEW



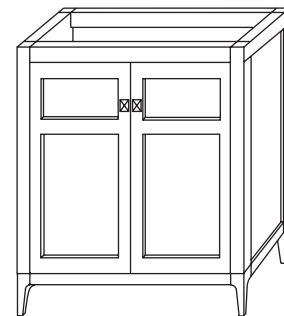
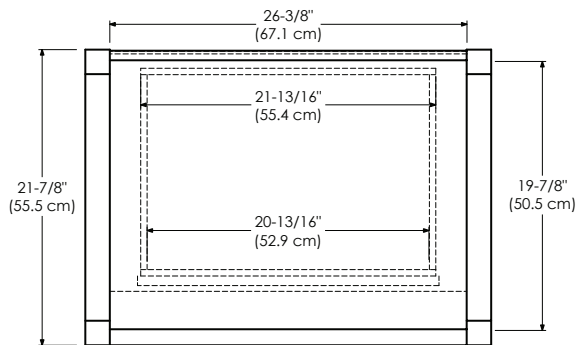
**Model:** 051730-3-FINISH

- Features:**
- Soft Close Wood doors
  - Soft close and Full Extension drawers with Dovetail construction
  - Under mount glides
  - Extend design with optional 12" Drawer bridge
  - Matching finish throughout the interior
  - Optional Drawer Organizer
  - Matching Mirror, Medicine Cabinet and Wall Cabinet
  - 2 Doors, 1 Hidden Drawer and 1 Interior Adjustable Shelf

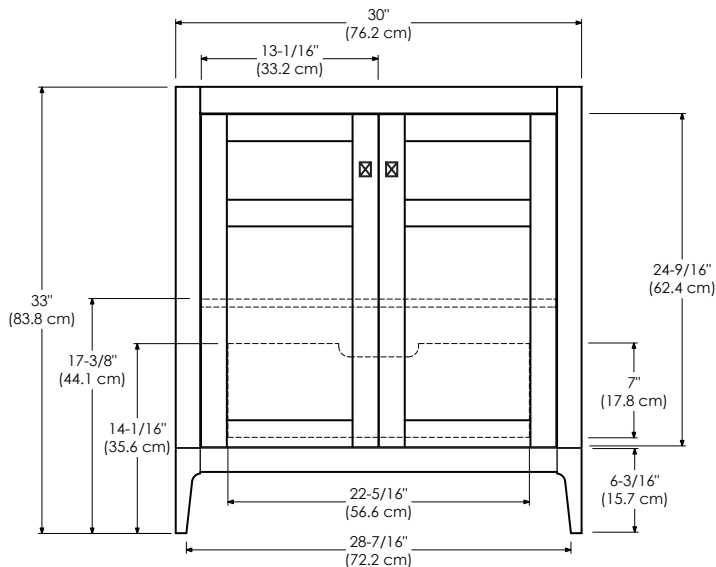
All Ronbow cabinets are made of solid hardwood or hardwood plywood and meet strict CARB Standards. No particle Board or Micro-Density Fiberboard (MDF) are used.

- |                     |                 |
|---------------------|-----------------|
| Available finishes: | Available tops: |
| AMERICAN WALNUT E56 | CERAMIC SINKTOP |
| EMPIRE GRAY F20     | TECHSTONE™ TOP  |
| OCEAN GRAY F21      | WIDEAPPEAL™ TOP |
| WHITE W01           |                 |

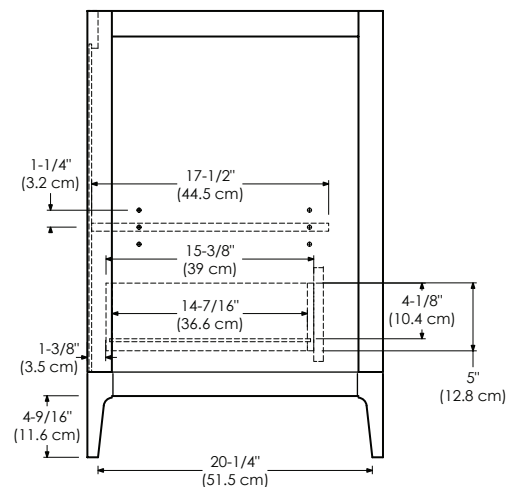
TOP VIEW



FRONT VIEW



SIDE VIEW



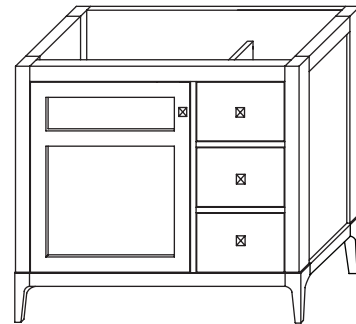
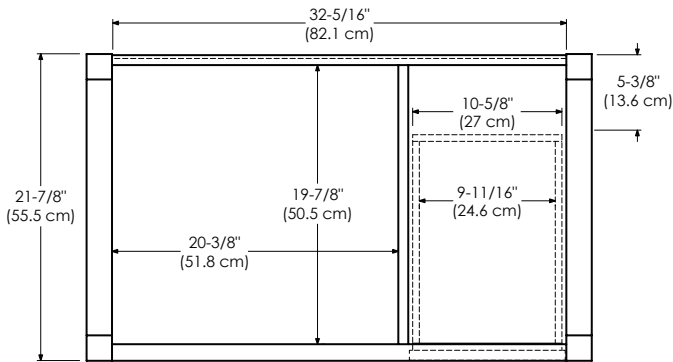
**Model:** 051736-3L-FINISH  
051736-3R-FINISH

- Features:**
- Soft Close Wood doors
  - Soft close and Full Extension drawers with Dovetail construction
  - Under mount glides
  - Extend design with optional 12" Drawer bridge
  - Matching finish throughout the interior
  - Optional Drawer Organizer
  - Matching Mirror, Medicine Cabinet and Wall Cabinet
  - 1 Doors, 3 Drawers and 1 Interior Adjustable Shelf
  - Door can be on left (L) or right side (R)

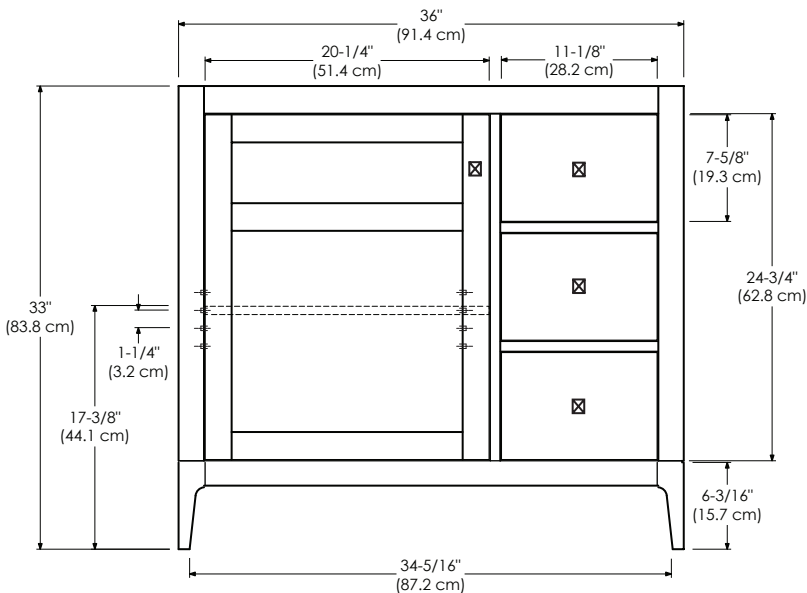
All Ronbow cabinets are made of solid hardwood or hardwood plywood and meet strict CARB Standards. No particle Board or Micro-Density Fiberboard (MDF) are used.

- |                     |                 |
|---------------------|-----------------|
| Available finishes: | Available tops: |
| AMERICAN WALNUT E56 | CERAMIC SINKTOP |
| EMPIRE GRAY F20     | TECHSTONE™ TOP  |
| OCEAN GRAY F21      | WIDEAPPEAL™ TOP |
| WHITE W01           |                 |

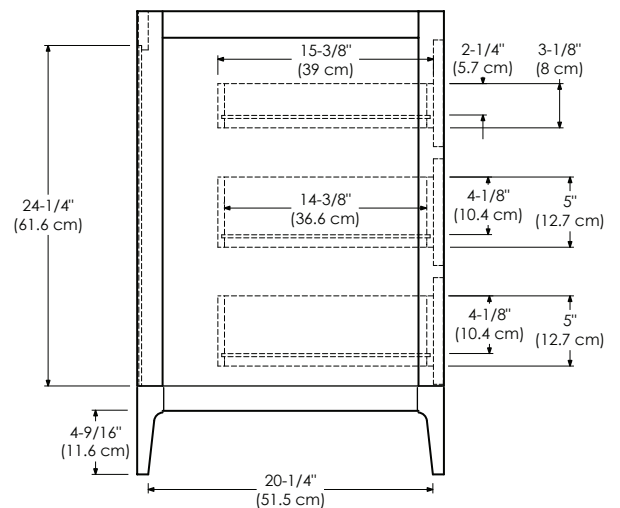
Shown door on the right  
TOP VIEW



FRONT VIEW



SIDE VIEW



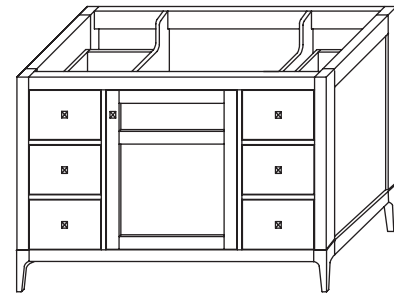
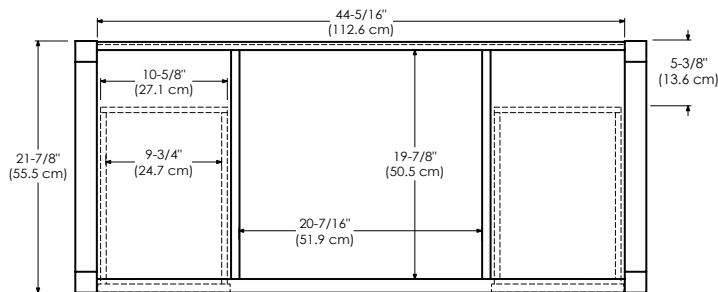
**Model:** 051748-3-FINISH  
051748-3-FINISH

- Features:**
- Soft Close Wood doors
  - Soft close and Full Extension drawers with Dovetail construction
  - Under mount glides
  - Extend design with optional 12" Drawer bridge
  - Matching finish throughout the interior
  - Optional Drawer Organizer
  - Matching Mirror, Medicine Cabinet and Wall Cabinet
  - 1 Doors, 6 Drawers and 1 Interior Adjustable Shelf

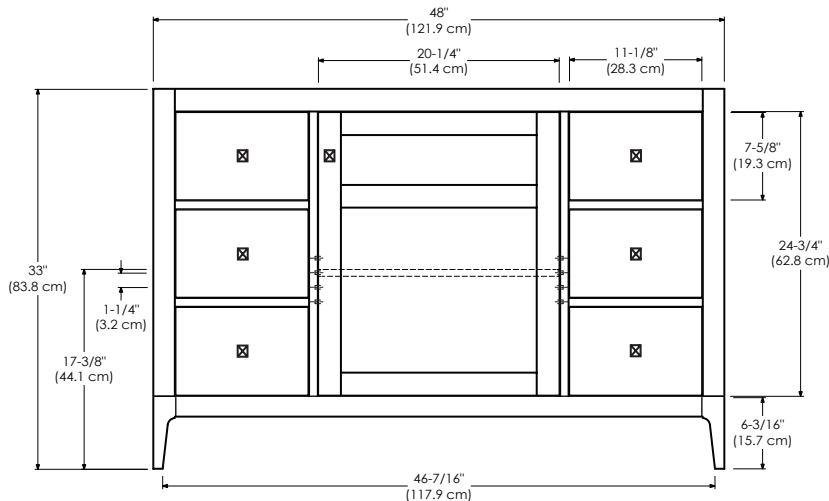
All Ronbow cabinets are made of solid hardwood or hardwood plywood and meet strict CARB Standards. No particle Board or Micro-Density Fiberboard (MDF) are used.

Available finishes:	Available tops:
AMERICAN WALNUT E56	CERAMIC SINKTOP
EMPIRE GRAY F20	TECHSTONE™ TOP
OCEAN GRAY F21	WIDEAPPEAL™ TOP
WHITE W01	

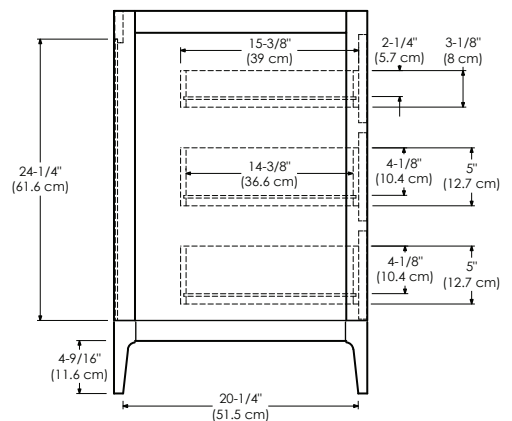
TOP VIEW



FRONT VIEW



SIDE VIEW

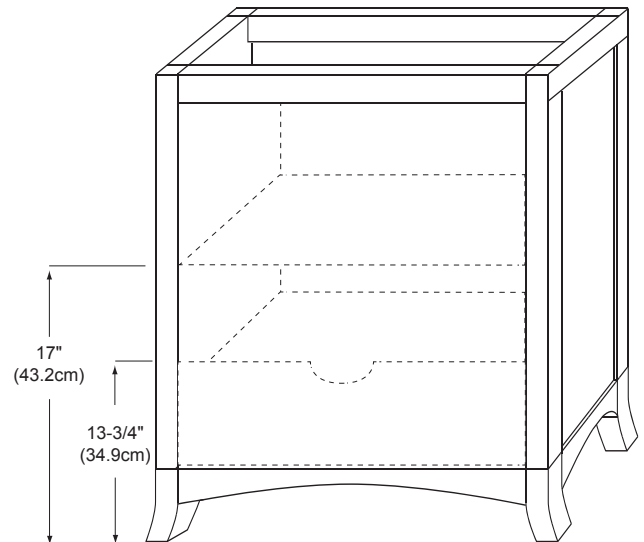
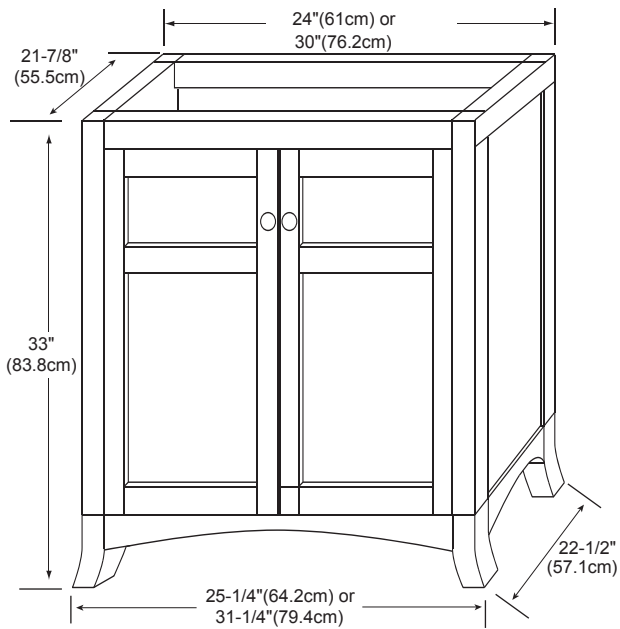


**Model:** 050524-3-FINISH  
050530-3-FINISH

**Features:** Soft Close Wood doors  
Soft Close and Full Extension drawers with Dovetail Construction  
Matching Finish throughout the Interior  
Extend design with Optional 12" Drawer Bridge  
Matching Mirror, Medicine Cabinet and Linen Tower  
2 Doors, 1 Hidden Drawer and 1 Interior Adjustable Shelf

All Ronbow cabinets are made of solid hardwood or hardwood plywood and meet strict CARB Standards. No particle Board or Micro-Density Fiberboard (MDF) are used.

Available finishes:	Available tops:
VINTAGE WALNUT F07	CERAMIC SINKTOP
WHITE W01	TECHSTONE™ TOP
	WIDEAPPEAL™ TOP

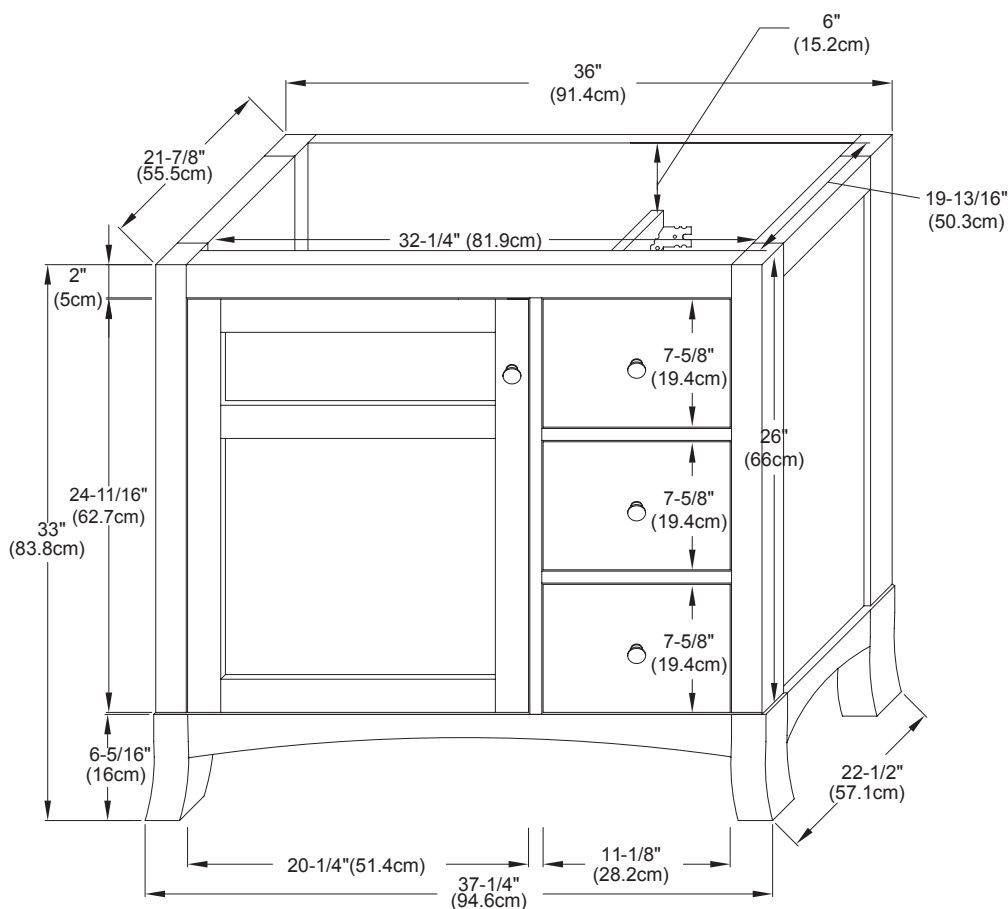


**Model:** 050536-3L-FINISH  
050536-3R-FINISH

- Features:**
- Soft Close Wood doors
  - Soft Close and Full Extension drawers with Dovetail Construction
  - Matching Finish throughout the Interior
  - Extend design with Optional 12" Drawer Bridge
  - Matching Mirror, Medicine Cabinet and Linen Tower
  - 1 Doors, 3 Drawer and 1 Interior Adjustable Shelf

All Ronbow cabinets are made of solid hardwood or hardwood plywood and meet strict CARB Standards. No particle Board or Micro-Density Fiberboard (MDF) are used.

- |                     |                 |
|---------------------|-----------------|
| Available finishes: | Available tops: |
| VINTAGE WALNUT F07  | CERAMIC SINKTOP |
| WHITE W01           | TECHSTONE™ TOP  |
|                     | WIDEAPPEAL™ TOP |



**Model:** 050548-3L-FINISH  
050548-3R-FINISH

**Features:** Soft Close Wood doors  
Soft Close and Full Extension drawers with Dovetail Construction  
Matching Finish throughout the Interior  
Extend design with Optional 12" Drawer Bridge  
Matching Mirror, Medicine Cabinet and Linen Tower  
1 Doors, 6 Drawer and 1 Interior Adjustable Shelf

All Ronbow cabinets are made of solid hardwood or hardwood plywood and meet strict CARB Standards. No particle Board or Micro-Density Fiberboard (MDF) are used.

Available finishes:  
VINTAGE WALNUT F07  
WHITE W01

Available tops:  
CERAMIC SINKTOP  
TECHSTONE™ TOP  
WIDEAPPEAL™ TOP

